



# User Manual

CORDLESS LEAF BLOWER  
BBT-ZE20BW01



+1 833 635 0955 [snapfresh@afterservice.vip](mailto:snapfresh@afterservice.vip)

**⚠** Read all safety rules and instructions carefully before operating this tool.





# CONTENTS

Contents .....	2
Symbols .....	3
Safety instructions .....	4-9
Machine information .....	9-10
Assembly .....	11-14
Operation .....	14
Maintenance .....	14
Environment .....	14
Warranty .....	15

# SYMBOLS

The following symbols are used in the user manual or on the product:

	Read the user manual.
	Denotes risk of personal injury, loss of life or damage to the tool in case of nonobservance of the instructions in this manual.
	Risk of electric shock.
	Risk of flying objects. Keep bystanders away from the work area.
	Do not expose to rain.
	Wear safety goggles. Wear hearing protection.
	Indoor use only.
	Class II machine - Double insulation - You don't need any earthed plug.
	Time-lag miniature fuse-link.
	Max temperature 45°C.
	Do not throw the battery into fire.
	Do not throw the battery into water.
	Separate collection for Li-ion battery.
	Do not dispose of the product in unsuitable containers.

# SAFETY INSTRUCTIONS

Read the enclosed safety warnings, the additional safety warnings and the instructions. Failure to follow the safety warnings and the instructions may result in electric shock, fire and/or serious injury. Save the safety warnings and the instructions for future reference.

## 1. GENERAL POWER TOOL SAFETY WARNINGS



**WARNING!** Read all safety warnings and all instructions. Failure to follow the warning and instructions may result in electric shock, fire and/or serious injury.

Save all warnings and instructions for future reference.

The term "power tool" in the warnings refers to your mains-operated (corded) power tool or battery-operated (cordless) power tool.

### 1) Work area safety

- Keep the work area clean and well lit. Cluttered or dark areas invite accidents.
- Do not operate power tools in explosive atmospheres, such as in the presence of flammable liquids, gases or dust. Power tools create sparks which may ignite the dust or fumes.
- Keep children and bystanders away while operating a power tool. Distractions can cause you to lose control.

### 2) Electrical safety

- Power tool plugs must match the outlet. Never modify the plug in any way. Do not use any adapter plugs with earthed (grounded) power tools. Unmodified plugs and matching outlets will reduce risk of electric shock.
- Avoid body contact with earthed or grounded surfaces, such as pipes, radiators, ranges and refrigerators. There is an increased risk of electric shock if your body is earthed or grounded.
- Do not expose power tools to rain or wet conditions. Water entering a power tool will increase the risk of electric shock.
- Do not abuse the cord. Never use the cord for carrying, pulling or unplugging the power tool. Keep cord away from heat, oil, sharp edges or moving parts. Damaged or entangled cords increase the risk of electric shock.
- When operating a power tool outdoors, use an extension cord suitable for outdoor use. Use of a cord suitable for outdoor use reduces the risk of electric shock.
- If operating a power tool in a damp location is unavoidable, use a residual current device (RCD) protected supply. Use of an RCD reduces the risk of electric shock.

### 3) Personal safety

- Stay alert, watch what you are doing and use common sense when operating a power tool. Do not use a power tool while you are tired or under the influence of drugs, alcohol or medication. A moment of inattention while operating power tools may result in serious personal injury.
- Use personal protective equipment. Always wear eye protection. Protective equipment such as dust mask, non-skid safety shoes, hard hat, or hearing protection used for appropriate conditions will reduce personal injuries.



- **Prevent unintentional starting.** Ensure the switch is in the off-position before connecting to power source and/or battery pack, picking up or carrying the tool. Carrying power tools with your finger on the switch or energising power tools that have the switch on invites accidents.
- **Remove any adjusting key or wrench before turning the power tool on.** A wrench or a key left attached to a rotating part of the power tool may result in personal injury.
- **Do not overreach. Keep proper footing and balance at all times.** This enables better control of the power tool in unexpected situations.
- **Dress properly. Do not wear loose clothing or jewellery. Keep your hair, clothing and gloves away from moving parts.** Loose clothes, jewellery or long hair can be caught in moving parts.
- **If devices are provided for the connection of dust extraction and collection facilities, ensure these are connected and properly used.** Use of dust collection can reduce dust related hazards.
- **Do not let familiarity gained from frequent use of tools allow you to become complacent and ignore tool safety principles.** A careless action can cause severe injury within a fraction of a second.

#### 4) Power tool use and care

- **Do not force the power tool. Use the correct power tool for your application.** The correct power tool will do the job better and safer at the rate for which it was designed.
- **Do not use the power tool if the switch does not turn it on and off.** Any power tool that cannot be controlled with the switch is dangerous and must be repaired.
- **Disconnect the plug from the power source and/or the battery pack from the power tool before making any adjustments, changing accessories, or storing power tools.** Such preventive safety measures reduce the risk of starting the power tool accidentally.
- **Store idle power tools out of the reach of children and do not allow persons unfamiliar with the power tool or these instructions to operate the power tool.** Power tools are dangerous in the hands of untrained users.
- **Maintain power tools. Check for misalignment or binding of moving parts, breakage of parts and any other condition that may affect the power tool's operation. If damaged, have the power tool repaired before use.** Many accidents are caused by poorly maintained power tools.
- **Keep cutting tools sharp and clean.** Properly maintained cutting tools with sharp cutting edges are less likely to bind and are easier to control.
- **Use the power tool, accessories and tool bits etc. in accordance with these instructions, taking into account the working conditions and the work to be performed.** Use of the power tool for operations different from those intended could result in a hazardous situation.
- **Keep handles and grasping surfaces dry, clean and free from oil and grease.** Slippery handles and grasping surfaces do not allow for safe handling and control of the tool in unexpected situations.

#### 5) Battery tool use and care

- **Recharge only with the charger specified by the manufacturer.** A charger that is suitable for one type of battery pack may create a risk of fire when used with another battery pack.
- **Use power tools only with specifically designated battery packs.** Use of any other battery packs may create a risk of injury and fire.
- **When battery pack is not in use, keep it away from other metal objects, like paper clips, coins, keys, nails, screws or other small metal objects that can make a connection from one terminal to another.** Shorting the battery terminals together may cause burns or a fire.

- **Under abusive conditions, liquid may be ejected from the battery; avoid contact. If contact accidentally occurs, flush with water. If liquid contacts eyes, additionally seek medical help.** Liquid ejected from the battery may cause irritation or burns.
- **Do not use a battery pack or tool that is damaged or modified.** Damaged or modified batteries may exhibit unpredictable behaviour resulting in fire, explosion or risk of injury.
- **Do not expose a battery pack or tool to fire or excessive temperature.** Exposure to fire or temperature above 130 °C may cause explosion. NOTE The temperature „130 °C“ can be replaced by the temperature „265 °F“.
- **Follow all charging instructions and do not charge the battery pack or tool outside the temperature range specified in the instructions.** Charging improperly or at temperatures outside the specified range may damage the battery and increase the risk of fire.

## 6) Service

- **Have your power tool serviced by a qualified repair person using only identical replacement parts.** This will ensure that the safety of the power tool is maintained.
- **Never service damaged battery packs.** Service of battery packs should only be performed by the manufacturer or authorized service providers.

## 2. ADDITIONAL SAFETY WARNINGS FOR BLOWER/VACS

- Dispose of plastic bags safely - they are a suffocation hazard for young children.
- Keep the area you are working in clean and tidy. Do not use power tools in the rain or wet environments.
- We strongly recommend the use of an RCD (Residual Current Device) of not more than 30 mA, at the plug socket when using this appliance.
- Do not use power tools where there is a risk of fire or explosion - i.e. near flammable liquids or gases.
- Do not allow people especially children or pets into the area where you are working.
- Do not let children or other people touch power tools.
- Store in a dry place well out of reach of children.
- Always use safety glasses. We also recommend the use of ear protectors.
- Wear the right clothes (long trousers) - not loose fitting or jewellery and ensure garments cannot come into contact with moving parts.
- Wear non-slip shoes. Do not wear sandals or open-toed shoes.
- If you have long hair, tie it back safely to avoid tangling it in moving parts.
- Before using any power tool, check first for damaged parts and if found do not use them before the part or parts have been replaced with new ones.
- Do not use power tools when you are tired or have been drinking alcohol.
- Do not overreach while working - you may lose your balance.
- You must switch off your tool at the tool's on/off switch after use.
- Only use this appliance for its intended purpose - blowing or sucking up leaves.
- Do not point the blower at people or animals.
- Do not blow debris in the direction of people or animals.
- Operate the appliance only in daylight or in a good artificial light.
- Do not place your hand inside the blower tube until the blower has been switched off and the plug removed from the power supply.
- Only use extension leads that are suitable for outdoor use. The cord must be kept away from excessive heat, oil, solvents and sharp edges.
- Periodically check that all bolts and screws are tight.
- The operator or user is responsible for accidents or hazards occurring to other people or their property.
- To prevent dust irritation we recommend the wearing of a face mask.
- Always direct the cable to the rear away from the appliance.
- Do not carry the appliance by the cable.
- Disconnect the appliance from the mains supply.
- Before clearing a blockage.
- Before checking, cleaning or maintaining the appliance.
- If the appliance starts to vibrate abnormally.
- Whenever you leave the machine.
- Always be sure of your footing on slopes.
- Walk, never run.

- Keep all cooling air inlets clear of debris or obstructions.
- Keep all nuts, bolts and screws tight to be sure the appliance is in safe working condition.
- Check the debris collector frequently for wear or deterioration.
- Replace worn or damaged parts.
- Use only genuine replacement parts and accessories.

**Immediately switch off the machine when:**

- Excessive sparking of the carbon brushes and clutter in the collector.
- Interruption of the mains plug, mains lead or mains lead damage.
- Defect switch.
- Smoke or stench of scorched isolation.

### **3. SAFETY WARNINGS FOR BATTERY**

- **Do not open the battery.** Danger of shortcircuiting.
- **Protect the battery against heat, e. g., against continuous intense sunlight, fire, water, and moisture.** Danger of explosion.
- **In case of damage and improper use of the battery, vapours may be emitted. Ventilate the area and seek medical help in case of complaints.** The vapours can irritate the respiratory system.
- **Use the battery only in conjunction with your SnapFresh product.** This measure alone protects the battery against dangerous overload.
- **The battery can be damaged by pointed objects such as nails or screwdrivers or by force applied externally.** An internal short circuit can occur and the battery can burn, smoke, explode or overheat.

### **4. SAFETY WARNINGS FOR CHARGER**

**Intended use**

Charge only BBT-DC20A and BBT-DC40A type rechargeable battery packs with the charger. Other types of batteries may burst causing personal injury and damage.

- **The appliance is not to be used by persons (including children) with reduced physical, sensory or mental capabilities, or lack of experience and knowledge, unless they have been given supervision or instruction.**
- **Children being supervised not to play with the appliance.**
- **Do not recharging non-rechargeable batteries!**
- **During charging, batteries must be placed in the well ventilated area!**

## Electrical safety



Always check that the voltage of the power supply corresponds to the voltage on the rating plate.

- Do not use the machine if the mains cable or the mains plug is damaged.
- Only use extension cables that are suitable for the power rating of the machine with a minimum thickness of 1.5 mm<sup>2</sup>. If you use an extension cable reel, always fully unroll the cable.


# MACHINE INFORMATION


## Intended use

The leaf blowers are developed to remove leaves from the street, garden and lawn. A fan inside the leaf blower causes a flow of air, which can be used to blow leaves away.

## TECHNICAL SPECIFICATIONS

<b>Model No.</b>	<b>BBT- ZE20BW01</b>
Rated voltage	20V
Max. load speed	150MPH
Max. air velocity	180CFM
Weight	1.18kg
Sound pressure level L <sub>PA</sub>	78.8 dB(A) K=2.5 dB(A)
Sound power level L <sub>WA</sub>	88.2 dB(A) K=1.04 dB(A)
Vibration value	3.069 m/s <sup>2</sup> K=1.5 m/s <sup>2</sup>

<b>Model Number</b>	<b>BBT- DC20A</b>
Battery type	Lithium-ion
Voltage	20V 
Capacity	2.0 Ah
Recommended charger	BBT-YFT20V
Weight	0.36 kg

<b>Model Number</b>	<b>BBT-YFT20V</b>
Charger input	100-120V~60Hz 65W
Charger output	21V  2.5A
Charging time 2Ah battery	60 minutes
Charging time 4Ah battery	120 minutes
Recommended batteries	BBT-DC20A, BBT-DC40A
Weight	0.36 kg

Only use the following batteries of the SnapFresh power 20V battery platform. Using any other batteries could cause serious injury or damage the tool.

BBT-DC20A 20V, 2Ah Lithium-ion

BBT-DC40A 20V, 4Ah Lithium-ion

The following charger can be used to charge these batteries.

BBT-YFT20V Quick charger



The batteries of the SnapFresh power 20V battery platform are interchangeable with all the SnapFresh power 20V battery platform tools.

#### **Vibration level**

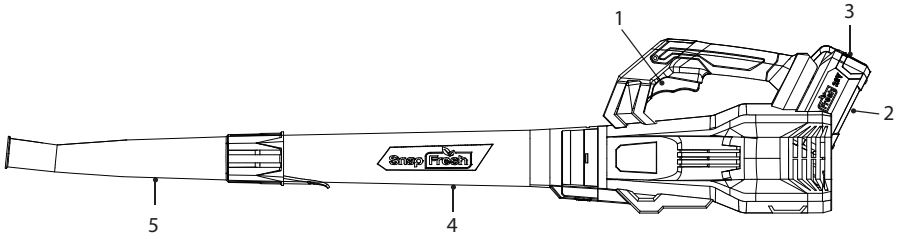
The vibration emission level stated in this instruction manual has been measured. It may be used to compare one tool with another and as a preliminary assessment of exposure to vibration when using the tool for the applications mentioned.

- Using the tool for different applications, or with different or poorly maintained accessories, may significantly increase the exposure level.
- The times when the tool is switched off or when it is running but not actually doing the job, may significantly reduce the exposure level.

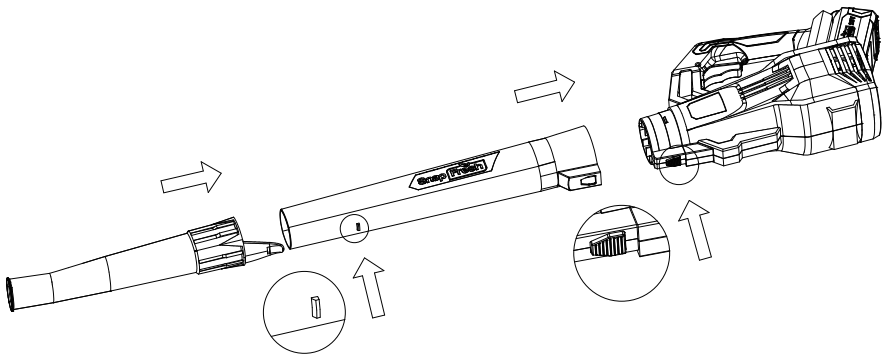
Protect yourself against the effects of vibration by maintaining the tool and its accessories, keeping your hands warm, and organizing your work patterns.

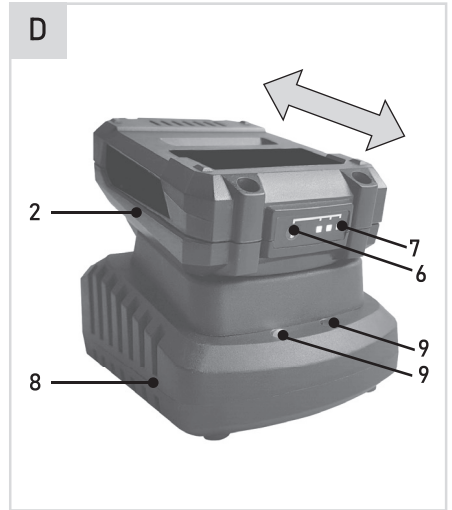
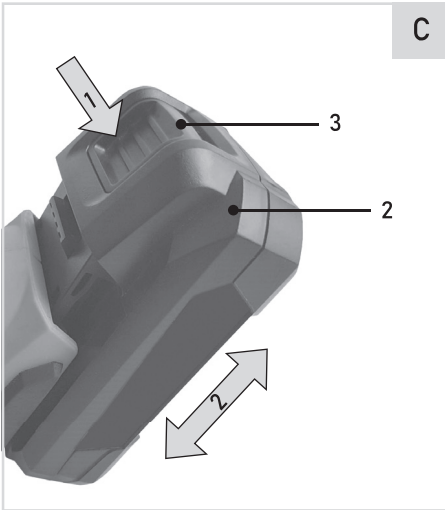
# ASSEMBLY

A



B





Before any work on the power tool, remove the battery.



The battery must be charged before first use.

## DESCRIPTION

The numbers in the text refer to the diagrams on page 11-12

1. On/Off button
2. Battery
3. Battery unlock button
4. Upper tube
5. Lower tube
6. Battery LED indicators button
7. Battery LED indicators
8. Charger
9. Charger LED indicators

### Inserting the battery into the machine (Fig. A, C)



Ensure that the exterior of the battery is clean and dry before connecting to the charger or machine.



- Insert the battery (2) into the base of the machine as shown in Fig. C.
- Push the battery further forward until it clicks into place.

#### Removing the battery from the machine (Fig. A, C)

- Push the battery unlock button (3).
- Pull the battery out of the machine like shown

#### Checking the battery charging status (Fig. D)

- To check the battery charge status, push the button (6) on battery shortly.
- The battery has 3 lights indicating the charge level, the more lights that burn, the more charge the battery has left.
- When the lights are not burning it means the battery is empty and must be charged immediately.

#### Charging the battery with the charger (Fig. D)

- Take the battery (2) from the machine.
- Turn the battery (2) to upside down position and slide it onto the charger (8) as shown in Fig. D.
- Push the battery until it is fully pushed into the slot.
- Plug the charger plug into an electrical outlet and wait for a while. The LED indicators(10) charger(13) will lighten up and show the charger status.

The charger has 2 LED indicators (9) which indicate the status of the charging process:

Red LED Status	Green LED status	Charger status
Off	Off	No power
Off	On	Standby mode: -No battery is inserted or, -Battery inserted but charging has finished
On	Off	Battery charging in progress

- Fully charging the 2Ah battery may take up to 60 minutes.
- Fully charging the 4Ah battery may take up to 120 minutes.

After the battery is fully charged, remove the charger plug from the outlet and remove the battery from the charger.



When the machine is not being used over a longer period of time it is best to store the battery in charged condition.

#### Assembling the tubes (Fig. B)



Always remove the battery before mounting an accessory.

- Slide the upper tube (4) onto the motor housing until it clicks into place.
- Slide the lower tube (5) onto the upper tube (4) until it clicks into place.

## OPERATION

#### Switching the machine on (Fig. A)

To switch on the leaf blower, press the On/Off switch (1)

#### Switching the machine off (Fig. A)

Loose the On/Off switch (1)

## MAINTENANCE



Before cleaning and maintenance, always switch off the machine and remove the battery pack from the machine.

Clean the machine casings regularly with a soft cloth, preferably after each use. Make sure that the ventilation openings are free of dust and dirt. Remove very persistent dirt using a soft cloth moistened with soapsuds. Do not use any solvents such as gasoline, alcohol, ammonia, etc. Chemicals such as these will damage the synthetic components.

## ENVIRONMENT



Faulty and/or discarded electrical or electronic apparatus have to be collected at the appropriate recycling locations.

# WARRANTY

Ningbo Babytec Technology Co., Ltd (Hereinafter referred to as Babytec) warrants this product against defects in materials and/or workmanship under normal use for a period of ONE (1) YEAR from the date of purchase by the original purchaser ('Warranty Period').

The following circumstances are excluded from this guarantee:

- Repairs and or alterations have been made or attempted to the machine by unauthorized service centers;
- Normal wear and tear;
- The tool has been abused, misused or improperly maintained;
- Non-original spare parts have been used.

If a defect arises and a valid claim is received within the Warranty Period, at its option, Babytec will either 1) repair the defect at no charge, using new or refurbished replacement parts, or 2) replace the product with a new product that is at least functionally equivalent to the original product, or provide a store credit in the amount of the purchase price of the original product. A replacement product or part, including a part installed in accordance with instructions product by Babytec, assumes the remaining warranty of the original product. When a product or part is exchanged, any replacement item becomes your property and the replaced item becomes Babytec's property. When a store credit is given, the original product must be returned to Babytec and becomes Babytec's property. To obtain warranty service, e-mail Babytec Warranty Service at [snapfresh@afterservice.vip](mailto:snapfresh@afterservice.vip). Please be prepared to describe the product that needs service and the nature of the problem.

Scan here to contact us

[24Hrs Online]



<https://snapfresh.afterservice.vip>



+1 833 635 0955

(Monday - Friday 9 a.m. - 5 p.m. EST / 6 a.m. - 2 p.m. PST)

All rights reserved by Ningbo Babytec Technology Co.,Ltd

