



# User Manual

## CORDLESS IMPACT WRENCH BBT-POB06



Please scan the QR CODE for more services.

+1 833 635 0955 [support@snapfreshtools.com](mailto:support@snapfreshtools.com)

**⚠** Read all safety rules and instructions carefully before operating this tool.





# CONTENTS

Contents ..... 2

Symbols ..... 3

Safety instructions ..... 4-7

Machine information ..... 8-9

Operation ..... 9-11

Maintenance ..... 11

Warranty .....12

# SYMBOLS

The rating plate on your tool and the manual cover may show certain symbols. These represent important information about the product or instructions on its use.

	<p>Hearing, sight and respiratory protection must be worn.</p>		<p>Read the manual carefully before use.</p>
	<p>Double insulated for additional protection.</p>		<p>1h charging time.</p>
	<p>Conforms to relevant safety standards.</p>		<p>Short-circuit proof safety isolating transformer.</p>
	<p>130 C thermal fuse.</p>		<p>Do not expose the battery pack to heat in excess of 40 C.</p>
	<p>Do not dispose of batteries in fire They will explode and cause injury.</p>		<p>Do not dispose of batteries in water.</p>
	<p>Polarities of DC connector.</p>		<p>Danger, take care.</p>
	<p>Indoor use only.</p>		<p>Dangerous voltage.</p>
	<p>Waste electrical and electronic equipment (WEEE), should not be disposed of with household waste. please recycle where facilities exist. check with your local authority or retailer for recycling advice.</p>		<p>Contains lithium-ion.</p>

# SAFETY INSTRUCTIONS

Read the enclosed safety warnings, the additional safety warnings and the instructions. Failure to follow the safety warnings and the instructions may result in electric shock, fire and/or serious injury. Save the safety warnings and the instructions for future reference.

## GENERAL POWER TOOL SAFETY WARNINGS



**WARNING!** Read all safety warnings and all instructions. Failure to follow the warning and instructions may result in electric shock, fire and/or serious injury.

Save all warnings and instructions for future reference.

The term "power tool" in the warnings refers to your mains-operated (corded) power tool or battery-operated (cordless) power tool.

### 1) Work area safety

- **Keep the work area clean and well lit.** Cluttered or dark areas invite accidents.
- **Do not operate power tools in explosive atmospheres, such as in the presence of flammable liquids, gases or dust.** Power tools create sparks which may ignite the dust or fumes.
- **Keep children and bystanders away while operating a power tool.** Distractions can cause you to lose control.

### 2) Electrical safety

- **Power tool plugs must match the outlet.** Never modify the plug in any way. Do not use any adapter plugs with earthed (grounded) power tools. Unmodified plugs and matching outlets will reduce risk of electric shock.
- **Avoid body contact with earthed or grounded surfaces, such as pipes, radiators, ranges and refrigerators.** There is an increased risk of electric shock if your body is earthed or grounded.
- **Do not expose power tools to rain or wet conditions.** Water entering a power tool will increase the risk of electric shock.
- **Do not abuse the cord.** Never use the cord for carrying, pulling or unplugging the power tool. Keep cord away from heat, oil, sharp edges or moving parts. Damaged or entangled cords increase the risk of electric shock.
- **When operating a power tool outdoors, use an extension cord suitable for outdoor use.** Use of a cord suitable for outdoor use reduces the risk of electric shock.
- **If operating a power tool in a damp location is unavoidable, use a Residual Current Device (RCD) protected supply.** Use a RCD to reduce the risk of electric shock.

### 3) Personal safety

- **Stay alert, watch what you are doing and use common sense when operating a power tool. Do not use a power tool while you are tired or under the influence of drugs, alcohol or medication.** A moment of inattention while operating power tools may result in serious personal injury.
- **Use personal protective equipment. Always wear eye protection.** Protective equipment such as dust mask, non-skid safety shoes, hard hat, or hearing protection used for appropriate conditions will reduce personal injuries.

- **Prevent unintentional starting.** Ensure the switch is in the off-position before connecting to power source and/or battery pack, picking up or carrying the tool. Carrying power tools with your finger on the switch or energising power tools that have the switch on invites accidents.
- **Remove any adjusting key or wrench before turning the power tool on.** A wrench or a key left attached to a rotating part of the power tool may result in personal injury.
- **Do not overreach. Keep proper footing and balance at all times.** This enables better control of the power tool in unexpected situations.
- **Dress properly. Do not wear loose clothing or jewellery. Keep your hair, clothing and gloves away from moving parts.** Loose clothes, jewellery or long hair can be caught in moving parts.
- **If devices are provided for the connection of dust extraction and collection facilities, ensure these are connected and properly used.** Use of dust collection can reduce dust related hazards.
- **Do not let familiarity gained from frequent use of tools allow you to become complacent and ignore tool safety principles.** A careless action can cause severe injury within a fraction of a second.

#### 4) Power tool use and care

- **Do not force the power tool. Use the correct power tool for your application.** The correct power tool will do the job better and safer at the rate for which it was designed.
- **Do not use the power tool if the switch does not turn it on and off.** Any power tool that cannot be controlled with the switch is dangerous and must be repaired.
- **Disconnect the plug from the power source and/or the battery pack from the power tool before making any adjustments, changing accessories, or storing power tools.** Such preventive safety measures reduce the risk of starting the power tool accidentally.
- **Store idle power tools out of the reach of children and do not allow persons unfamiliar with the power tool or these instructions to operate the power tool.** Power tools are dangerous in the hands of untrained users.
- **Maintain power tools. Check for misalignment or binding of moving parts, breakage of parts and any other condition that may affect the power tool's operation. If damaged, have the power tool repaired before use.** Many accidents are caused by poorly maintained power tools.
- **Keep cutting tools sharp and clean.** Properly maintained cutting tools with sharp cutting edges are less likely to bind and are easier to control.
- **Use the power tool, accessories and tool bits etc. in accordance with these instructions, taking into account the working conditions and the work to be performed.** Use of the power tool for operations different from those intended could result in a hazardous situation.
- **Keep handles and grasping surfaces dry, clean and free from oil and grease.** Slippery handles and grasping surfaces do not allow for safe handling and control of the tool in unexpected situations.

#### 5) Battery tool use and care

- **Recharge only with the charger specified by the manufacturer.** A charger that is suitable for one type of battery pack may create a risk of fire when used with another battery pack.
- **Use power tools only with specifically designated battery packs.** Use of any other battery packs may create a risk of injury and fire.
- **When the battery pack is not in use, keep it away from other metal objects, like paper clips, coins, keys, nails, screws or other small metal objects that can make a connection from one terminal to another.** Shorting the battery terminals together may cause burns or a fire.
- **Under abusive conditions, liquid may be ejected from the battery; avoid contact. If contact accidentally occurs, flush with water. If liquid contacts eyes, additionally seek medical help.** Liquid ejected from the battery may cause irritation or burns.

- **Do not use a battery pack or tool that is damaged or modified.** Damaged or modified batteries may exhibit unpredictable behaviour resulting in fire, explosion or risk of injury.
- **Do not expose a battery pack or tool to fire or excessive temperature.** Exposure to fire or temperature above 130 °C may cause explosion. NOTE The temperature "130 °C" can be replaced by the temperature "265 °F".
- **Follow all charging instructions and do not charge the battery pack or tool outside the temperature range specified in the instructions.** Charging improperly or at temperatures outside the specified range may damage the battery and increase the risk of fire.

## 6) Service

- **Have your power tool serviced by a qualified repair person using only identical replacement parts.** This will ensure that the safety of the power tool is maintained.
- **Never service damaged battery packs.** Service of battery packs should only be performed by the manufacturer or authorized service providers.

## ADDITIONAL SAFETY RULES FOR WRENCH

- Hold tool by insulated gripping surfaces when performing an operation where the cutting tool may contact hidden wiring or its own cord. Contact with a "live" wire will make exposed metal parts of the tool "live" and shock the operator.
- Wear ear protectors when impact driving. Noise exposure can cause hearing loss.
- Always use an auxiliary handle for maximum control over torque reaction or kickback. Loss of control can cause personal injury.
- Ensure the power source conforms to the requirements stated on the nameplate on the charging adaptor.
- Never change the direction of the chuck rotation while the tool is still running. Ensure the chuck has come to a complete stop before changing the rotation of the wrench.
- Do not lay the tool down unless the tool is switched off and the chuck has come to a complete stop.
- Keep hands and other body parts well away from the work area whilst the tool is in use.
- Keep hands well away from the underside of the workpiece during use.
- Do not use your hands to remove any dust, chips, or other waste while the tool is in use.
- Do not touch the wrench bit after the operation. The bit will be HOT and will burn!
- When an extension power cord is required ensure that it has the correct ampere rating for your wrench and that it is in a safe electrical condition.
- Fully unwind the extension cable if the extension cable is supplied with a cable drum. This will avoid overheating.

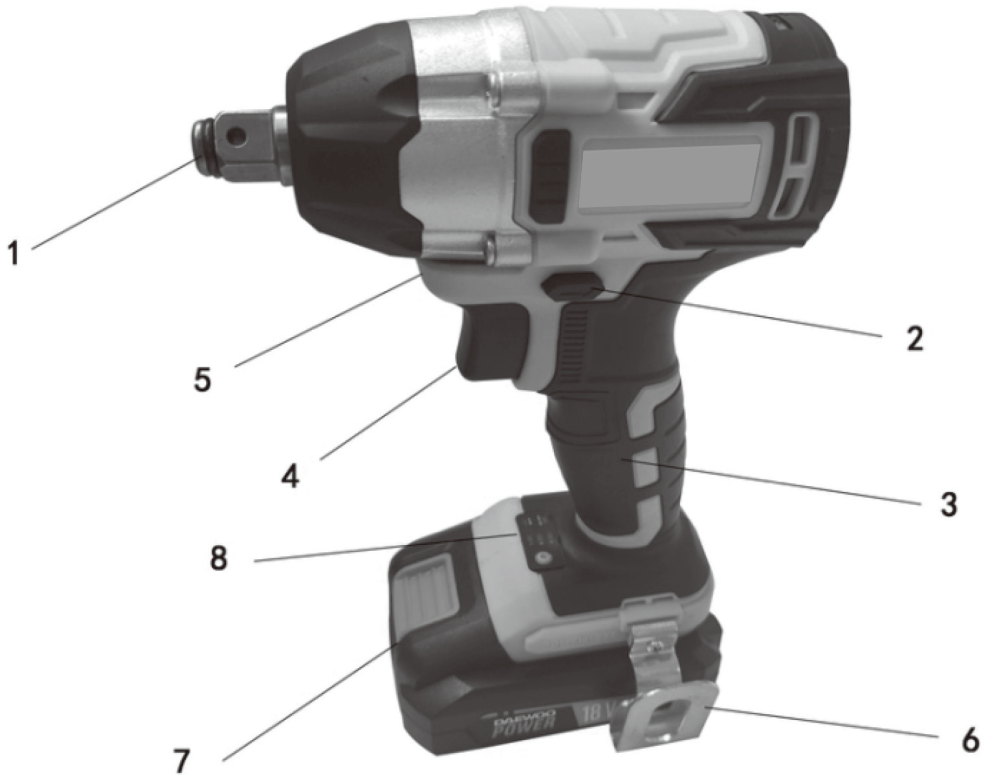
## ADDITIONAL SAFETY RULES FOR CHARGERS

- . Before using the charger, read all instructions and cautionary markings on the charger and battery pack as well as the instructions on using the battery pack.
- . Only charge your batteries indoors as the charger is designed for indoor use only.
- . DANGER. If the battery pack is cracked damaged in any other way, do not insert it in the charger. There is a danger of electric shock or electrocution.
- . WARNING. Do not allow any liquid to come into contact with the charger. There is a danger of electric shock.
- . The charger and the battery packs supplied with are specifically designed to work together. Do not attempt to charge the battery pack with another charger than the one supplied.
- . Pull on the charger transformer to disconnect it from the power source. Do not pull the lead.
- . Do not use the charger if it has been subjected to a heavy knock, dropped, or otherwise damaged in any way. Take the charger to an authorized service center for a check or repair.
- . Do not disassemble the charger. Take it to an authorized service center when service or repair is required. Incorrect reassembly may result in the risk of fire, electric shock, or electrocution.
- . To reduce the risk of electric shock, unplug the charger from the power supply before attempting to clean it. Removing the battery alone does not reduce the risk.

## ADDITIONAL SAFETY RULES FOR THE BATTERY PACK

- . The battery pack for this tool has been shipped in a low charge condition. You should charge the battery pack fully before use.
- . Do not incinerate the battery pack if it is seriously damaged or can no longer hold a charge. The battery pack can explode in a fire.
- . A small leakage of liquid from the battery pack may occur under extreme usage or temperature conditions. This does not necessarily indicate the failure of the battery pack. However, if the outer seal is broken and this leakage comes into contact with your skin wash the affected area quickly with soap and water. If the leakage gets in your eyes flush your eyes with clean water for a minimum of 10 minutes and seek immediate medical attention, inform the medical staff that the liquid is a 25-35% solution of potassium hydroxide.
- . Never attempt to open the battery pack for any reason. If the plastic housing of the battery pack breaks open or cracks, immediately discontinue its use and do not recharge it.
- . Do not store or carry a spare battery pack in a pocket or toolbox or any other place where it may come into contact with metal objects. The battery pack may be short-circuited causing damage to the battery pack, burns, or a fire.

## MACHINE INFORMATION




### COMPONENTS AND CONTROLS


1. 1/2" chuck
2. Forward/reverse knob
3. Handle
4. On/off switch
5. LED work light
6. Belt clip
7. Battery pack ( not supplied)
8. Control panel



## TECHNICAL SPECIFICATION

Model No.	BBT-P0B06
Rated voltage	20V
No load speed	0-2300 rpm
Impact rate	0-3200 bpm
Max torque	280 Nm
Drive	1/2" hex chuck
Includes	LED light, soft grip, variable speed and electric brake.
Sound pressure level	LpA: 91.7 dB (A) k=3dB(A)
Sound power level	LwA: 102.7 dB (A) k=3dB(A)
Vibration level	1.5 m/s <sup>2</sup>
Accessory	1/2" SOCKETS 17, 19, 21, 23MM

Model Number	BBT-DC20A
Battery type	Lithium-ion
Voltage	20V 
Capacity	2.0 Ah
Recommended charger	BBT-YFT20V
Weight	0.3 kg

Model Number	BBT-YFT20V
Charger input	100-120V-60Hz 65W
Charger output	21V  2.5A
Charging time 2Ah battery	60 minutes
Charging time 4Ah battery	120 minutes
Recommended batteries	BBT-DC20A, BBT-DC40A
Weight	0.36 kg

## OPERATION

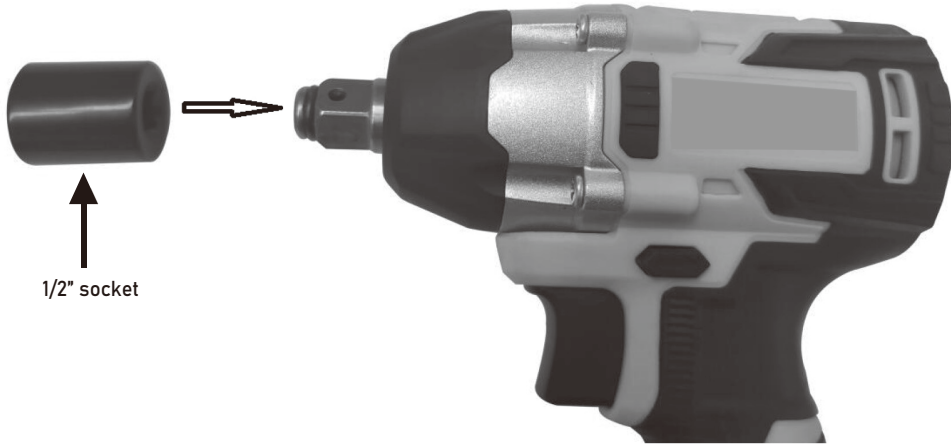
### Charging the battery

The battery pack for this tool has been shipped in a low charge condition and must be fully charged before the first use. To obtain maximum energy, ensure the batteries are fully discharged of all power before recharging for the first 5 or 6 charges. The batteries must also be charged for a full hour during this time.

- . Remove the battery pack from the wrench. To do this press both battery release buttons simultaneously and pull down.
- . Place the charging stand onto a bench or table near a power supply point.
- . Push the charging plug of the AC adaptor into the battery.
- . Connect the AC adaptor to the power supply point. The light will be red when the unit is plugged in and during the battery pack is being charged.
- . When the battery is fully charged, the red light turns to green.

### Selecting the correct 1/2" socket

- . Always use the correct size socket. Use only 1/2" wrench socket as shown below, and move toward the head of the wrench and stop when you hear a snap sound.
- . Pull hard in the opposite direction to remove the bit.



### Switching on/off

The wrench is started and stopped by depressing and releasing the ON/OFF switch trigger.

### Switch lock

- . The switch trigger can be locked in the center position.
- . This helps to reduce the possibility of accidental starting when not in use.
- . To lock the switch trigger, place the direction of the rotation selector in the center position.

### Direction of rotation

- . The direction of rotation is controlled by the direction of the rotation selector located above the switch trigger.
- . Clockwise rotation—right: to select forward rotation, release the on/off switch and push the forward/reverse lever to the left side of the tool.
- . Anticlockwise rotation—left: to select reverse rotation, push the lever to the right side of the tool.

### Variable speed

- . This tool has a variable speed switch that delivers higher speed and torque with increased trigger pressure.
- . Speed is controlled by the amount of switch trigger depression.

### LED light

The LED work-light can light prior to motor running if you press the switch lightly, which keeps the work area to be lighted for checking clearly at first, and it lights also during your operation.

**WARNING:** Do not stare directly at the light beam. Never aim the beam at any person or any object other than the workpiece.

**WARNING:** Do not deliberately aim the beam at personnel and ensure that it is not directed towards the eye of a person for longer than 0.25s.

## MAINTENANCE

- . Store the tool, instruction manual, and accessories in a secure place. In this way, you will always have all the information and parts ready to hand.
- . Keep the tool's air vents unclogged and clean at all times.
- . Remove dust and dirt regularly. Cleaning is best done with compressed air or a rag.
- . Never use caustic agents to clean plastic parts.

**CAUTION:** Do not use cleaning agents to clean the plastic parts of the tool. A mild detergent on a damp cloth is recommended. Water must never come into contact with the tool.

## WARRANTY

Ningbo Babytec Technology Co., Ltd (Hereinafter referred to as Babytec) warrants this product against defects in materials and/or workmanship under normal use for a period of ONE (1) YEAR from the date of purchase by the original purchaser('Warranty Period').

**The following circumstances are excluded from this guarantee:**

- Repairs and or alterations have been made or attempted to the machine by unauthorized service centers;
- Normal wear and tear;
- The tool has been abused, misused, or improperly maintained;
- Non-original spare parts have been used.

If a defect arises and a valid claim is received within the Warranty Period, at its option, Babytec will either 1) repair the defect at no charge, using new or refurbished replacement parts, or 2) replace the product with a new product that is at least functionally equivalent to the original product, or provide a store credit in the amount of the purchase price of the original product. A replacement product or part, including a part installed in accordance with instructions product by Babytec, assumes the remaining warranty of the original product. When a product or part is exchanged, any replacement item becomes your property and the replaced item becomes Babytec's property. When a store credit is given, the original product must be returned to Babytec and becomes Babytec's property. To obtain warranty service, e-mail Babytec Warranty Service at [support@snapfreshtools.com](mailto:support@snapfreshtools.com). Please be prepared to describe the product that needs service and the nature of the problem.

 +1 833 635 0955

(Monday - Friday 9 a.m. - 5 p.m. EST 6 a.m. - 2 p.m. PST)

All rights reserved by Ningbo Babytec Technology Co.,Ltd