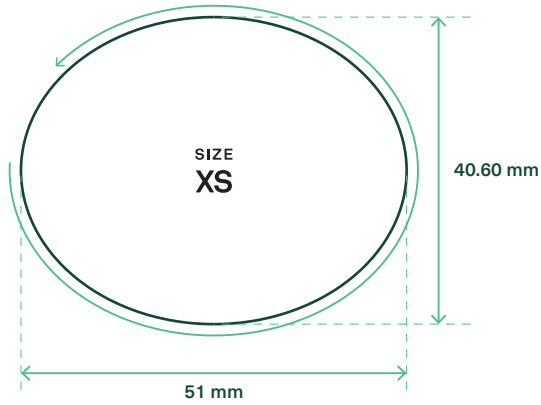


STATE PROPERTY

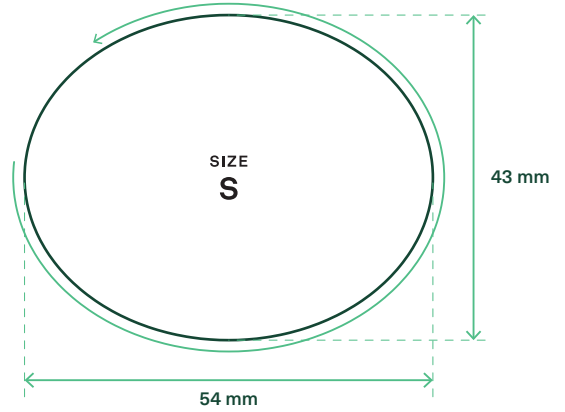
FINE JEWELLERY

BANGLE SIZING CHART

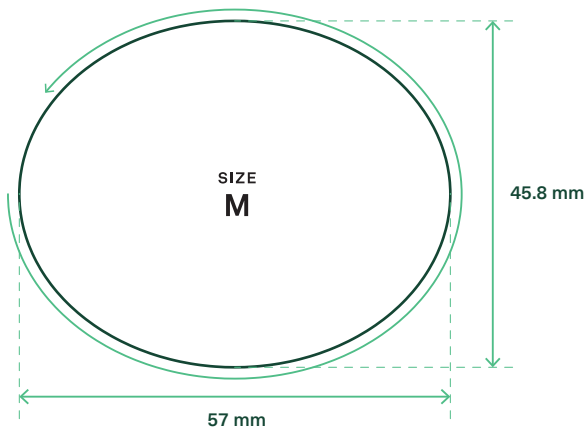
Circumference: ≈ 144 mm



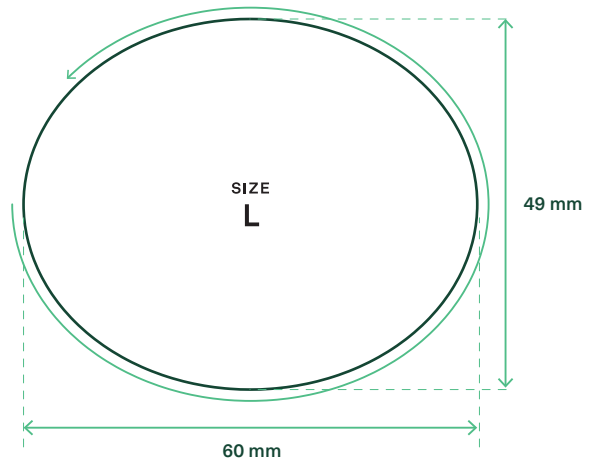
Circumference: ≈ 153 mm



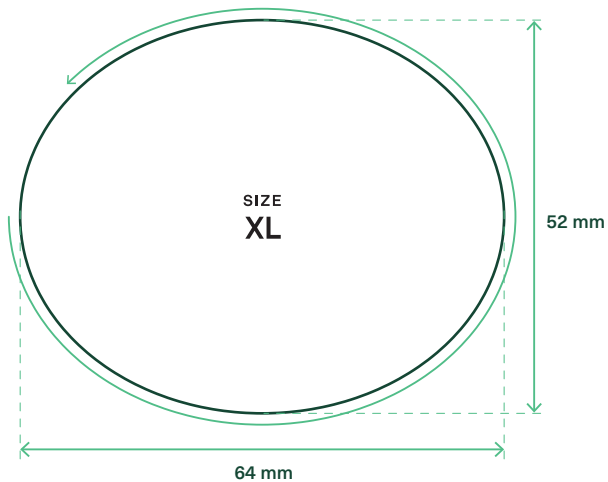
Circumference: ≈ 162 mm



Circumference: ≈ 172 mm



Circumference: ≈ 183 mm



HOW TO USE

Either measure the circumference or the height and width of your wrist, and match it to the corresponding bangle size.

For a snug fit, find the closest size to your wrist.

For a loose fit, go one size up.

If you need any more clarification, feel free to reach out to us at team@thisisstateproperty.com