



RANGE HOOD INSTRUCTION MANUAL

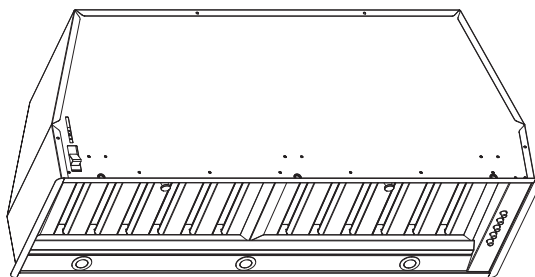
FRHRE5346-30/36



Intertek

5011160

Conforms to UL STD. 507
Certified to CSA STD. C22.2 NO.113



IMPORTANT:

READ AND SAVE THESE INSTRUCTIONS

NOTICE:

Installer: Leave this guide with the homeowner

Homeowner: Keep this guide for future reference

Customer Care

Thank you for purchasing a **FORNO** product. Please read the entire instruction manual before operating your new appliance for the first time. Whether you are an occasional user or an expert, it will be beneficial to familiarize yourself with the safety practices, features, operation and care recommendations of your appliance.

Both the model and serial number are listed inside the product. For warranty purposes, you will also need the serial number, the date of purchase & a copy of your proof of purchase. Record this information below for future reference.

SERVICE INFORMATION

Use these number in any correspondence or service calls concerning your product.

Model Number

If you received a damaged product, immediately contact **FORNO**.

Serial Number

Save time and money. Before you call for service, check the Troubleshooting Guide. It lists the causes of minor operating problems that you can correct yourself.

Date of Purchase

Purchase Address & Phone

SERVICE IN CANADA & UNITED STATES

Keep the instruction manual handy to answer your questions. You can also find all the information you need online at www.fornoappliances.com.

If you don't understand something or you need more assistance, please visit our website or call our Customer service: 1 866-231-8893 opt.2 ext.214

Or email : mysupport@forno.ca


If there is a problem, please contact FORNO customer service. All warranty work needs to be authorized by FORNO customer service. All of our authorized service providers are carefully selected and rigorously trained by us.

Index

WARNINGS	1
PRODUCT SPECIFICATION & TECHNICAL PARAMETERS	1
RECOMMENDATIONS AND SUGGESTIONS	2
INSTALLATION	2
USE	2
MAINTENANCE	2
DIMENSIONS	3
INSTALLATION & USE	4
HOW TO REPLACE THE LED LAMP	8
TROUBLESHOOTING	8
WIRE DIAGRAM	9

WARNINGS

1. Before servicing or cleaning unit, unplug or disconnect the range hood from the power supply.
2. TO REDUCE THE RISK OF A RANGE TOP GREASE FIRE:
 - A. Never leave surface units unattended at high settings. Boil overs cause smoking and greasy spillovers that may ignite. Heat oils slowly on low or medium settings.
 - B. Always turn hood ON when cooking at high heat or when flambeing (i.e. Crepes Suzette, Cherries Jubilee, Peppercorn Beef Flambe).
 - C. Clean ventilation fans frequently. Grease should not be allowed to accumulate on fan or filter.
 - D. Use a pan of the proper size. Always use appropriate cookware for the size of the surface element.
3. TO REDUCE THE RISK OF INJURY TO PERSONS IN THE EVENT OF A RANGETOP GREASE FIRE, OBSERVE THE FOLLOWING:
 - A. SMOTHER FLAMES with a close-fitting lid, cookie sheet or metal tray, then turn off the burner. BE CAREFUL TO PREVENT BURNS. If the flames do not go out immediately, EVACUATE AND CALL THE FIRE DEPARTMENT.
 - B. NEVER PICK UP A FLAMING PAN - You may be burned.
 - C. DO NOT USE WATER, including wet dishcloths or towels - a violent steam explosion will result.
 - D. Use an extinguisher ONLY if:
 - 1) You know you have a Class ABC extinguisher, and you already know how to operate it.
 - 2) The fire is small and contained in the area where it started.
 - 3) The fire department is being called.
 - 4) You can fight the fire with your back to an exit.
 4. To reduce the risk of fire or electric shock, do not use this fan with any solid-state speed control device.
 5. To provide protection against electric shock, connect to properly grounded outlets only. CAUTION: For general ventilation use only. Do not use to exhaust hazardous or explosive material and vapours.

 **WARNING:** This product can expose you to chemicals including [Lead, Lead and lead compounds], which is [are] known to the State of California to cause cancer and birth defects or other reproductive harm. For more information go to www.P65Warnings.ca.gov.

PRODUCT SPECIFICATION & TECHNICAL PARAMETERS

Rated Voltage: 120V/60Hz

Light Power: LED Lamp Max 6W total

Motor Power: 230W

Total Power: 236W

Air outlet diameter: 5 7/8"

RECOMMENDATIONS AND SUGGESTIONS

INSTALLATION

- * The manufacturer will not be held liable for any damages resulting from incorrect or improper installation.
- * Please read this instruction manual before installing and using this range hood. Please keep this instruction manual in a safe place for future reference.
- * Only a qualified and trained service technician can undertake installation and servicing work.
- * Check that the main voltage corresponds to the one indicated on the rating plate attached to the inside of the hood.
- * If the hood is used in conjunction with non-electrical appliances (i.e. gas burning appliances), a sufficient degree of ventilation must be guaranteed in the room in order to prevent the backflow of exhaust gas. The kitchen must have an opening directly to open air in order to guarantee the entry of clean air.
- * The minimum distance from the range hood to a cooktop is 25-1/2", including gas and electric ranges.

NOTICE: Two or more people are required Failure to do so can cause physical injuries.

USE

- * The range hood has been designed only for domestic use to eliminate kitchen fumes.
- * Never use the hood for purposes other than what it has been designed for.
- * Never leave high exposed flames burning under the hood when it is in operation.
- * Adjust the flame intensity to direct it onto the bottom of the pan only; making sure that it does not engulf the sides of the pan.
- * Deep fryers must be continuously monitored during use: overheated oil can burst into flames.
- * The hood should not be used by children or persons not instructed in its correct use.

MAINTENANCE

- * Proper maintenance of the range hood will ensure proper performance of the unit.
- * Disconnect the hood from the main supply before carrying out any maintenance work.
- * Clean grease filters after a specified period of time.
- * Clean the hood using a damp cloth and a neutral liquid detergent.
- * **DISPOSAL:** Do not dispose of this product as unsorted municipal waste. Collection of such waste separately for special treatment is necessary.

WARNING!!

In certain circumstances electrical appliances may be a danger hazard.

- * Do not check the status of the filters while the cooker hood is operating
- * Do not touch the light bulbs after appliance use
- * Do not disconnect the appliance with wet hands.
- * To reduce the risk of fire or electric shock, do not use this fan with any solid-state switch.
- * Avoid exposed flames, as it would do damage to the filters from a fire hazard
- * Constantly check frying foods to avoid the overheated oil becoming a fire hazard

- * Disconnect the electrical plug prior to any maintenance or servicing.
- * Children don't recognize the risks of electrical appliances. For this reason, use the appliance only under supervision of adults and out of reach of children.

*** TO REDUCE THE RISK OF FIRE, ELECTRIC SHOCK, OR INJURY TO PERSONS, OBSERVE THE FOLLOWING:**

- a) Installation work and electrical wiring must be done by qualified person(s) in accordance with all applicable codes and standards, including fire-rated construction.
 - b) Sufficient air is needed for proper combustion and exhausting of gases through the flue (chimney) of fuel burning equipment to prevent back drafting.
 - c) When cutting or drilling into wall or ceiling, do not damage electrical wiring and other hidden utilities.
 - d) Ducted fans must always be vented to the outdoors.
- * Do not use this product outdoors.
 - * This appliance is not intended for use by persons (including children) with reduced physical, sensory or mental capabilities, or lack of experience and knowledge, unless they have been given supervision or instruction, concerning use of the appliance by a person responsible for their safety.

Children should be supervised to ensure that they do not play with the appliance.

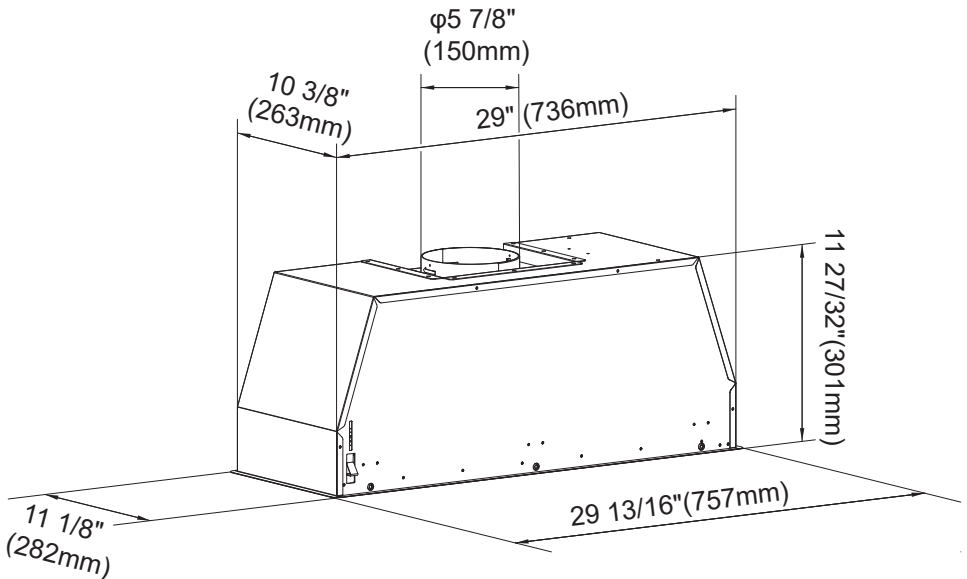
* There shall be adequate ventilation of the room when the range hood is used at the same time as appliances burning gas or other fuels.

* There is a fire risk if cleaning is not carried out in accordance with instructions.

* The exhaust air must not be discharged into a flue which is used for exhausting fumes from appliances burning gas or other fuels.

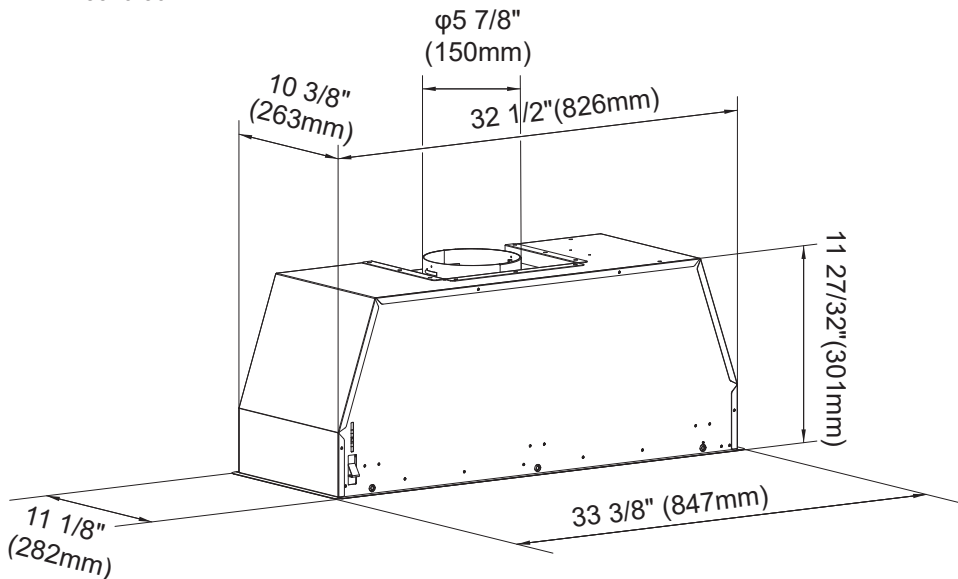
DIMENSIONS

FRHRE5346-30



DIMENSIONS

FRHRE5346-36



INSTALLATION & USE

OPERATION OF CONTROLS

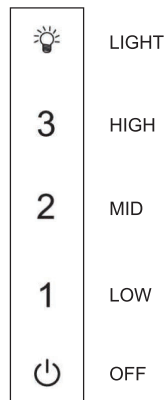
The hood is operated using the push button on the front panel. The light switch turns the lamps on and off. The blower switch turns the blower on to three speed settings:

⏻ - OFF

1 - LOW SPEED

2 - MEDIUM SPEED

3 - HIGH SPEED



Grease Filters

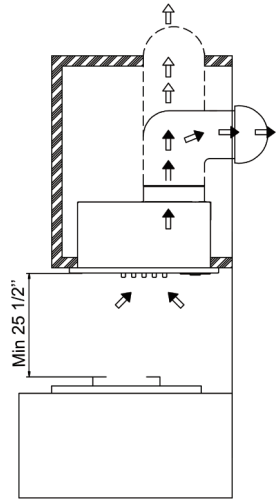
The grease filters should be cleaned frequently. Use a warm detergent solution. Grease filters are washable

Ducting

The hood draws the cooking air saturated with fumes and odor, through the grease filters and then expels it to the outside through an outlet pipe.

⚠Caution: To reduce the risk of fire, the use of metal ductwork is preferred. Do not use flammable material to transport exhaust air.

1. Decide where the ductwork will run between the hood and the outside.
2. A straight, short duct run will allow the hood to perform most efficiently.
3. Long duct runs, elbows, and transitions will reduce the performance of the hood. Use as few of them as possible. Larger ducting may be required for best performance with longer duct runs.
4. The air must not be discharged into a flue that is used for exhausting fume from appliances burning gas or other fuels. Regulations concerning the discharge of air must be followed. Check with the local authority and building codes for exhaust ducting requirements.
5. Install a roof/wall cap. Connect round metal ductwork to cap and work back towards hood location.



Electrical Connection

- * Electrical wiring must be done by a qualified person in accordance with all applicable codes and standards. Turn off electrical power at service entrance before wiring.
- * If the supply cord is damaged, it must be replaced by the manufacturer, its service agent or similarly qualified persons in order to avoid a hazard.
- * Do not use the plug and an extension cord other than the ones initially supplied with the hood.

WARNING

1. TO REDUCE THE RISK OF FIRE, USE ONLY METAL DUCTWORK.
2. GROUNDING INSTRUCTIONS

This appliance must be grounded. In the event of an electrical short circuit, grounding reduces the risk of electric shock by providing an escape wire for the electric current. This appliance is equipped with a cord with a grounding wire and a grounding plug. The plug must be plugged into an outlet that is properly installed and grounded.

WARNING -Improper grounding can result in a risk of electric shock.

Consult a qualified electrician if the grounding instructions are not completely understood, or if there is doubt as to whether the appliance is properly grounded. Do not use an extension cord. If the power supply cord is too short, have a qualified electrician install an outlet near the appliance.

CAUTION: To reduce the risk of fire and to properly exhaust air, be sure to vent air outside - Do not vent exhaust air into spaces within walls, ceilings or into attics, crawl spaces, or garages.

INSTALLATION

Before beginning the installation, we advise you to remove the aluminium filter, to better handle the hood. Before attaching it, the outlet exhaust duct for air evacuation to the outside must be installed. Use an outlet exhaust duct with:

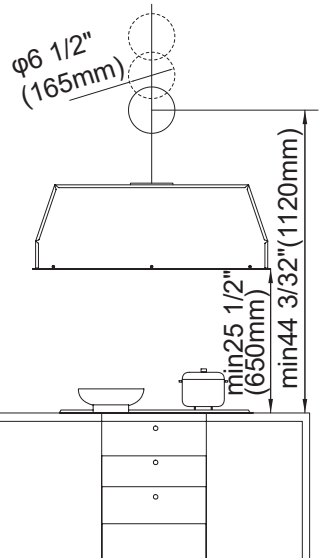
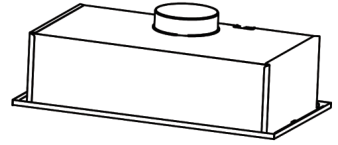
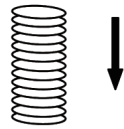
- Minimum possible bends (maximum angle of bend: 90°);
- Certified material (according to local, building and fire regulations);
- and as smooth as possible inside.

It is also advisable to avoid any drastic changes in duct cross-section (recommended diameter: 6-1/8")

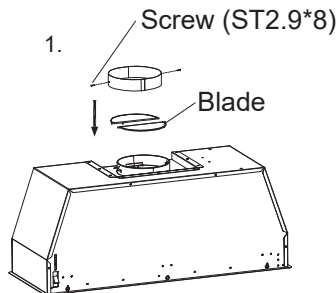
Drill the hole in the wall for the air outlet (6-1/2" diameter) referring to drawings here on the right where the measurements for the various possibilities are indicated. Decide on the position of the hole for the air outlet: The hole must be in the ceiling, according to your requirements, but must be in vertical line with your hood. Bear in mind that the hood can expel air through the top air outlet only.

Fitting under wall unit

Note 1: Before attaching the hood to the wall unit, drill a hole of 6 1/2" diameter into the wall unit.



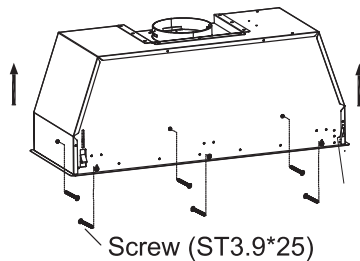
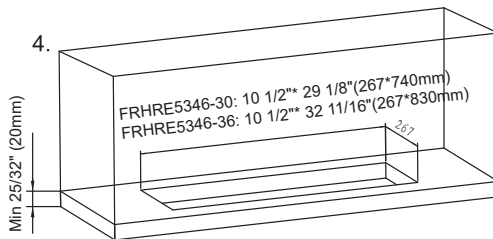
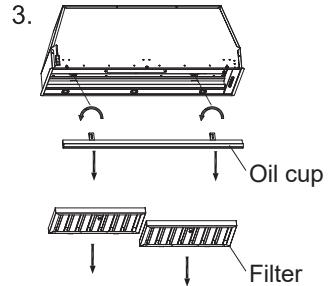
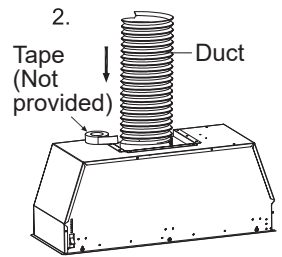
1. Fix the metal adapter to the air outlet with 2 screws ST2.9*8. and install the blade to the air outlet. Please refer to Pic. 1.



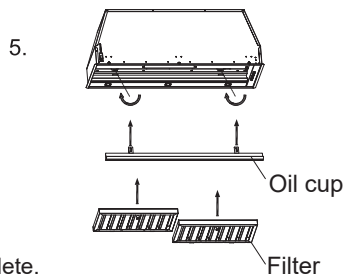
2. Fix the duct to the air adapter with tape. Please refer to Pic. 2.

3. Hold the filter lock and push the filter backward to take off the filters. Release the 2 screws indicated in Pic. 3 and take off the oil cup.

4. Please cut the hole on the cabinet board. The cut out size for FRHRE5346-30 would be $10\frac{1}{2}'' \times 29\frac{1}{8}''$ (267*740mm). The cut out size for FRHRE5346-36 would be $10\frac{1}{2}'' \times 32\frac{11}{16}''$ (267*830mm). It's required to have the cabinet board thickness to be Min $\frac{25}{32}''$ (20mm). Push the range hood upward to the cabinet hole and fix the hood from inside to the cabinet board with 6 screws ST3.9*25. Please refer to Pic. 4.



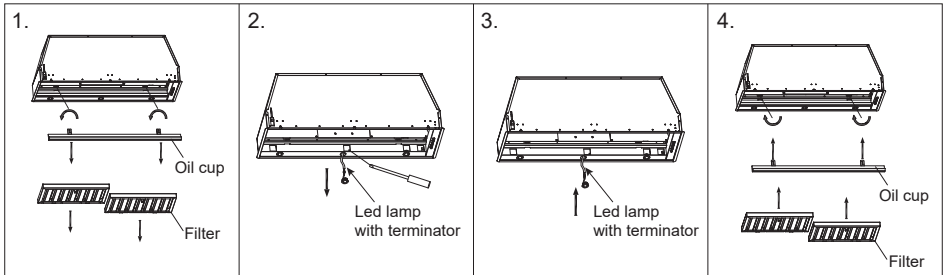
5. Install the oil cup back to position and screw back the 2 screws. Install the filters back to position. Hold the filter lock and push back the filter towards the oil cup. And then push it back to position. Then the installation is done. Please refer to Pic. 5.



The installation is now complete.

HOW TO REPLACE THE LED LAMP?

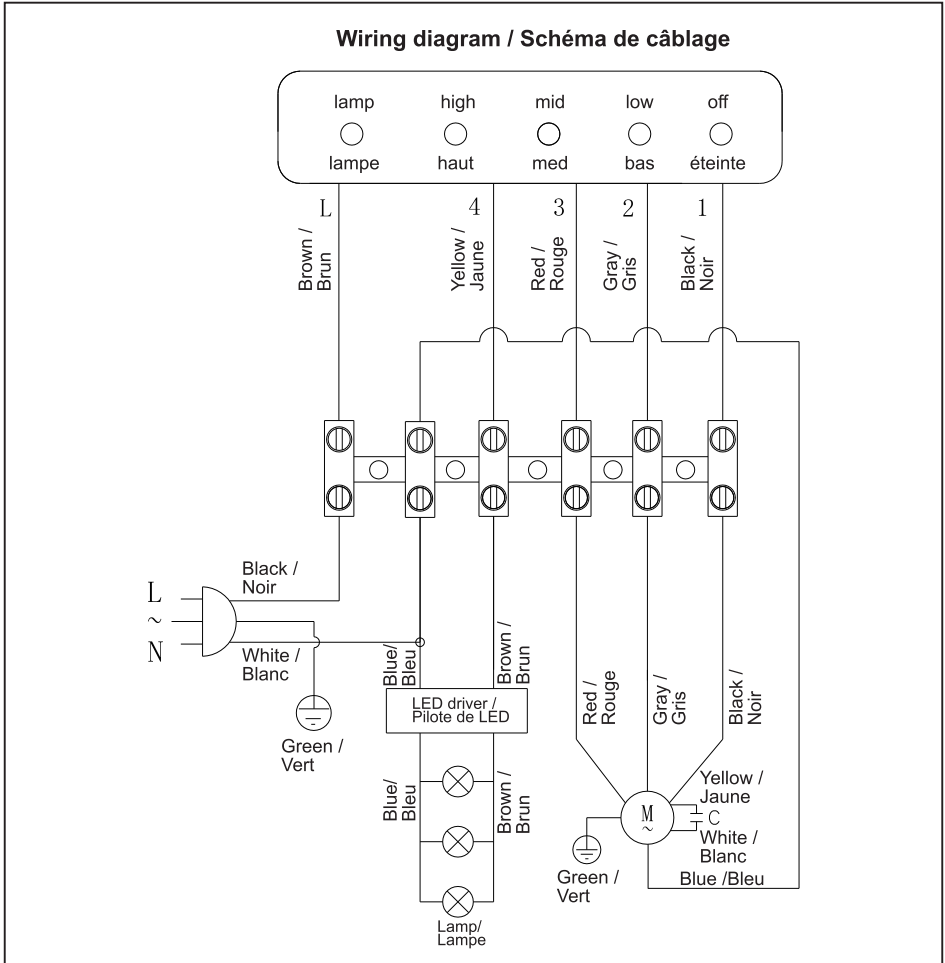
1. Take off the baffle filter. Loosen the screws shown on Pic 1 and take out the oil cup.
2. Use the screw driver to push the LED lamp out of the panel through the hole. Please refer to Pic 2 below.
3. Disconnect the LED terminator and then replace it with new LED lamp. And reconnect the terminator. Fix the new lamp back to position.
4. Install the oil cup back to position and fix the 2 screws back to position. Install the filters back to position. Please refer to Pic.4 below.



TROUBLESHOOTING

Issue	Possible Cause / Solution
The range hood doesn't turn on	<ul style="list-style-type: none"> ▪ Check if the range hood is plugged in. Make sure that all power is turned ON, the fuse isn't blown and all electrical wirings are properly connected.
The range hood turns on but the LED light doesn't	<ul style="list-style-type: none"> ▪ Replace the defective LED assembly. Refer to "HOW TO REPLACE LED LAMP" section.
The range hood vibrates when the blower is on	<ul style="list-style-type: none"> ▪ Check and tighten the mounting screws to secure the hood to the cabinet or wall properly.
The blower or fan seems weak	<ul style="list-style-type: none"> ▪ Check that the duct size used is at least 6" Range hood WILL NOT function efficiently with insufficient duct size. For example: 6" duct over 7" top vent and not sealed properly. ▪ Check if the duct is clogged or the damper (half-circular flapper) is not installed correctly or opening properly. A tight mesh on a side wall cap might also cause restriction to the air flow.

WIRE DIAGRAM





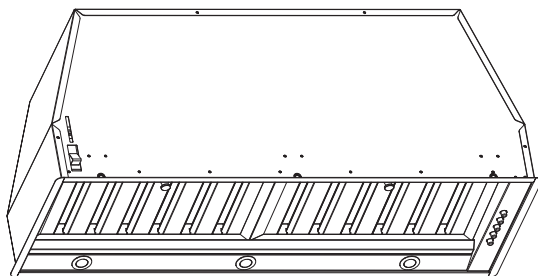
MANUEL D'INSTRUCTIONS POUR HOTTE DE CUISINE FRHRE5346-30/36



Intertek

5011160

CONFORME À LA NORME UL STD.507
CERTIFIÉ CONFORME À LA NORME CSA STD. C22.2 NO.113



IMPORTANT :
LIRE ET CONSERVER CES INSTRUCTIONS

AVIS :

Installateur : Laissez ce guide au propriétaire de la maison
Propriétaire : conservez ce guide pour référence ultérieure

SERVICE À LA CLIENTÈLE

Merci d'avoir acheté un produit **FORNO**. Veuillez lire le manuel d'utilisation en entier avant la première utilisation. Que vous soyez un utilisateur occasionnel ou averti, vous aurez avantage à vous familiariser avec les mesures de sécurité, les caractéristiques, le fonctionnement et les recommandations d'entretien et de nettoyage de votre appareil.

Le numéro de modèle et le numéro de série sont indiqués à l'intérieur de l'appareil. Pour fins de garantie, vous aurez besoin du numéro de série, de la date d'achat et d'une copie de votre preuve d'achat. Notez l'information ci-dessous pour référence ultérieure.

INFORMATION À FOURNIR POUR TOUTE RÉPARATION

Numéro de modèle :

Utilisez ces numéros pour toute correspondance ou pour tout appel au service des réparations concernant votre appareil.

Numéro de série :

Si vous avez reçu un appareil endommagé, communiquez immédiatement **FORNO**.

Date d'achat :

Économisez temps et argent. Avant tout appel de réparation, vérifiez le guide de dépannage. Vous y trouverez une liste des causes de problèmes mineurs que vous pouvez réparer vous-même.

Adresse et numéro de téléphone où l'appareil a été acheté :

POUR UNE RÉPARATION AU CANADA & AUX ÉTATS-UNIS :

Conservez ce manuel d'instruction à portée de main si vous avez des doutes. Vous pouvez retrouver tous les informations en ligne www.fornoappliances.com.

Pour plus de précision ou si vous avez besoin d'aide, veuillez communiquer avec notre service à la clientèle au : 1-866-231-8893 opt.2 ext.214

Vous pouvez également écrire à : mysupport@forno.ca


En cas de problème, veuillez contacter le service client FORNO. Tous les travaux sous garantie doivent être autorisés par le service client FORNO. Tous nos prestataires de services agréés sont soigneusement sélectionnés et rigoureusement formés par nos soins.

Index

AVERTISSEMENT	1
Spécifications du produit et paramètres techniques	2
RECOMMANDATIONS ET SUGGESTIONS	2
INSTALLATION	2
UTILISATION	2
BON ENTRETIEN	2
DIMENSIONS	4
INSTALLATION ET UTILISATION	5
COMMENT REMPLACER LA LAMPE LED	9
DÉPANNAGE	9
Carte de connexion	10

AVERTISSEMENT

1. Avant de réparer ou de nettoyer l'appareil, veuillez le débrancher ou mettre l'alimentation électrique hors tension.
 2. **POUR RÉDUIRE LE RISQUE D'UN FEU DE GRAISSE DANS LA HOTTE :**
 - A. Ne laissez jamais les unités de cuisson sans surveillance à des réglages élevés. Les débordements par bouillonnement et les déversements gras peuvent s'enflammer. Chauffer les huiles lentement sur des réglages bas ou moyens.
 - B. Toujours mettre la hotte **EN MARCHÉ** lorsque vous cuisinez à feu vif ou que vous flambez (C.-à-d., crêpes Suzette, cerises Jubilées, bœuf au poivre flambé).
 - C. Nettoyez les ventilateurs fréquemment. La graisse ne doit pas s'accumuler sur le ventilateur ou le filtre.
 - D. Utilisez une casserole de taille appropriée. Toujours utiliser des ustensiles de cuisson adaptés à la taille de l'élément de surface.
 3. **POUR RÉDUIRE LES RISQUES DE BLESSURES EN CAS D'UN FEU DE GRAISSE DANS LA HOTTE, OBSERVEZ CE QUI SUIT :**
 - A. **ÉTOUFFEZ LES FLAMMES** avec un couvercle bien ajusté, une plaque à biscuits ou un plateau en métal, puis éteignez le brûleur. **SOYEZ PRUDENT POUR PRÉVENIR LES BRÛLURES.** Si les flammes ne s'éteignent pas immédiatement. **ÉVACUEZ ET APPELEZ LE SERVICE DES INCENDIES.**
 - B. **NE PRENEZ JAMAIS UNE CASSEROLE EN FLAMMES** -Vous risquez de vous brûler.
 - C. **N'UTILISEZ PAS D'EAU**, y compris les torchons humides ou serviettes mouillées - une violente explosion de vapeur peut se produire.
 - D. Utilisez un extincteur **SEULEMENT** si :
 - 1) Vous savez que vous possédez un extincteur de classe ABC et savez déjà comment le faire fonctionner.
 - 2) Le feu est petit et contenu dans la zone où il s'est déclaré.
 - 3) Le service d'incendie est appelé.
 - 4) Vous pouvez combattre le feu tout en ayant le dos à une sortie.
 4. Pour réduire les risques d'incendie ou d'électrocution, n'utilisez pas ce ventilateur avec un dispositif de contrôle de vitesse à semi-conducteurs.
 5. Pour vous protéger contre les décharges électriques, ne branchez l'appareil qu'à des prises correctement mises à la terre.
- MISE EN GARDE :** Pour la ventilation générale seulement. Ne pas utiliser pour évacuer des matières et vapeurs dangereuses ou explosives.

 **AVERTISSEMENT:** Ce produit peut vous exposer à des agents chimiques, y compris [plomb, plomb et composés de plomb], identifiés par l'État de Californie comme pouvant causer le cancer et des malformations congénitales ou autres effets nocifs sur la reproduction. Pour de plus amples informations, prière de consulter www.P65Warnings.ca.gov.

Spécifications du produit et paramètres techniques

Tension nominale: 120V/60Hz

Puissance de la lumière: Lampe LED Max 6W total

Puissance du moteur: 230W

Puissance totale: 236W

Diamètre de la sortie d'air: 5 7/8"

RECOMMANDATIONS ET SUGGESTIONS

INSTALLATION

* Le fabricant ne sera pas tenu responsable des dommages résultant d'une installation incorrecte ou inappropriée.

* Veuillez lire ce manuel d'instructions avant d'installer et d'utiliser cette hotte. Veuillez conserver ce manuel d'instructions dans un endroit sûr pour référence ultérieure.

* Seul un technicien qualifié et formé peut entreprendre les travaux d'installation et de maintenance.

* Vérifiez que la tension principale correspond à celle indiquée sur la plaque signalétique apposée à l'intérieur de la hotte.

* Si la hotte est utilisée avec des appareils non électriques (par ex., appareils à gaz), il faut assurer un degré de ventilation suffisant dans la pièce afin d'éviter le reflux des gaz d'échappement. La cuisine doit avoir une ouverture directement à l'air libre afin de garantir l'entrée d'air pur.

* La distance minimale entre la hotte et la cuisinière est de 25 ½ po (64,8 cm), incluant la cuisinière à gaz et la cuisinière électrique.

REMARQUE : Deux personnes ou plus sont nécessaires pour installer ou déplacer cet appareil. Le non-respect de cette consigne peut entraîner des blessures corporelles.

UTILISATION

* La hotte de cuisinière a été conçue uniquement pour un usage domestique afin d'éliminer les vapeurs de cuisine.

* Ne jamais utiliser la hotte à des fins autres que celles pour lesquelles elle a été conçue.

* Ne laissez jamais de grandes flammes nues sous la hotte lorsqu'elle est en marche.

* Réglez l'intensité de la flamme pour la diriger sur le fond de la casserole seulement ; s'assurer qu'elle ne se répand pas sur les côtés de la casserole.

* Une friteuse doit être surveillée en permanence pendant l'utilisation : l'huile surchauffée peut s'enflammer.

* La hotte ne doit pas être utilisée par des enfants ou des personnes qui ne sont pas informées de sa bonne utilisation.

BON ENTRETIEN

* Le bon entretien de la hotte garantira le bon fonctionnement de l'appareil.

* Débranchez la hotte de l'alimentation principale avant d'effectuer tout travail d'entretien.

* Nettoyez les filtres à graisse après une période de temps spécifiée.

* Nettoyez la hotte avec un chiffon humide et un détergent liquide neutre.

* **ÉLIMINATION** : Ne pas jeter ce produit avec les déchets municipaux non triés. La collecte sélective de ces déchets en vue d'un traitement spécial est nécessaire.

AVERTISSEMENT!!

Dans certains cas, les appareils électriques peuvent constituer un danger.

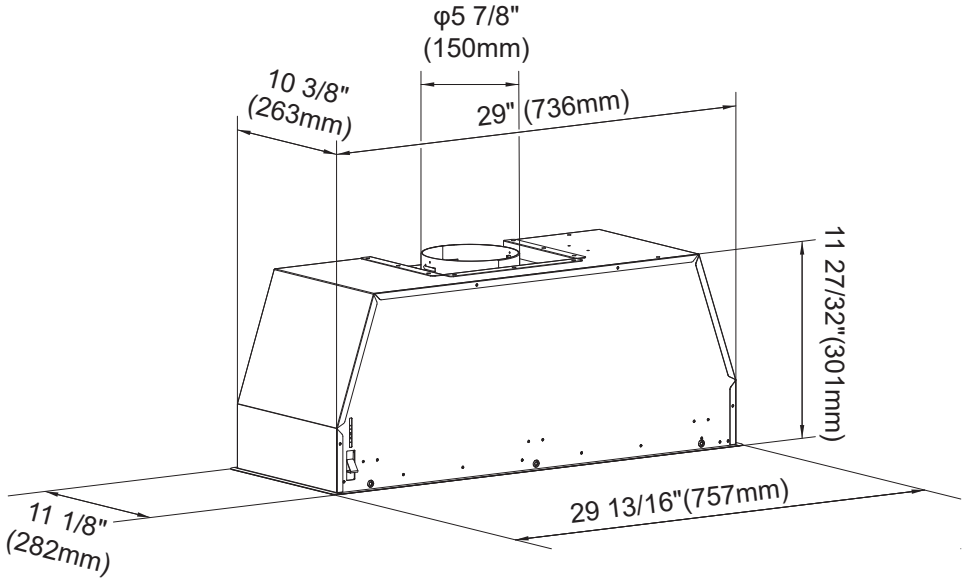
- * Ne vérifiez pas l'état des filtres pendant le fonctionnement de la hotte.
- * Ne touchez pas aux ampoules après l'utilisation de l'appareil.
- * Ne débranchez pas l'appareil avec les mains mouillées.
- * Pour réduire les risques d'incendie ou de décharges électriques, n'utilisez pas ce ventilateur avec des appareils à semi-conducteurs.
- * Évitez les flammes nues, car cela pourrait endommager les filtres en cas d'incendie.
- * Vérifiez constamment la friture des aliments pour éviter que l'huile surchauffée ne devienne un risque d'incendie.
- * Débranchez la prise électrique avant tout entretien ou toute réparation.
- * Les enfants ne reconnaissent pas les risques liés aux appareils électriques. Par conséquent, utiliser l'appareil uniquement sous la surveillance d'adultes et le maintenir hors de portée des enfants.

* **POUR RÉDUIRE LES RISQUES D'INCENDIE, D'ÉLECTROCUTION OU DE BLESSURES CORPORELLES, OBSERVEZ CE QUI SUIT :**

- a) Les travaux d'installation et le câblage électrique doivent être effectués par des personnes qualifiées conformément à tous les codes et toutes les normes en vigueur, y compris la construction selon l'indice de résistance au feu.
 - b) Il faut suffisamment d'air pour assurer une combustion et une évacuation adéquates des gaz par le conduit de cheminée de l'appareil à combustible, afin d'éviter les refoulements.
 - c) Lorsque vous coupez ou percez un mur ou un plafond, n'endommagez pas les câbles électriques et autres utilitaires cachés.
 - d) Les ventilateurs avec conduits doivent toujours être évacués à l'extérieur.
- * N'utilisez pas ce produit en extérieur.
 - * Cet appareil n'est pas destiné à être utilisé par des personnes (y compris des enfants) ayant des capacités physiques, sensorielles ou mentales limitées, ou encore manquant d'expérience et de connaissances, à moins qu'elles soient sous la surveillance ou qu'elles aient reçu des instructions de la personne responsable de leur sécurité. Les enfants doivent être surveillés pour s'assurer qu'ils ne jouent pas avec l'appareil.
 - * La pièce doit être suffisamment ventilée lorsque la hotte est utilisée en même temps que des appareils à gaz ou autres combustibles.
 - * Il y a un risque d'incendie si le nettoyage n'est pas effectué conformément aux instructions.
 - * L'air évacué ne doit pas être rejeté dans un conduit utilisé pour évacuer les fumées des appareils à gaz ou autres combustibles.

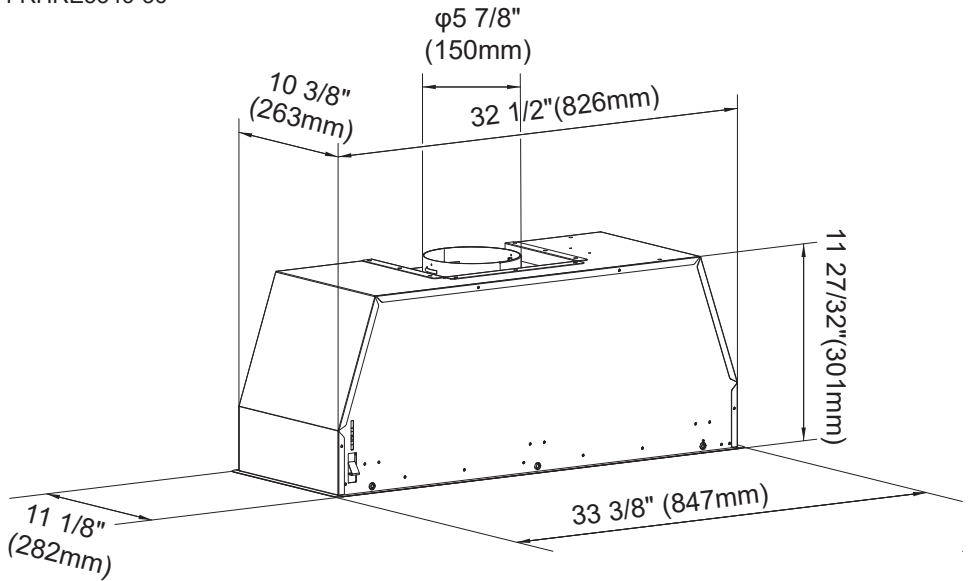
DIMENSIONS

FRHRE5346-30



DIMENSIONS

FRHRE5346-36



INSTALLATION ET UTILISATION

FONCTIONNEMENT DES COMMANDES

La hotte est opérée à l'aide du bouton-poussoir situé sur le panneau avant.

Le commutateur d'éclairage allume et éteint les lampes.

L'interrupteur du ventilateur allume le ventilateur à trois niveaux de vitesse:

- ⏻ - ÉTIENT
- 1 - BASSE VITESSE
- 2 - VITESSE MOYENNE
- 3 - HAUTE VITESSE



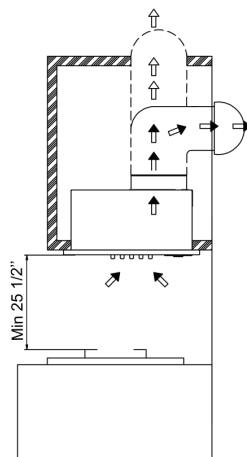
Filtres à graisse

Les filtres à graisse doivent être nettoyés fréquemment. Utilisez une solution détergente chaude. Les filtres à graisse sont lavables.

Conduits d'évacuation

La hotte aspire les vapeurs de cuisson saturées, la fumée et les odeurs à travers les filtres à graisse et les évacue vers l'extérieur par une conduite de sortie.

⚠ Mise en garde : Pour réduire les risques d'incendie, il est préférable d'utiliser des conduits en métal. Ne pas utiliser de matériaux inflammables pour acheminer l'air d'évacuation.



1. Décidez où les conduits passeront entre la hotte et l'extérieur.
2. Un conduit court et droit permettra à la hotte de fonctionner plus efficacement.
3. Un long conduit, des coudes et des transitions réduiront les performances de la hotte. Utilisez-en le moins possible. Des conduits au diamètre plus large peuvent être nécessaires pour obtenir une performance optimale avec des conduites plus longues.
4. L'air ne doit pas être évacué dans une cheminée utilisée pour expulser la fumée d'appareils à gaz ou à d'autres combustibles. Les réglementations concernant l'évacuation de l'air doivent être respectées. Consultez les autorités locales et les codes du bâtiment pour connaître les exigences relatives aux conduits d'évacuation.
5. Installez un capuchon de toit ou de mur. Connectez les conduits métalliques ronds au capuchon et remontez vers l'emplacement de la hotte.

Connexion électrique

* Le câblage électrique doit être effectué par une personne qualifiée conformément à tous les codes et toutes les normes applicables. Coupez l'alimentation électrique à l'entrée de service avant le câblage.

* Si le cordon d'alimentation est endommagé, il doit être remplacé par le fabricant, son agent de service ou une personne de qualification similaire afin d'éviter tout danger.

* N'utilisez une prise ou une rallonge autre que celles fournies avec la hotte.

⚠ AVERTISSEMENT

1. POUR RÉDUIRE LES RISQUES D'INCENDIE, UTILISEZ UNIQUEMENT UN CONDUIT EN MÉTAL.

2. INSTRUCTIONS DE MISE À LA TERRE

Cet appareil doit être mis à la terre. En cas de court-circuit électrique, la mise à la terre réduit le risque de décharge électrique en fournissant un fil d'évacuation pour le courant électrique. Cet appareil est équipé d'un cordon avec un fil de terre et une fiche de mise à la terre. La fiche doit être branchée dans une prise de courant correctement installée et mise à la terre.

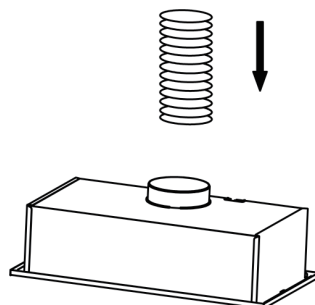
AVERTISSEMENT – Une mise à la terre incorrecte peut entraîner un risque de décharge électrique.

Consultez un électricien qualifié si les instructions de mise à la terre ne sont pas parfaitement comprises ou s'il existe un doute quant à la mise à la terre adéquate de l'appareil. N'utilisez pas de rallonge. Si le cordon d'alimentation est trop court, demandez à un électricien qualifié d'installer une prise près de l'appareil.

MISE EN GARDE : Afin de réduire les risques d'incendie et d'évacuer l'air correctement, veillez à faire évacuer l'air à l'extérieur. Ne pas rejeter l'air évacué dans les espaces situés à l'intérieur des murs, des plafonds, des greniers ou dans les vides sanitaires ou les garages.

INSTALLATION

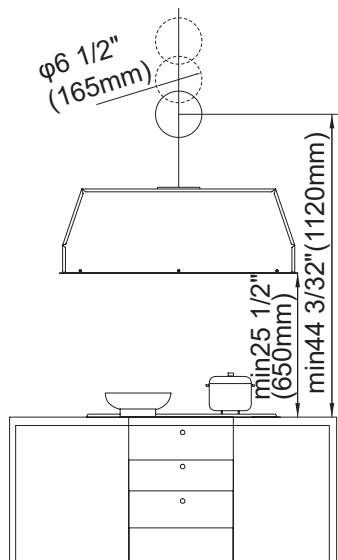
Avant de commencer l'installation et de mieux manipuler la hotte, il est conseillé de retirer le filtre en aluminium. Avant la fixation, le conduit d'évacuation pour rejeter l'air vers



l'extérieur doit être installé. Utilisez un conduit d'évacuation :

- ayant la longueur minimale requise;
- ayant un nombre minimum de courbures (angle de courbure maximum de 90°);
- faits de matériaux certifiés selon les réglementations locales, de construction et de résistance au feu); et
- aussi lisse que possible à l'intérieur. Il est toujours recommandé d'éviter toute modification importante de la section transversale du conduit : 6 1/8 po)

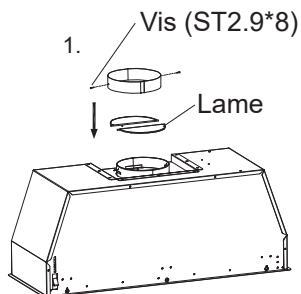
Percez un trou dans le mur pour la sortie d'air (6½ po de diamètre) en se référant aux plans ci-contre où les mesures des différentes possibilités sont indiquées. Décidez de la position du trou pour la sortie d'air : le trou doit être au plafond, selon vos besoins, mais doit être aligné verticalement avec votre hotte. Gardez à l'esprit que la hotte peut expulser l'air par la sortie d'air supérieure uniquement.



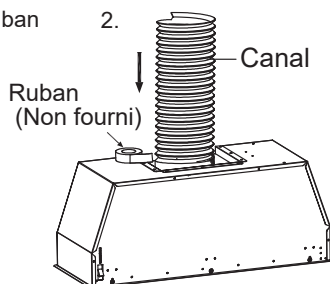
Montage sous l'unité murale

Remarque 1 : Avant de fixer la hotte au mur, percez un trou de 6½ po de diamètre dans le mur.
Remarque 2 : Dans tous les cas, vérifiez la position de la prise de courant sur laquelle le câble d'alimentation sera raccordé, puisqu'un trou devra éventuellement être percé dans l'unité murale pour l'accueillir.

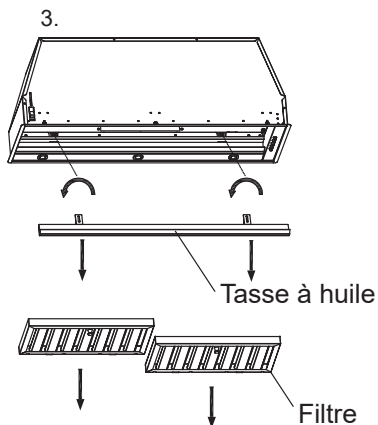
1. Fixez l'adaptateur métallique à la sortie d'air avec 2 vis ST2.9*8. et installez la lame sur la sortie d'air. Veuillez vous référer à la photo. 1.



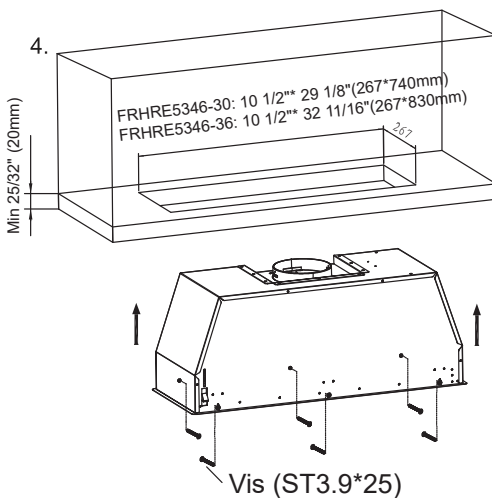
2. Fixez le conduit à l'adaptateur d'air avec du ruban adhésif. Veuillez vous référer à la photo. 2.



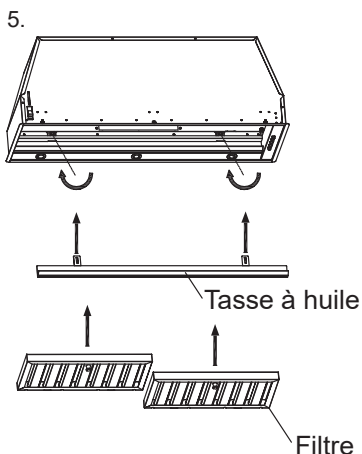
3. Maintenez le verrou du filtre et poussez le filtre vers l'arrière pour retirer les filtres. Dévisser les 2 vis indiquées sur la Fig. 3 et retirez la coupelle d'huile.



4. Veuillez couper le trou sur le panneau de l'armoire. La taille de découpe pour FRHRE5346-30 serait de 10 1/2" x 29 1/8" (267*740mm). La taille de découpe pour FRHRE5346-36 serait de 10 1/2" x 32 11/16" (267*830mm). Il est nécessaire que l'épaisseur du panneau de l'armoire soit de 25/32" (20 mm). Poussez la hotte vers le haut jusqu'au trou de l'armoire et fixez la hotte de l'intérieur au panneau de l'armoire avec 6 vis ST3.9*25. Veuillez vous référer à la photo. 4.



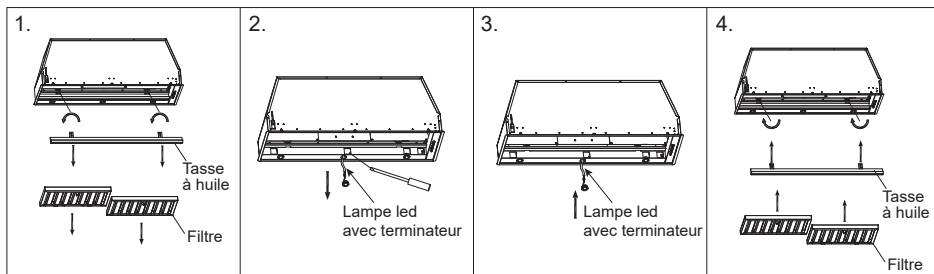
5. Remettez la coupelle d'huile en place et revissez les 2 vis. Remettez les filtres en place. Maintenez le verrou du filtre et repoussez le filtre vers la coupelle d'huile. Et puis repoussez-le en position. Ensuite, l'installation est terminée. Veuillez vous référer à la photo. 5.



L'installation est maintenant terminée.

COMMENT REMPLACER LA LAMPE LED ?

1. Retirez le filtre déflecteur. Desserrez la vis indiquée sur la photo 1 et retirez la coupelle d'huile.
2. Utilisez le tournevis pour pousser la lampe LED hors du panneau à travers le trou. Veuillez vous référer au choix 2 ci-dessous.
3. Débranchez le terminateur LED, puis remplacez-le par une nouvelle lampe LED. Et reconnectez le terminateur. Fixez la nouvelle lampe en position.
4. Remettez la coupelle d'huile en place et fixez les 2 vis en position. Remettez les filtres en place. Veuillez vous référer à la photo 4 ci-dessous.



DÉPANNAGE

Publier	Cause possible / Solution
La hotte aspirante ne s'allume pas	<ul style="list-style-type: none"> ▪ Vérifiez si la hotte est branchée. Assurez-vous que l'alimentation est allumée, que le fusible n'est pas grillé et que tous les câblages électriques sont correctement connectés.
La hotte s'allume mais la lumière LED ne s'allume pas	<ul style="list-style-type: none"> ▪ Remplacez l'ensemble LED défectueux. Reportez-vous à la section "COMMENT REMPLACER LA LAMPE LED".
La hotte de cuisine vibre lorsque le ventilateur est en marche	<ul style="list-style-type: none"> ▪ Vérifiez et serrez les vis de montage pour fixer correctement la hotte à l'armoire ou au mur.
Le ventilateur ou le ventilateur semble faible	<ul style="list-style-type: none"> ▪ Vérifiez que le diamètre de conduit utilisé est d'au moins 6". La hotte de cuisinière NE FONCTIONNERA PAS efficacement si la taille du conduit est insuffisante. Par exemple : Conduit de 6" sur évent supérieur de 7" et mal scellé. ▪ Vérifiez si le conduit est obstrué ou si le registre (clapet demi-circulaire) n'est pas installé correctement ou ne s'ouvre pas correctement. Un maillage serré sur un capuchon de paroi latérale peut également entraîner une restriction du flux d'air.

Carte de connexion

