



**FFFFD1722-28LS**  
**Forno 13.6 Cu.Ft. Upright Refrigerator/Freezer**

**BEFORE USE, PLEASE READ AND FOLLOW ALL SAFETY RULES AND  
OPERATING INSTRUCTIONS.**

## Customer Care

Thank you for purchasing a **FORNO** product. Please read the entire instruction manual before operating your new appliance for the first time. Whether you are an occasional user or an expert, it will be beneficial to familiarize yourself with the safety practices, features, operation and care recommendations of your appliance.

Both the model and serial number are listed inside the product. For warranty purposes, you will also need the serial number, the date of purchase & a copy of your proof of purchase. Record this information below for future reference.

### SERVICE INFORMATION

Use these number in any correspondence or service calls concerning your product.

Model Number

---

If you received a damaged product, immediately contact **FORNO**.

Serial Number

---

Save time and money. Before you call for service, check the Troubleshooting Guide. It lists the causes of minor operating problems that you can correct yourself.

Date of Purchase

---

Purchase Address & Phone

---

### SERVICE IN CANADA & UNITED STATES

Keep the instruction manual handy to answer your questions. You can also find all the information you need online at [www.forno.ca](http://www.forno.ca).

If you don't understand something or need more assistance, please visit our website or email: [info@forno.ca](mailto:info@forno.ca)

If there is a problem, please contact FORNO customer service. Please note that troubleshooting with a customer service representative will be needed before being able to send a service provider. All warranty work needs to be authorized by FORNO customer service. All our authorized service providers are carefully selected and rigorously trained by us.

## Warranty

### What this limited warranty covers:

The Warranty coverage provided by Forno Appliances in this statement applies exclusively to the original Forno appliance ("Product") sold to the consumer ("Purchaser") by an authorized Forno dealer/distributor/retailer, purchased and installed in the United States or Canada, and which has always remained within the original country of purchase (the United States or Canada). Warranty coverage is activated on the date of the Product's original retail purchase and has a duration of two (2) years.

Warranty coverage is non-transferable. In the event of replacement of parts or of the entire product, the replacement Product (or parts) shall assume the remaining original Warranty activated with the original retail purchase document. This Warranty shall not be extended with respect to such replacement. Forno Appliances will repair or replace any component/part which fails or proves defective due to materials and/or workmanship within 2 years of the date of the original retail purchase and under conditions of ordinary residential, non-commercial use. Repair or replacement will be free of charge, including labor at standard rates and shipping expenses. Purchaser is responsible for making the Product reasonably accessible for service. Repair service must be performed by a Forno Authorized Service company during normal working hours.

### IMPORTANT

Retain proof of original purchase to establish warranty period. Forno's liability on any claim of any kind, with respect to the goods and/or services provided, shall in no event exceed the value of the goods or service or part there of which has given rise to the claim.

### 30-Day Cosmetic Warranty

The Purchaser must inspect the product at the time of delivery. Forno warrants that the Product is free from manufacturing defects in materials and workmanship for a period of thirty (30) days from date of the original retail purchase of the Product.

#### This coverage includes:

- Paint blemishes
- Chips
- Macroscopic finish defects

#### Cosmetic warranty does NOT cover:

- > issues resulting from incorrect transport, handling and/or installation (e.g.: dents, broken, warped or deformed structures or components, cracked or otherwise damaged glass components);
- > slight color variations on painted/enameled components;
- > differences caused by natural or artificial lighting, location or other analogous factors;
- > stains/corrosion/discoloration caused by external substances and/or environmental factors;
- > labor costs, display, floor, B-stock, out- of-box, "as is" appliances and demo units.

#### How to receive service

To receive warranty services, the Purchaser must contact the Forno Support department in order to determine the problem and the required service procedures. Troubleshooting with a customer service representative will be necessary before moving forward with the service. Model number, serial number and date of original retail purchase will be requested.

### Warranty Exclusions: What Is Not Covered.

- > Use of the Product in any non-residential, commercial application.
- > Use of the Product for anything other than its intended purpose.
- > Repair services provided by anyone other than a Forno Authorized Service agency.
- > Damages or repair services to correct services provided by unauthorized parties or the use of unauthorized parts.
- > Installation not in accordance with local/state/city/county fire codes, electrical codes, gas codes, plumbing codes, building codes, laws or regulations.
- > Defects or damage due to improper storage of the Product.
- > Defects, damage or missing parts on products sold out of the original factory packaging or from displays.
- > Service calls or repairs to correct an incorrect installation of the Product and/or related accessories.
- > Replacement of parts/service calls to connect, convert or otherwise repair the electrical wiring and/or gas line in order to properly use the product.
- > Replacement of parts/service calls to provide instructions and information on the use of the Product.
- > Replacement of parts/service calls to correct issues arising from the product being used in a manner other than what is normal and customary for residential use.
- > Replacement of parts/service calls due to wear and tear of components such as seals, knobs, pan supports, shelving, cutlery baskets, buttons, touch displays, scratched or broken ceramic-glass tops.
- > Replacement of parts/service calls for lack of/improper maintenance, including but not limited to: build up of residues, stains, scratches, discoloration, corrosion.
- > Defects and damages arising from accidents, alteration, misuse, abuse or improper installation.
- > Defects and damages arising from Product transport, logistics and handling. Inspection of the product must be made at time of delivery. Following receipt and inspection, the selling dealer/delivery company must be notified of any issues arising from handling, transport and logistics.
- > Defects and damages arising from external forces beyond the control of Forno Appliances, including but not limited to wind, rain, sand, fires, floods, mudslides, freezing temperatures, excessive moisture or extended exposure to humidity, power surges, lightning, structural failures surrounding the appliance and other acts of God.
- > Products whose serial number has been altered/damaged/tampered with. In no case shall Forno be held liable or responsible for damage to surrounding property, including furniture, cabinetry, flooring, panels, and other structures surrounding the Product. Forno is neither liable nor responsible for the Product if it is located in a remote area or an area where certified trained technicians are not reasonably available. Purchaser must bear any transportation and delivery costs of the Product to the nearest Authorized Service Center or the additional travel expenses of a certified trained technician

THERE ARE NO EXPRESS WARRANTIES OTHER THAN THOSE LISTED AND DESCRIBED ABOVE, AND NO WARRANTIES, EITHER EXPRESS OR IMPLIED, INCLUDING, BUT NOT LIMITED TO, ANY IMPLIED WARRANTIES OF MERCHANTABILITY OR FITNESS FOR A PARTICULAR PURPOSE THAT SHALL APPLY AFTER THE EXPRESS WARRANTY PERIODS STATED ABOVE, AND NO OTHER EXPRESS WARRANTY OR GUARANTEE GIVEN BY ANY PERSON, FIRM OR CORPORATION WITH RESPECT TO THIS PRODUCT SHALL BE BINDING ON FORNO. FORNO SHALL NOT BE LIABLE FOR LOSS OF REVENUE OR PROFITS, FAILURE TO REALIZE SAVINGS OR OTHER BENEFITS, TIME AWAY FROM WORK, MEALS, LOSS OF FOOD OR BEVERAGES, TRAVELING OR HOTEL EXPENSES, EXPENSES TO RENT OR PURCHASE APPLIANCES, REMODELING/CONSTRUCTION EXPENSES IN EXCESS OF DIRECT DAMAGES WHICH ARE UNDENIABLY CAUSED EXCLUSIVELY BY FORNO OR ANY OTHER SPECIAL, INCIDENTAL OR CONSEQUENTIAL DAMAGES CAUSED BY THE USE, MISUSE OR INABILITY TO USE THIS PRODUCT, REGARDLESS OF THE LEGAL THEORY ON WHICH THE CLAIM IS BASED, AND EVEN IF FORNO HAS BEEN ADVISED OF THE POSSIBILITY OF SUCH DAMAGES. NOR SHALL RECOVERY OF ANY KIND AGAINST FORNO BE GREATER IN AMOUNT THAN THE PURCHASE PRICE OF THE PRODUCT SOLD BY FORNO AND CAUSING THE ALLEGED DAMAGE. WITHOUT PREJUDICE TO THE FOREGOING, PURCHASER ASSUMES ALL RISK AND LIABILITY FOR LOSS, DAMAGE OR INJURY TO PURCHASER AND PURCHASER'S PROPERTY AND TO OTHERS AND THEIR PROPERTY ARISING FROM THE USE, MISUSE, OR INABILITY TO USE THIS PRODUCT SOLD BY FORNO THAT IS NOT A DIRECT RESULT OF NEGLIGENCE ON THE PART OF FORNO THIS LIMITED WARRANTY SHALL NOT EXTEND TO ANYONE OTHER THAN THE ORIGINAL PURCHASER OF THIS PRODUCT, IS NON-TRANSFERABLE, AND STATES YOUR EXCLUSIVE REMEDY.

## Contents

Safety and warning information.....5	Cleaning and care.....18
Installing your new appliance..... 10	Helpful hints and tips..... 20
Description of the appliance.....13	Troubleshooting..... 21
Display controls .....14	Disposal of the appliance..... 22
Using your appliance.....17	



## Safety and warning information

For your safety and correct usage, before installing and first using the appliance, read this user manual carefully, including its hints and warnings. To avoid unnecessary mistakes and accidents, it is important to make sure that all people using the appliance are thoroughly familiar with its operation and safety features. Save these instructions and be sure that they remain with the appliance if it is moved or sold, so that anyone using it throughout its life, will be properly informed on its usage and safety notices.

For the safety of life and property, keep the precautions of these user's instructions as the manufacturer is not responsible for damages caused by omission.

### Safety for children and others who are vulnerable people

- According to EN standard

This appliance can be used by children aged from 8 years and above and persons with reduced physical, sensory or mental capabilities or lack of experience and knowledge if they have been given supervision or instruction concerning use of the appliance in a safe way and understand the hazards involved. Children shall not play with the appliance. Cleaning and user maintenance shall not be made by children without supervision.

- According to IEC standard

This appliance is not intended for use by persons (including children) with reduced physical, sensory or mental capabilities, or lack of experience and knowledge, unless they have been given supervision or instruction concerning use of the appliance by a person being responsible for their safety.

- Keep all packaging away from children as there is risk of suffocation.
- If you are discarding the appliance, pull the plug out of the socket, cut the connection cable (as close to the appliance as you can) and remove the door to prevent children playing from suffering an electric shock or from closing themselves inside it.
- If this appliance, featuring a magnetic door seals, is to replace an older appliance having a spring lock (latch) on the door or lid, be sure to make the spring lock unusable before you discard the old appliance. This will prevent it from becoming a death trap for a child.

### General safety



- **WARNING** - This appliance is intended to be used in household and similar applications such as
  - staff kitchen areas in shops, offices and other working environments;
  - farm houses and hotels, motels and other residential type environments;
  - bed and breakfast type environments;
  - catering and similar non-retail applications.
- **WARNING** - Do not store explosive substances such as aerosol cans with a flammable propellant in this appliance.
- **WARNING** - If the supply cord is damaged, it must be replaced by the manufacturer, its service agent or similarly qualified persons in order to avoid a hazard.
- **WARNING** - Keep ventilation openings, in the appliance enclosure or in the built-in structure, clear of obstruction.
- **WARNING** - Do not use mechanical devices or other means to accelerate the defrosting process, other than those recommended by the manufacturer.
- **WARNING** - Do not damage the refrigerant circuit.
- **WARNING** - Do not use electrical appliances inside the food storage compartments of the appliance, unless they are of the type recommended by the manufacturer.
- **WARNING** - The refrigerant and insulation blowing gas are flammable. When disposing of the appliance, do so only at an authorized waste disposal center. Do not expose to flame.
- **WARNING** -When positioning the appliance, ensure the supply cord is not trapped or damaged.
- **WARNING** -Do not locate multiple portable socket-outlets or portable power supplies at the rear of the appliance.

### **Replacing the illuminating lamps**

- **WARNING**-The illuminating lamps must not be replaced by the user! If the illuminating lamps is damaged, contact the customer helpline for assistance. This warning is only for refrigerators that contain illuminating lamps.

### **Refrigerant**

The refrigerant isobutene (R600a) is contained within the refrigerant circuit of the appliance, a natural gas with a high level of environmental compatibility, which is nevertheless flammable. During transportation and installation of the appliance, ensure that none of the components of the refrigerant circuit becomes damaged.

The refrigerant (R600a) is flammable.

**WARNING** — Refrigerators contain refrigerant and gases in the insulation.

Refrigerant and gases must be disposed of professionally as they may cause

eye injuries or ignition. Ensure that tubing of the refrigerant circuit is not damaged prior to proper disposal.

It is hazardous for anyone other than an Authorized Service Person to service this appliance. In Queensland the Authorized Service Person Must hold a Gas Work Authorized for hydrocarbon refrigerants to carry out servicing or repairs which involve removal of covers.



### **WARNING: Risk of fire / flammable materials**

If the refrigerant circuit should be damaged:

- Avoid opening flames and sources of ignition.
- Thoroughly ventilate the room in which the appliance is situated.

It is dangerous to alter the specifications or modify this product in any way. Any damage to the cord may cause a short circuit, fire, and/or electric shock.



### **Electrical safety**

1. The power cord must not be lengthened.
2. Make sure that the power plug is not crushed or damaged. A crushed or damaged power plug may overheat and cause a fire.
3. Make sure that you can access the main plug of the appliance.
4. Do not pull the main cable.
5. If the power plug socket is loose, do not insert the power plug. There is a risk of electric shock or fire.
6. You must not operate the appliance without the interior lighting lamp cover.
7. The fridge is only applied with power supply of single phase alternating current of 115V/60Hz. If fluctuation of voltage in the district of user is so large that the voltage exceeds the above scope, for safety sake, be sure to apply A.C. Automatic voltage regulator of more than 350W to the fridge. The fridge must employ a special power socket instead of common one with other electric appliances. Its plug must match the socket with ground wire.

### **Daily use**

- Do not store flammable gas or liquids in the appliance, there is a risk of an explosion.
- Do not operate any electrical appliances in the appliance (e.g. electric ice cream makers, mixers etc.).
- When unplugging always pull the plug from the mains socket, do not pull on the cable.
- Do not place hot items near the plastic components of this appliance.
- Do not place food products directly against the air outlet on the rear wall.
- Store pre-packed frozen food in accordance with the frozen food manufacturer's instructions.
- The appliances manufactures storage recommendations should be strictly

adhered to. Refer to relevant instructions for storage.

- Do not place carbonated or fizzy drinks in the freezer compartment as it creates pressure on the container, which may cause it to explode, resulting in damage to the appliance.
- Frozen food can cause frost burns if consumed straight from the freezer compartment.
- Do not place the appliance in direct sunlight.
- Keep burning candles, lamps and other items with naked flames away from the appliance so that do not set the appliance on fire.
- The appliance is intended for keeping food stuff and/or beverages in normal household as explained in this instruction booklet . You should take care when move it as the appliance is heavy.
- Do not remove nor touch items from the freezer compartment if your hands are damp/wet, as this could cause skin abrasions or frost/freezer burns.
- Never use the base, drawers, doors etc. to stand on or as supports.
- Frozen food must not be refrozen once it has been thawed out.
- Do not consume ice popsicles or ice cubes straight from the freezer as this can cause freezer burn to the mouth and lips.
- To avoid items falling and causing injury or damage to the appliance, do not overload the door racks or put too much food in the crisper drawers.
- **Note:**  
When the door is open, the LED lights is on. When the door is open at the same angle for 10 seconds, the LED lights is off.

## **CAUTION!**

### **Care and cleaning**

- Before maintenance, switch off the appliance and disconnect the mains plug from the mains socket.
- Do not clean the appliance with metal objects, steam cleaner, ethereal oils, organic solvents or abrasive cleansers.
- Do use a plastic scraper instead of a sharp object to remove frost from the appliance.

### ● **Installation Important!**


- For electrical connection carefully, follow the instructions given in this manual. Unpack the appliance and check if there are damages on it.
- Do not connect the appliance if it is damaged. Report possible damages immediately to Forno customer support. In this case retain packing.
- It is advisable to wait at least four hours before connecting the appliance to allow the oil to flow back in the compressor.
- Adequate air circulation should be around the appliance, lacking this leads to overheating. To achieve sufficient ventilation, follow the instructions relevant to installation.



- Wherever possible the back of the product should not be too close to a wall to avoid touching or catching warm parts (compressor) to prevent the risk of a fire, follow the instructions relevant to installation.
- The appliance must not be locating close to radiators or cookers.
- Make sure that the mains plug is accessible after the installation of the appliance.

### **Service**

- Any electrical work required to do the servicing of the appliance should be carried out by qualified electrician or competent person.
- This product must be serviced by an authorized Service Provider, and only genuine spare parts must be used.
  - 1)If the appliance is Frost Free.
  - 2)If the appliance contains freezer compartment.

 **WARNING: This product can expose you to chemicals including [Lead & Lead Compounds], which is [are] known to the State of California to cause cancer, birth defects and / or reproductive harm. To minimize exposure to these substances. Always operate this unit according the Owner's Manual, and ensure that you provide proper ventilation. For more information go to [www.P65Warnings.ca.gov](http://www.P65Warnings.ca.gov)**

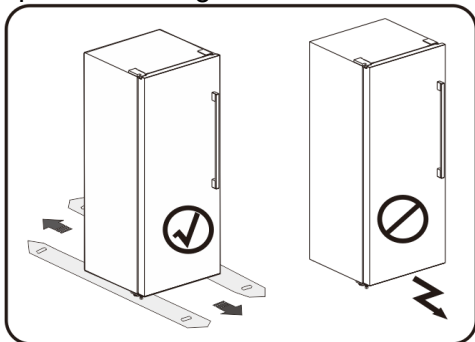
## Installing your new appliance

Before using this appliance for the first time, it's important to be aware of the following tips.

### Warning!

Please note that for proper installation, the refrigerator must be placed on a level surface of hard material that is the same height as the surrounding flooring. This surface must be strong enough to support the weight of a fully loaded refrigerator.

The rollers on the bottom of the refrigerator are designed for forward or backward movement only. Moving the refrigerator sideways may cause damage to both the floor and the rollers. Therefore, please avoid any lateral movement of the refrigerator to ensure its longevity and proper functioning.



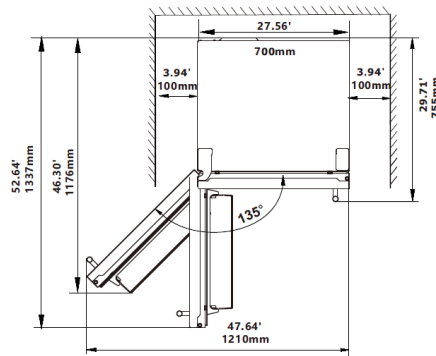
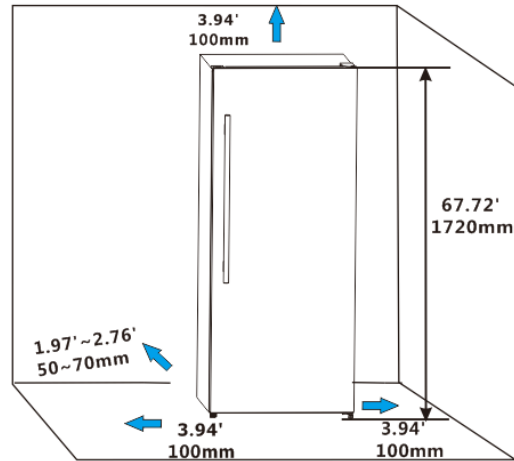
### Ventilation of appliance



To enhance the efficiency of the cooling system and save energy, it is crucial to maintain adequate ventilation around the refrigerator to dissipate heat. Therefore, there should be a sufficient clear space around the appliance.

**For optimal performance,** we recommend a minimum of 1.96" (50mm) of space between the back of the refrigerator and the wall, at least 3.94" (100mm) of space from the top of the refrigerator, and at least 3.94" (100mm) from the side of the refrigerator to the wall. Additionally, there should be enough clear space in front of the refrigerator to allow the doors to open 125°.

Please refer to the following diagrams for a visual representation of the recommended clearances.



### Note:

● This appliance performs well within the climate class from SN to T showed in the table below. It may not work properly if being left at a temperature above or below the indicated range for a long period.

Climate class	Ambient temperature
SN	+10°C to +32°C
N	+16°C to +32°C
ST	+16°C to +38°C
T	+16°C to +43°C

● Stand your appliance in a dry place to avoid high moisture.



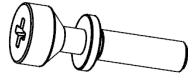

● Keep the appliance out of direct sunlight, rain or frost. Stand the appliance away from heat sources such as stoves, fires or heaters.

### Leveling of appliance

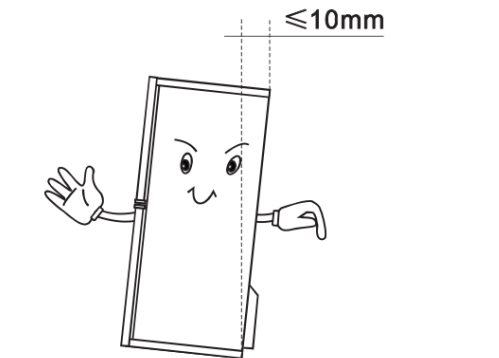
● For sufficient leveling and air circulating in the lower rear section of the appliance, the bottom feet may need to be adjusted. You

can adjust them manually by hand or by using a suitable spanner.

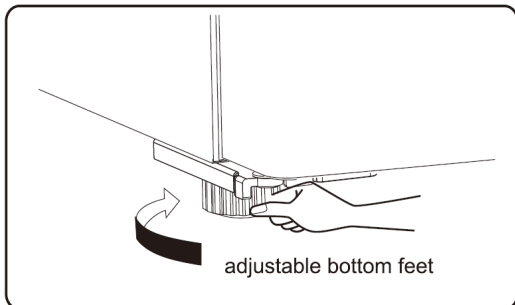
**Tools you will need:**

Not provided	
	Philips Screwdriver & Slotted Screwdriver
Provided	
	Allen wrench
	
	Handle supports
	
	Handle

•To allow the doors to self-close, tilt the top backwards by 10-15mm.



•You can adjust them manually by hand or using a suitable spanner.



**Note:**

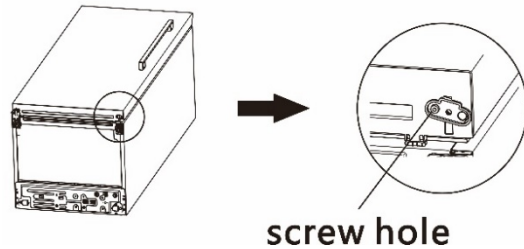
• If required you may lay the refrigerator on its back in order to gain access to the base, you should rest it on soft foam

packaging or similar material to avoid damaging the backboard of the refrigerator.

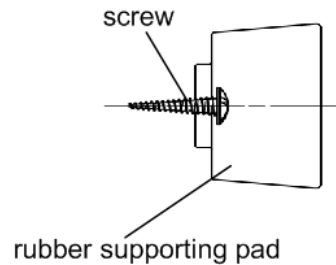
• There is no need to install these accessories under normal usage.

Only under extreme circumstances, this refrigerator may be at risk of tipping when the door is opened to a 90-degree angle. To prevent tipping, it is recommended to fasten rubber supporting pads to the lower base cover to stabilize the appliance

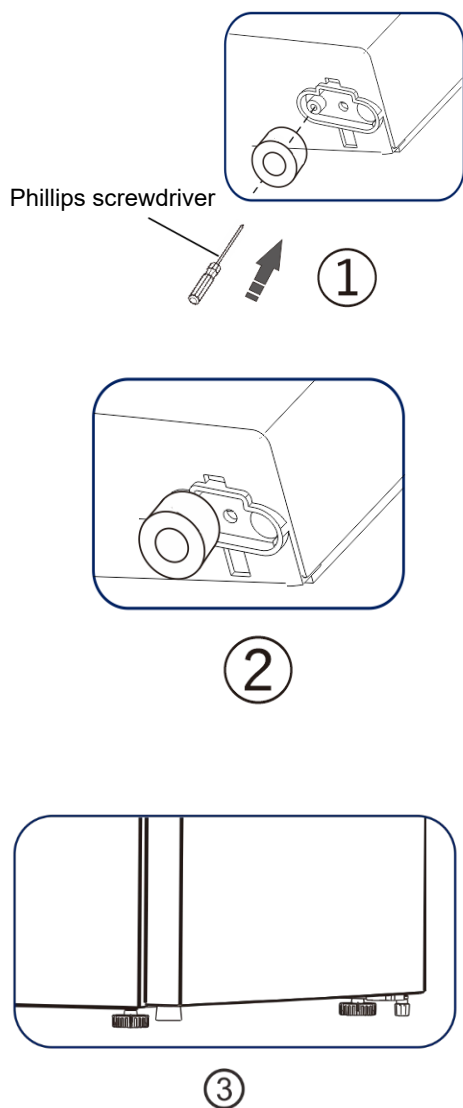
1. Tilt appliance to find screw hole on the left of lower base cover.



2. Put screw into the hole of rubber supporting pad.



3. Make screw in alignment with the hole on lower base cover. Fasten rubber supporting pad to the base cover firmly by a cross screwdriver (self-provided).

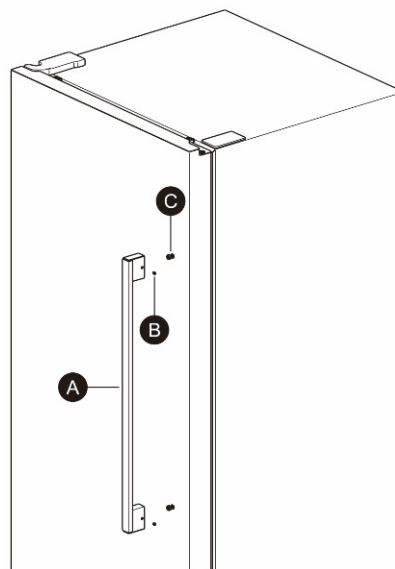


### Installing the handles

Before you use the appliance, you have to install the handles provided in the fridge compartment.

Please follow steps below to install and reverse the handle.

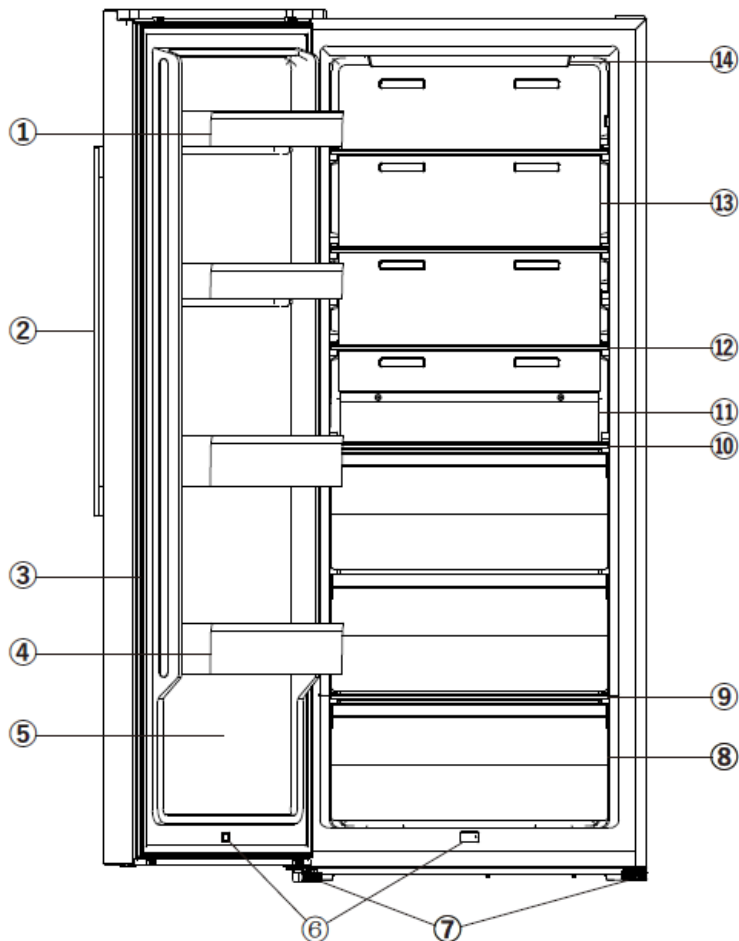
- Fasten the handle supports (C) to the door by using a Phillips screwdriver. **(not-provided)**.
- Place the handle (A) on the door by fitting the handle footprints over the handle supports (C), then fasten the screws (B) with Allen screwdriver **(provided)**.



## Description of the appliance

### View of the appliance

1. Door shelf (Small)
2. Handle
3. Door gasket
4. Door shelf (Big)
5. Door
6. Door switch
7. Adjustable bottom fee
8. Drawer
9. Glass shelf (Lower)
10. Glass shelf (Middle)
11. Lower air duct
12. Glass shelf (Upper)
13. Upper air duct
14. Display panel



#### Note !

- Due to unceasing modification of our products, your refrigerator may be slightly different from this instruction manual, but its functions and using methods remain the same.
- To get the best energy efficiency of this product, please place all shelves, drawers and baskets on their original position as the illustration above.

## Display controls

Use your appliance according to the following control regulations, your appliance has the corresponding functions as the control panels showed in the pictures below.



### Controlling the temperature

Use your appliance according to the following control regulations, your appliance has the corresponding functions as the control panels showed in the pictures below.

#### Caution!

When you set a temperature, you set an average temperature for the whole refrigerator compartment. Temperatures inside each compartment may vary from the temperatures displayed on the panel, depending on how much food you store and where you place it. High or low room temperature may also affect the actual temperature inside the appliance.

#### 1. **POWER** Hold 3Sec **POWER**

Press and hold the **POWER** button at least 3 seconds to enter/exit standby mode. After entering the standby mode, the **POWER** icon will light up, the temperature area will display "OFF", other icons will turn off, and other key functions will be invalid, until the original control is restored after pressing the button again to exit the standby mode.

#### 2. **Freezer/Fridge** Hold 3Sec **Freezer/Fridge conversion**

Press and hold **Freezer/Fridge** conversion button for 3 seconds to convert between freezer mode and fridge mode.

Afterwards, the light will go out, and then turn on or flash once. This is a normal phenomenon indicating that the conversion started and that the functionality of the unit was switched from one setting to another (**Freezer/Fridge**).

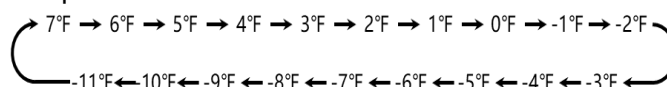
#### Caution!

- Before changing the compartment setting, make sure that the stored food is suitable for new setting mode. If not, please empty it first.
- When the freezer mode is changed to fridge mode, please open the door for 5 minutes before putting in the food that needs to be refrigerated.
- When the fridge mode is changed to freezer mode, please close the door and let the unit run for at least 200 minutes before putting in the food that needs to be frozen.
- When the fridge mode is changed to freezer mode, ensure there are no bottled or canned drinks (especially carbonated drinks) in the freezer compartment. Bottles and cans may explode.

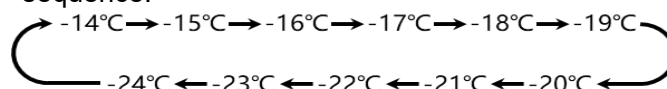
#### 3. **TEMP.** °F/°C Hold 3Sec **TEMP.**

Press the **TEMP.** button to adjust the temperature to the desired setting.

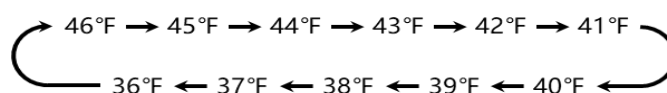
If you have set the Freezer compartment type to Fahrenheit, the temperature will be set in the following sequence.



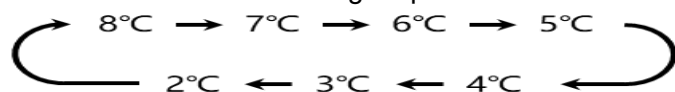
If you have set the Freezer compartment type to Celsius, the temperature will be set in the following sequence.



If you have set the Fridge compartment type to Fahrenheit, the temperature will be set in the following sequence.



If you have set the Fridge compartment type to Celsius, the temperature will be set in the following sequence.



4.  $\frac{\text{TEMP.}}{\text{°F/°C}}$  °F / °C  
Hold 3Sec

Press and hold the **TEMP.** button for 3 seconds to toggle between Celsius and Fahrenheit on the display.

#### 5. Door Alarm

When the door has been opened for over 2 minutes, the door alarm will come on.

In case of door alarm, the door alarm indicator will light up and blink, and "dr" is displayed in the temperature display area, meanwhile, the buzzer will **sound 3 times every 1 minute and will stop alarming automatically after 8 minutes**. The door alarm can be cleared by closing the door.

- If the door alarm goes on, you can turn it off by closing the door.

- If the door alarm goes on, you can press and hold the **MODE** button for at least 3 seconds to clear the door alarm sound, and then the control panel will show "dr" and the "Alarm" icon will light.

- To save energy, please avoid keeping the door open for a long time when using the appliance.

#### 6. Energy Saving

This function makes the refrigerator work in a power saving mode which is useful for reducing energy consumption when you are away.

Press the **MODE** button to turn on the Energy saving function. The **Energy Saving** icon will be illuminated.

- When the Energy Saving function is on, in the fridge state, the temperature is set to 6°C (43°F); in the freezer state, the temperature is set to -17°C (1°F).

- When **Energy Saving** function is on, you can turn it off by pressing the **MODE** or **TEMP.** button and the refrigerator temperature setting will revert back to the previous setting.

#### 7. Super Freeze

The **Super Freeze** feature helps to keep the food stored in the freezer at the set temperature during periods of high usage, large grocery loads, or temporarily warm room temperatures.

When on freezer mode, press the **MODE** button to turn on the Super Freeze function. The **Super Freeze/Super Cool** icon will be illuminated.

- When the Super Freeze function is on, in the freezer mode, the temperature is automatically set to -24°C (-11°F).

- When Super Freeze function is on, you can turn it off by pressing the **MODE** or **TEMP.** button and the refrigerator temperature setting will revert back to the previous setting.

- Super Freeze will automatically turn off after 52 hours.

**NOTE:** Do not leave glass bottles or canned drinks (especially carbonated drinks) in the freezer compartment. Bottles and cans may explode.

#### 8. Super Cool

The **Super Cool** feature helps to keep food stored in the refrigerator at the set temperature during periods of high usage, large grocery loads, or temporarily warm room temperatures.

When on the fridge mode, press the **MODE** button to turn on the Super Cool function. The **Super Freeze/Super Cool** icon will be illuminated.

- When the Super Cool function is on, in the fridge state, the temperature is set to 2°C (36°F).

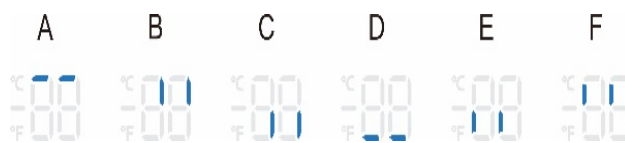
- When Super Cool function is on, you can turn it off by pressing the “MODE” or TEMP. button and the refrigerator temperature setting will revert back to the previous setting.

- Super Cool will automatically turn off after 6 hours.

### 8. Demo mode

Demo mode is for store display and it prevents the refrigerator from

generating cool air. In this of Cooling off Mode, the refrigerator may seem like it is working but it will not make cool air. The display panel will show special segments as follow.



Press and hold the POWER and MODE buttons at the same time for 3 seconds to turn off the demo mode and the buzzer gave a long sound.



## Using your appliance

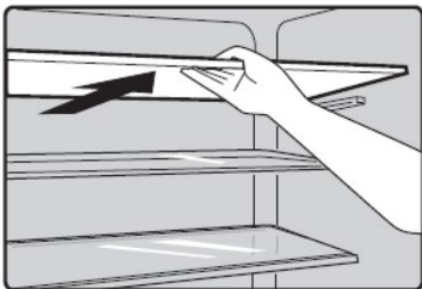
As indicated in the "Description of the Appliance," your appliance comes with various accessories. To ensure you use them correctly, please refer to this section of the instruction manual. We highly recommend reading through these instructions thoroughly before operating the appliance

### Door shelf

- These door shelves are ideal for storing eggs, canned liquids, bottled drinks, packed food, and other lightweight items. It's important to avoid placing too much weight on them to prevent damage or bending.
- The small shelves on the lower part of the door can be adjusted to different heights to accommodate your storage needs. We recommend removing the items from the shelf before adjusting its height to prevent spills or accidents

### Glass shelves

The refrigerator compartment features removable shelves for easy cleaning and maintenance.



### Crisper drawer

The crisper drawer is specifically designed to keep your vegetables and fruits fresh and crisp for longer periods of time. It provides an ideal storage environment that helps to maintain the natural moisture and flavor of your produce, while also protecting them from external elements that can cause spoilage



### Freezer compartment

The freezer compartment is designed to safely store frozen foods, including meat, ice, and other items that need to be kept at sub-zero temperatures.

Additionally, please avoid leaving drink bottles in the freezer for extended periods of time, as freezing liquids can cause bottles to crack or break. Be sure to remove them promptly after freezing, and handle them with care.

## Cleaning and care

To ensure that your appliance stays hygienic and functioning properly, it's recommended that you clean it (including both the exterior and interior accessories) at least every two months.

### **Warning!**

Before beginning the cleaning process, make sure to turn off the appliance and unplug it from the main socket to prevent electrical shock

### **Exterior cleaning**

Avoid using ethereal oils, abrasive cleansers, or organic solvents such as benzene, as these can damage the surface of the appliance and may even cause fire hazards. Instead, use a damp cloth or sponge with a mild detergent to wipe down the exterior regularly.

### **Interior cleaning**

For the interior, it's best to clean it regularly, especially when food stocks are low to make the process easier. Use a weak solution of baking soda and water to wipe down the inside of the fridge and freezer, and then rinse with warm water using a wrung-out sponge or cloth. Be sure to wipe everything dry before replacing the shelves and baskets, and thoroughly dry all surfaces and removable parts before putting them back into place.

Although this appliance features an automatic defrost function, frequent opening or leaving the freezer door open for too long may result in the formation of a layer of frost on the interior walls of the freezer compartment. If the frost is too thick, it's recommended that you defrost the freezer manually by following these steps:

1. Remove all existing food and accessories baskets from the freezer compartment. Unplug the appliance from the main power source and leave the doors open. To speed up the process, you can also ventilate the room thoroughly.

2. Wait for the frost to thaw completely, which may take several hours. Once the ice has melted, wipe down the interior of the freezer with a dry cloth or sponge to remove any excess moisture.

3. Thoroughly clean all of the removable parts and accessories with a mild detergent and warm water. Rinse and dry them completely before placing them back into the freezer.

4. Once everything is dry, plug the appliance back in and wait for it to cool down to its desired temperature before returning the food and accessories to the freezer.

## Cleaning and care

- Spray water onto a cleaning cloth instead of spraying directly on the surface of the appliance. This helps ensure an even distribution of moisture to the surface.
- Clean the doors, handles and cabinet surfaces with a mild detergent and then wipe dry with a soft cloth.

### **Caution!**

- Don't use sharp objects to clean with, as they are likely to scratch the surface.
- Don't use Thinner, Car detergent, bleach, your freezer as described above.

### **Karbib[ °**

Do not use sharp objects to remove frost from the freezer compartment. Only after the interior is completely dry should the appliance be switched back on and plugged back into the main socket.

### **Door seals cleaning**

Take care to keep door seals clean. Sticky food and drinks can cause seals to stick to the cabinet and tear when you open the door. Wash the seal with a mild detergent and warm water. Rinse and dry it thoroughly after cleaning.

**Caution!** Only after the door seals are completely dry should the appliance be powered on

### **Replacing the LED light**

Warning: The LED light must be replaced by a competent person. If the LED light is damaged, follow the steps below:

1. Unplug your appliance.
2. Remove light cover by rising up and pulling out the LED light.
3. Hold the LED light with one hand and pull it with the other hand while pressing the connector latch.
4. Replace LED light and snap it correctly in place and recover the light cover.

## Helpful hints and tips

### Energy saving tips

We recommend that you follow the tips below to save energy.

- Try to avoid keeping the door open for long periods in order to conserve energy. Ensure the appliance is away from any sources of heat (Direct sunlight, electric oven or cooker etc.)
- Don't set the temperature colder than necessary.
- Don't store warm food or evaporating liquid in the appliance.
- Place the appliance in a well ventilated, humidity free, room. Please refer to Installing your new appliance chapter.
- If the diagram shows the correct combination for the drawers, crisper and shelves, do not adjust the combination as this is designed to be the most energy efficient configuration.

### Hints for fresh food refrigeration

- Do not place hot food directly into the refrigerator or freezer, by doing so the internal temperature increase, resulting in the compressor having to work harder to decrease the temperature, therefore will consume more energy.
- Cover or wrap the food, particularly if it has a strong flavor.
- Place the food properly so that air can circulate freely around it.

### Hints for refrigeration

- Meat (All Types) should be wrapped in polythene food wrap and placed on the glass shelf above the vegetable drawer.
- Cooked food or other cold dishes should be stored in a container and can be placed on any shelf.
- Fruit and vegetables should be stored in the crisper drawer for optimal freshness.
- Butter and cheese should be wrapped in airtight foil or plastic film wrap.
- Milk bottles should have a lid and be stored in one of the door shelves.

### Hints for freezing

- When first starting-up or after a period out of use, let the appliance run at least 2 hours on the coldest settings before putting food in the compartment.
- Prepare food in small portions to enable it to be rapidly and completely frozen and to make it possible to subsequently thaw only the quantity required.
- Wrap up the food in aluminum foil or polyethylene food wraps which are airtight. • To prevent a rise in temperature of already frozen food, do not allow fresh or unfrozen food to come into contact with it. Keep them separated in the freezer.
- Iced products that are consumed immediately after being removed from the freezer may cause frost burns to the skin. It is best to let them thaw for a few minutes before consuming.
- To keep track of storage time, it is recommended to label and date each frozen package. This helps to ensure that food is used before it reaches its expiration date and helps to prevent food waste.

### Hints for the storage of frozen food

- To ensure the safety and quality of frozen food, it is important to make sure that it has been stored correctly by the food retailer.
- Once food has been defrosted, it will deteriorate rapidly and should not be re-frozen. Additionally, it is important not to exceed the storage period indicated by the food manufacturer.

### Switching off your appliance

If you need to switch off your appliance for an extended period of time, it is important to take the following steps to prevent mould from developing on the appliance:

1. Remove all food.
2. Remove the power plug from the mains socket.
3. Clean and dry the interior thoroughly.
4. Ensure that all the doors are wedged open slightly to allow air to circulate.

## Troubleshooting

If you experience a problem with your appliance or are concerned that the appliance is not functioning correctly, you can carry out some easy checks before calling for service, please see below.

**Warning!** Don't try to repair the appliance yourself. If the problem persists after you have made the checks mentioned below, contact a qualified electrician, authorized service engineer or the shop where you purchased the product.

Problem	Possible cause & Solution
Appliance is not working correctly	Check whether the power cord is plugged into the power outlet properly.
	Check the fuse or circuit of your power supply, replace if necessary.
	It is normal that the freezer is not operating during the defrost cycle, or for a short time after the appliance is switched on to protect the compressor.
Odours from the compartments	The interior may need to be cleaned.
	Some food, containers or wrapping cause odours.
Noise from the appliance	<p>The sounds below are quite normal:</p> <ul style="list-style-type: none"> <li>•Compressor running noises.</li> <li>•Air movement noise from the small fan motor in the freezer compartment or other compartments.</li> <li>•Gurgling sound similar to water boiling.</li> <li>•Popping noise during automatic defrosting.</li> <li>•Clicking noise before the compressor starts.</li> </ul>
	<p>Other unusual noises are due to the reasons below and may need you to check and take action:</p> <ul style="list-style-type: none"> <li>•The cabinet is not level.</li> <li>•The back of appliance touches the wall.</li> <li>•Bottles or containers fallen or rolling.</li> </ul>
The motor runs continuously	<p>It is normal to frequently hear the sound of the motor, it will need to run more when in following circumstances:</p> <ul style="list-style-type: none"> <li>•Temperature setting is set colder than necessary.</li> <li>•Large quantity of warm food has recently been stored within the appliance.</li> <li>•The temperature outside the appliance is too high.</li> <li>•Doors are kept open too long or too often.</li> <li>•After you installing the appliance or it has been switched off for a long time.</li> </ul>
A layer of frost occurs in the compartment	Check that the air outlets are not blocked by food and ensure food is placed within the appliance to allow sufficient ventilation. Ensure that door is fully closed. To remove the

	frost, please refer to the “Cleaning and care” chapter.
Temperature inside is too warm	You may have left the doors open too long or too frequently; or the doors are kept open by some obstacle; or the appliance is located with insufficient clearance at the sides, back and top
Temperature inside is too cold	Increase the temperature by following the “controls panel” chapter.
Doors can't be closed easily	Check whether the top of the refrigerator is tilted back by 10-15mm to allow the doors to self close, or if something inside is preventing the doors from closing.

## Disposal of the appliance

It is prohibited to dispose of this appliance as household waste.


### Packaging materials

Packaging materials with the recycle symbol are recyclable. Dispose of the packaging into a suitable waste collection container to recycle it.

### Before disposal of the appliance

1. Pull out the mains plug from the mains socket.
2. Cut off the power cord and discard with the mains plug

**Warning!** Refrigerators contain refrigerant and gases in the insulation. Refrigerant and gases must be disposed of professionally as they may cause eye injuries or ignition. Ensure that tubing of the refrigerant circuit is not damaged prior to proper disposal.

Correct Disposal of this product	
	<p>This symbol on the product or in its packing indicates that this product may not be treated as household waste. Instead, it should be taken to the appropriate waste collection point for the recycling of electrical and electronic equipment. By ensuring this product is disposed of correctly, you will help prevent potential negative consequences for the environment and human health, which could otherwise be caused by the inappropriate waste handling of this product. For more detailed information about the recycling of this product, please contact your local council your household waste disposal service, or the shop where you purchased the product.</p>