

Terrigena Furniture

STONE RANGE

price list 2020



www.terrigenafurniture.co.uk
tel: 01604 696030
The Rural Shopping Yard,
Castle Ashby, Northants. NN71LF

www.terrigenafurniture.co.uk

PRICELIST | Stone, furniture range

Terrigena Furniture



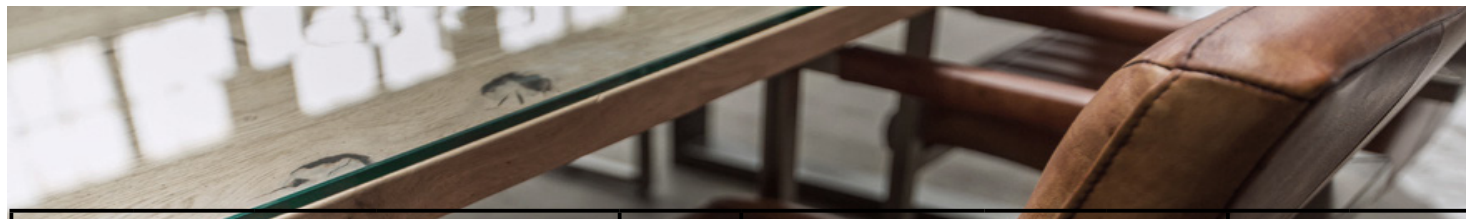
PRICELIST | Stone 40 + Stone 60

Terrigena Furniture



Description + drawing	Dimensions (cm)				C = 4 (2+2) cm			C = 6 (3+3) cm		
					Item. No.	Price (GBP)		Item. No.	Price (GBP)	
	Length	Width	Hight	A-B		Legs in steel: A / B / D	Legs in stain- less steel: C		Legs in steel: A / B / D	Legs in stain- less steel: C
LEG 1										
Solid table top in oak. U-legs in steel (see p. 13) 8x4 cm.	160	90	75	106	00507-1	1289	1417	00707-1	1404	1545
	180	90	75	126	00509-1	1356	1491	00709-1	1478	1626
	200	100	75	146	00510-1	1424	1566	00710-1	1552	1707
	220	100	75	166	00511-1	1572	1730	00711-1	1714	1885
	240	100	75	186	00513-1	1685	1854	00713-1	1831	2016
	260	100	75	206	00515-1	1864	2038	00715-1	2020	2223
	290	100	75	236	00517-1	2223	2445	00717-1	2423	2666
LEG X										
Solid table top in oak. X-legs in steel (see p. 13) 10x2 cm.	160	90	75	92	00507-X	1482		00707-X	1615	
	180	90	75	112	00509-X	1559		00709-X	1701	
	200	100	75	132	00510-X	1638		00710-X	1784	
	220	100	75	152	00511-X	1809		00711-X	1971	
	240	100	75	172	00513-X	1937		00713-X	2106	
	260	100	75	192	00515-X	2130		00715-X	2322	
	290	100	75	222	00517-X	2558		00717-X	2787	
LEG 6										
Solid table top in oak. U-legs in steel (see p. 13) 10x1 cm.	160	90	75	110	00507-6	1482		00707-6	1615	
	180	90	75	130	00509-6	1559		00709-6	1701	
	200	100	75	150	00510-6	1638		00710-6	1784	
	220	100	75	170	00511-6	1809		00711-6	1971	
	240	100	75	190	00513-6	1937		00713-6	2106	
	260	100	75	210	00515-6	2130		00715-6	2322	
	290	100	75	240	00517-6	2558		00717-6	2787	
W/ LEGS IN OAK										
LEG 7										
Solid table top in oak. U-legs in oak 8x4 cm.	160	90	75	106	00507-7	1289		00707-7	1404	
	180	90	75	126	00509-7	1356		00709-7	1478	
	200	100	75	146	00510-7	1424		00710-7	1552	
	220	100	75	166	00511-7	1572		00711-7	1714	
	240	100	75	186	00513-7	1685		00713-7	1831	
	260	100	75	206	00515-7	1864		00715-7	2020	
	290	100	75	236	00517-7	2223		00717-7	2423	
Leave for diningtables.	50	90			00500	301		00700	319	
	50	100			00501	319		00701	335	

PRICELIST | Stone Glass Terrigena Furniture



Description + drawing	Item. No.	Dimensions (cm)				Price (GBP)	
		Length	Width	Hight	A-B	Legs in steel: A / B / D	Legs in stain- less steel: C
LEG 1 Glass plate - on parquet glued table top in oak. C = 5,5 cm. U-legs in steel (see p. 13) 8x4 cm.	00907-1	160	90	75	106	1289	1417
	00909-1	180	90	75	126	1359	1494
	00910-1	200	100	75	146	1424	1566
	00911-1	220	100	75	166	1507	1658
	00913-1	240	100	75	186	1615	1777
LEG X Glass plate - on parquet glued table top in oak. C = 5,5 cm. X-legs in steel (see p. 13) 10x2 cm.	00907-X	160	90	75	92	1482	
	00909-X	180	90	75	112	1561	
	00910-X	200	100	75	132	1638	
	00911-X	220	100	75	152	1732	
	00913-X	240	100	75	172	1858	
LEG 6 Glass plate - on parquet glued table top in oak. C = 5,5 cm. U-legs in steel (see p. 13) 10x1 cm.	00907-6	160	90	75	110	1482	
	00909-6	180	90	75	130	1561	
	00910-6	200	100	75	150	1638	
	00911-6	220	100	75	170	1732	
	00913-6	240	100	75	190	1858	
	00917-6						
W/ LEGS IN OAK							
LEG 7 Glass plate - on parquet glued table top in oak. C = 5,5 cm. U-legs in oak 8x4 cm.	00907-7	160	90	75	106	1289	
	00909-7	180	90	75	126	1359	
	00910-7	200	100	75	146	1424	
	00911-7	220	100	75	166	1507	
	00913-7	240	100	75	186	1915	
	00915-7						
	00917-7						

Leave for diningtables (2 cm thick, no glass on top).	00900	50	90			202
	00901	50	100			210





Price; extra glass plate

90	-405	452	100	515	557	597		
	160	180		200	220	240		

PRICELIST | Stone, benches

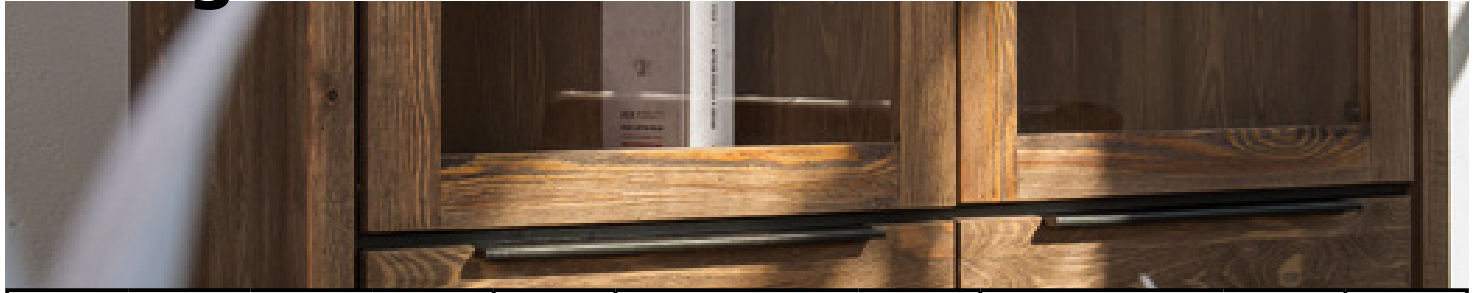
Terrigena Furniture

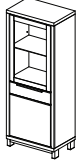
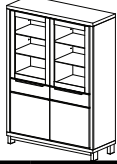
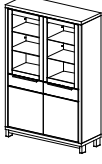
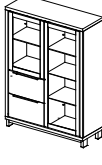
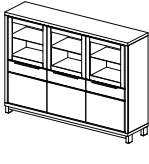
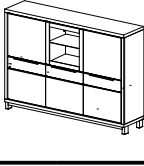
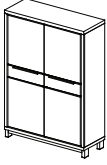
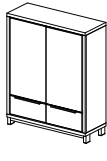


Description + drawing	Item. No.	Dimensions (cm)			Price (GBP)	
		Length	Width	Hight	Legs in steel: A / B / D	Legs in stain- less steel: C
LEG 1  Bench in solid oak. C = 4 cm. U-legs in steel (see p. 13) 8x4 cm.	00630-1	160	40	45	762	839
	00631-1	180	40	45	787	866
	00632-1	200	40	45	812	893
	00633-1	220	40	45	837	920
	00634-1	240	40	45	936	1028
LEG X  Bench in solid oak. C = 4 cm. X-legs in steel (see p. 13) 10x2 cm.	00630-X	160	40	45	877	
	00631-X	180	40	45	904	
	00632-X	200	40	45	933	
	00633-X	220	40	45	963	
	00634-X	240	40	45	1075	
LEG 6  Bench in solid oak. C = 4 cm. U-legs in steel (see p. 13) 10x1 cm.	00630-6	160	40	45	1010	
	00631-6	180	40	45	1041	
	00632-6	200	40	45	1073	
	00633-6	220	40	45	1107	
	00634-6	240	40	45	1237	
W/ LEGS IN OAK						
LEG 7  Bench in solid oak. C = 4 cm. u-legs in oak 8x4 cm.	00630-7	160	40	45	762	
	00631-7	180	40	45	787	
	00632-7	200	40	45	812	
	00633-7	220	40	45	837	
	00634-7	240	40	45	936	

PRICELIST | Stone, cabinets

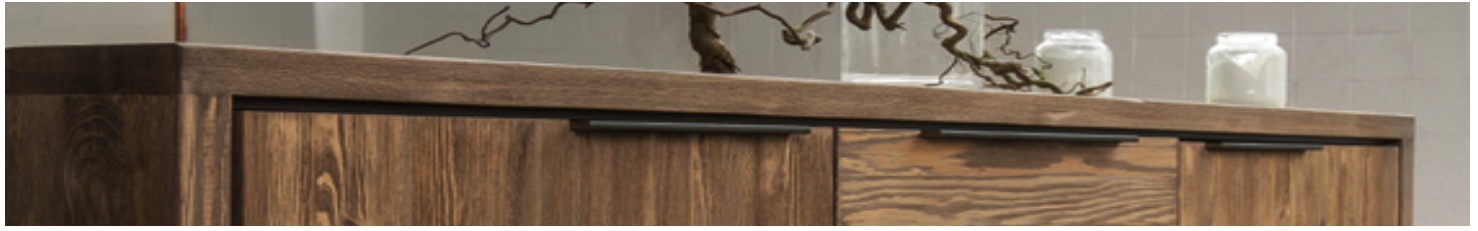
Terrigena Furniture

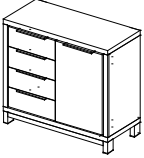
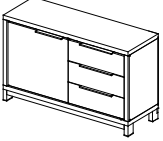
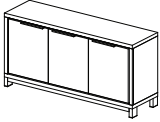
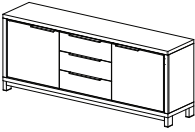
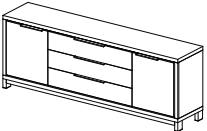
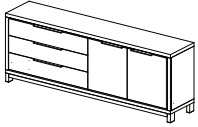
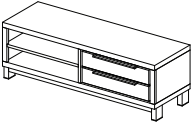
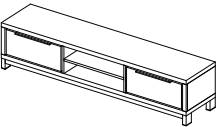


Description + drawing	Item. No.	Dimensions (cm)			Interior			Price (GBP)
		Width	Dept	Hight	Top	Middle	Bottom	
Stone cabinet in oak and glass with steel legs and handles. 2 handles to choose from.	 00547	70	45	180	2 glass shelves	1 drawer	1 wood shelf	1460
Stone cabinet in oak and glass with steel legs and handles. 2 handles to choose from.	 00544	120	45	166	2+2 glass shelves	2 drawers	1+1 wood shelves	2229
Stone cabinet in oak and glass with steel legs and handles. 2 handles to choose from.	 00584	120	45	180	2+2 glass shelves	2 drawers	1+1 wood shelves	2803
Stone cabinet in oak and glass with steel legs and handles. 2 handles to choose from.	 00586	120	45	166	1+1 glass shelves	1 drawer, 1 gl. shelf	1 drawer, 1 gl. shelf	2355
Stone cabinet in oak and glass with steel legs and handles. 2 handles to choose from.	 00549	190	45	137	1+1+1 glass shelves	3 drawers	1+1+1 wood shelves	2787
Stone cabinet in oak and glass with steel legs and handles. 2 handles to choose from.	 00585	190	45	137	1+1 wo.+1 gl. shelves	3 drawers	1+1+1 wood shelves	2787
Stone cabinet in oak with steel legs and handles. 2 handles to choose from.	 00545	120	45	166	1+1 wood shelves	2 drawers	1+1 wood shelves	2056
Stone cabinet in oak with steel legs and handles. 2 handles to choose from.	 00546	120	45	149	2+2 wood shelves	2 drawers	2 drawers	1937

PRICELIST | Stone, side- + TV boards

Terrigena Furniture

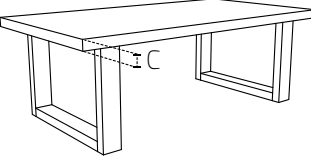
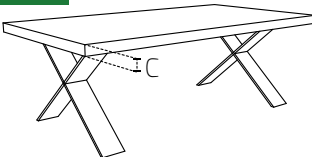
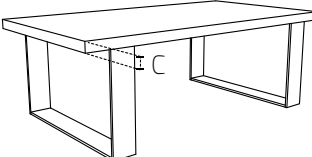
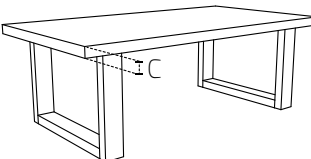


Description + drawing	Item. No.	Dimensions (cm)			Interior			Price (GBP)
		Width	Dept	Hight	Left	Middle	Right	
<p>Stone sideboard in oak with steel legs and handles.</p> <p>2 handles to choose from.</p> 	00542	100	45	90	4 drawers		1 wodnen shelf	1525
<p>Stone sideboard in oak with steel legs and handles.</p> <p>2 handles to choose from.</p> 	00541	131	45	80	1 wooden shelf		3 drawers	1525
<p>Stone sideboard in oak with steel legs and handles.</p> <p>2 handles to choose from.</p> 	00536	160	45	80	1 wooden shelf	1 wooden shelf	1 wooden shelf	1521
<p>Stone sideboard in oak with steel legs and handles.</p> <p>2 handles to choose from.</p> 	00535	200	45	80	1 wooden shelf	3 drawers	1 wooden shelf	1948
<p>Stone sideboard in oak with steel legs and handles.</p> <p>2 handles to choose from.</p> 	00538	220	45	80	1 wooden shelf	3 drawers	1 wooden shelf	2119
<p>Stone sideboard in oak with steel legs and handles.</p> <p>2 handles to choose from.</p> 	00539	220	45	80	3 drawers		1 long shelf	2119
<p>Stone TV-board in oak with steel legs and handles.</p> <p>2 handles to choose from.</p> 	00581	135	45	45	1 wooden shelf		2 drawers	1350
<p>Stone TV-board in oak with steel legs and handles.</p> <p>2 handles to choose from.</p> 	00582	200	45	45	1 drawer	1 wooden shelf	1 drawer	1685

PRICELIST | Stone 40 coffee tables

Terrigena Furniture

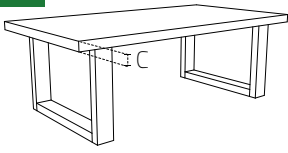
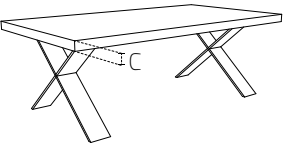
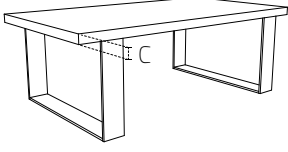
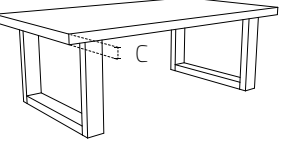


Description + drawing	Item. No.	Dimensions (cm)				Price (GBP)	
		Length	Width	Hight	C	Legs in steel: A / B / D	legs in stain- less steel: C
LEG 1  Solid table top in oak. U-legs in steel (see p. 13) 8x4 cm.	00655-1	60	60	45	4	447	492
	00656-1	90	90	45	4	742	816
	00657-1	115	65	45	4	780	859
	00658-1	130	70	45	4	837	920
	00659-1	140	80	45	4	920	1012
LEG X  Solid table top in oak. X-legs in steel (see p. 13) 10x2 cm.	00655-X	60	60	45	4	515	
	00656-X	90	90	45	4	852	
	00657-X	115	65	45	4	897	
	00658-X	130	70	45	4	960	
	00659-X	140	80	45	4	1057	
LEG 6  Solid table top in oak. U-legs in steel (see p. 13) 10x1 cm.	00655-6	60	60	45	4	515	
	00656-6	90	90	45	4	852	
	00657-6	115	65	45	4	897	
	00658-6	130	70	45	4	960	
	00659-6	140	80	45	4	1057	
W/ LEGS IN OAK							
LEG 7  Solid table top in oak. u-legs in oak 8x4 cm.	00655-7	60	60	45	4	447	
	00656-7	90	90	45	4	742	
	00657-7	115	65	45	4	780	
	00658-7	130	70	45	4	837	
	00659-7	140	80	45	4	920	

PRICELIST | Stone Glass coffee tables

Terrigena Furniture



Description + drawing	Item. No.	Dimensions (cm)				Price (GBP)	
		Length	Width	Height	C	Legs in steel: A / B / D	Legs in stain- less steel: C
LEG 1  <p>Glass plate - on par- quet glued table top in oak. U-legs in steel (see p. 13) 8x4 cm.</p>	1	60	60	45	4,5	456	504
	1	90	90	45	4,5	756	832
	1	115	65	45	4,5	796	877
	1	130	70	45	4,5	852	938
	1	140	80	45	4,5	938	1032
LEG X  <p>Glass plate - on par- quet glued table top in oak. X-legs in steel (see p. 13) 10x2 cm.</p>	X	60	60	45	4,5	526	
	X	90	90	45	4,5	870	
	X	115	65	45	4,5	915	
	X	130	70	45	4,5	981	
	X	140	80	45	4,5	1077	
LEG 6  <p>Glass plate - on par- quet glued table top in oak. U-legs in steel (see p. 13) 10x1 cm.</p>	6	60	60	45	4,5	526	
	6	90	90	45	4,5	870	
	6	115	65	45	4,5	915	
	6	130	70	45	4,5	981	
	6	140	80	45	4,5	1077	
W/ LEGS IN OAK							
LEG 7  <p>Glass plate - on par- quet glued table top in oak. U-legs in oak 8x4 cm.</p>	7	60	60	45	4,5	456	
	7	90	90	45	4,5	756	
	7	115	65	45	4,5	796	
	7	130	70	45	4,5	852	
	7	140	80	45	4,5	938	

WOOD COLOURS



OAK C3
Lacquered

We treated this wood with lacque.

C3 are only made for products without patination.



OAK C4
Natural oiled

We treated this wood with our 'Natural oil'.



OAK C6
White oiled

We treated this wood with our 'White oil'.



OAK C8
Soaped

We treated this wood with soap.



OAK C11
Dark grey oiled

We treated this wood with our 'Dark grey oil'.



OAK C12
Antique brown oiled

We coloured this wood with our 'Antique brown oil'.



OAK C13
Light grey oiled

We treated this wood with our 'Light grey oil'.



OAK C14
Black oiled

We coloured this wood with black stain, and treated it with a wax oil.

C14 is for legs and storage furniture only!



OAK C15
Mocca brown oiled

We coloured this wood with our 'Mocca brown oil'.



OAK C20
Grey brown oiled

We coloured this wood with our 'Grey brown oil'.



OAK C44
Black matt lacquered

We coloured this wood with black stain, and treated it with matt lacque.

C44 is only for plates and can only be made for products without patination.

WOOD FINISH

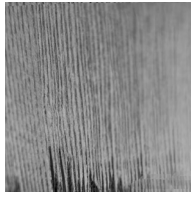


UP

Without patination

The wood is planned and sanded to achieve a smooth surface.

With few and smaller knots.



AP

Antique patination

Scratches and other fake signs of wear is added to give the wood a patinated look as if the wood has been worn.

May contain more and larger knots.

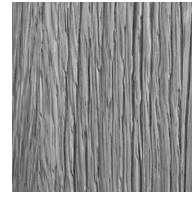


SC

Soft Cracks

Naturally occurring cracks are made more visible which gives a rustic look with cracks in the surface.

May contain more and larger knots.

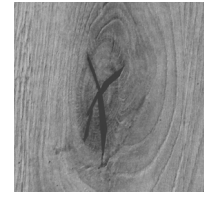


RL

Raw Look

We brush off the layer of softer wood which gives a look of wood that has been roughened by natural wear.

May contain more and larger knots.



FK

Filled Knots

The knots are filled and the wood is planned and sanded to achieve a smooth surface.

Only for OAK!

STEEL COLOUR & FINISH



A

Industrial steel

Industrial steel has a raw and matt appearance with shades of colors emerged during casting. **Marks and scratches are a characteristic of this finish**



B

Black painted steel

Black painted steel has a graphical and simple look, that fits nicely in most homes.



C

Brushed stainless steel

Brushed, stainless steel has an elegant appearance with a uniform finish created by hand.

HANDLES



F

Flat handle

This flat handle in industrial steel has been hand made by our own blacksmith. This handle gives you furniture a modern, clean and rustic look.



S

Square handle

This square handle in industrial steel has been hand made by our own blacksmith. This handle gives you furniture a nice and simple but also industrial look.

PRICELIST | care products

Terrigena Furniture

- **STONE**
- **FOREST**
- **LADEN**

TIP: Give your new furniture a post-treatment with oil or wax before you start using them!

We offer you a selection of care products - specially developed for our range!



NATURE OIL | 600 ml

36 GBP



WAX OIL | 500 ml

36 GBP



WHITE OIL | 500 ml

36 GBP



BLACK OIL | 500 ml

36 GBP



LIGHT GREY OIL | 500 ml

36 GBP



WAX | 180 ml

21 GBP



SOAP | 600 ml

26 GBP