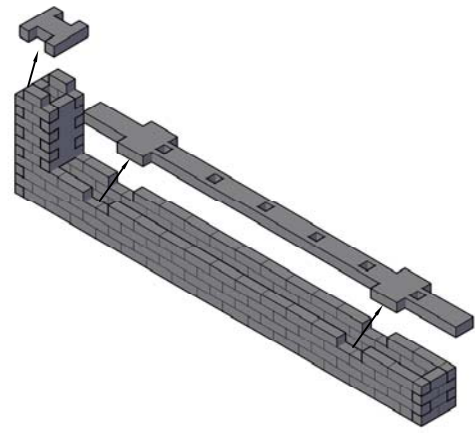
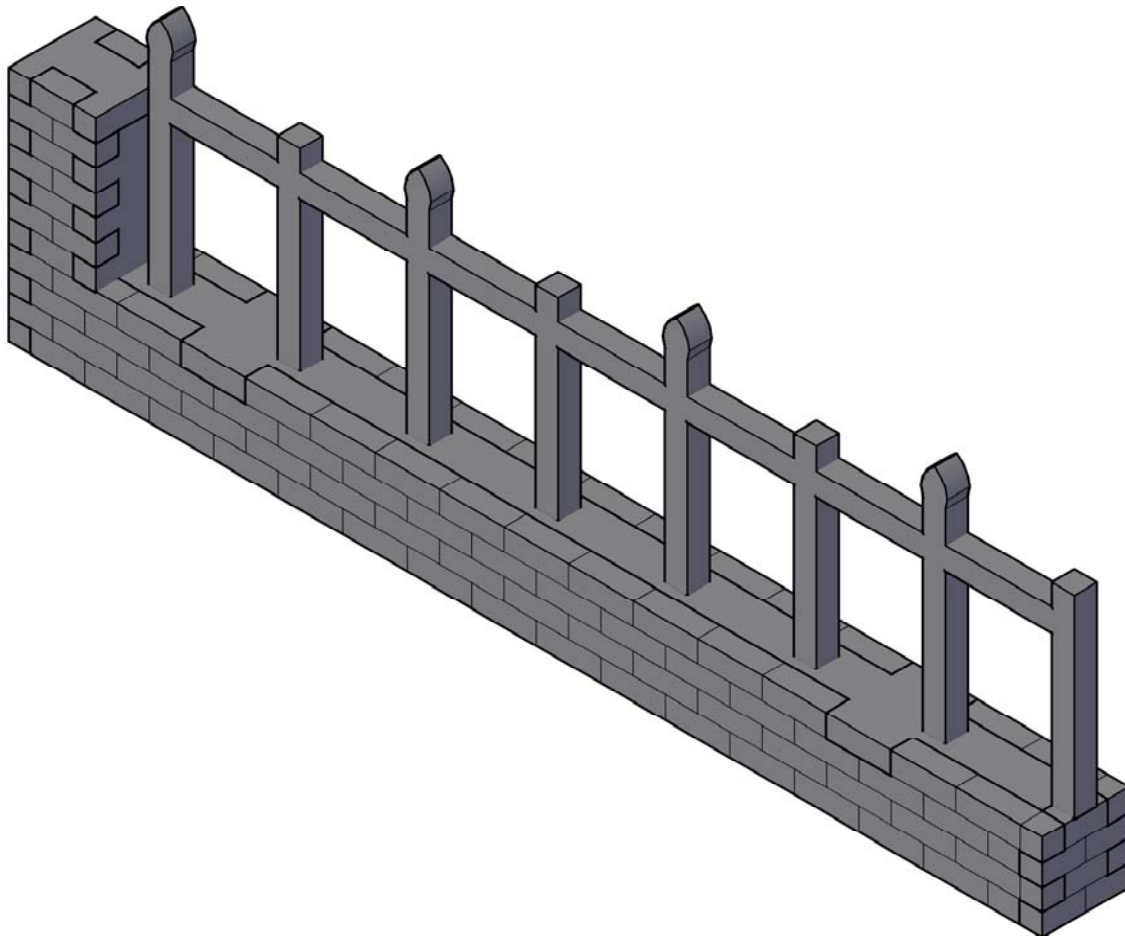


STEP:01 – GLUE SIDES



STEP:02 – GLUE TOPS



STEP:03 – FENCE CAN BE LEFT MODULAR OR GLUED IN.