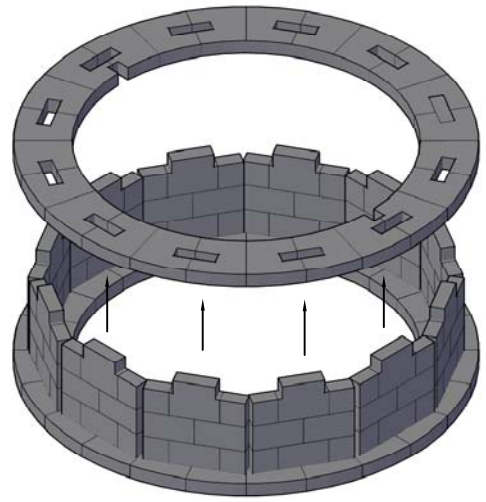
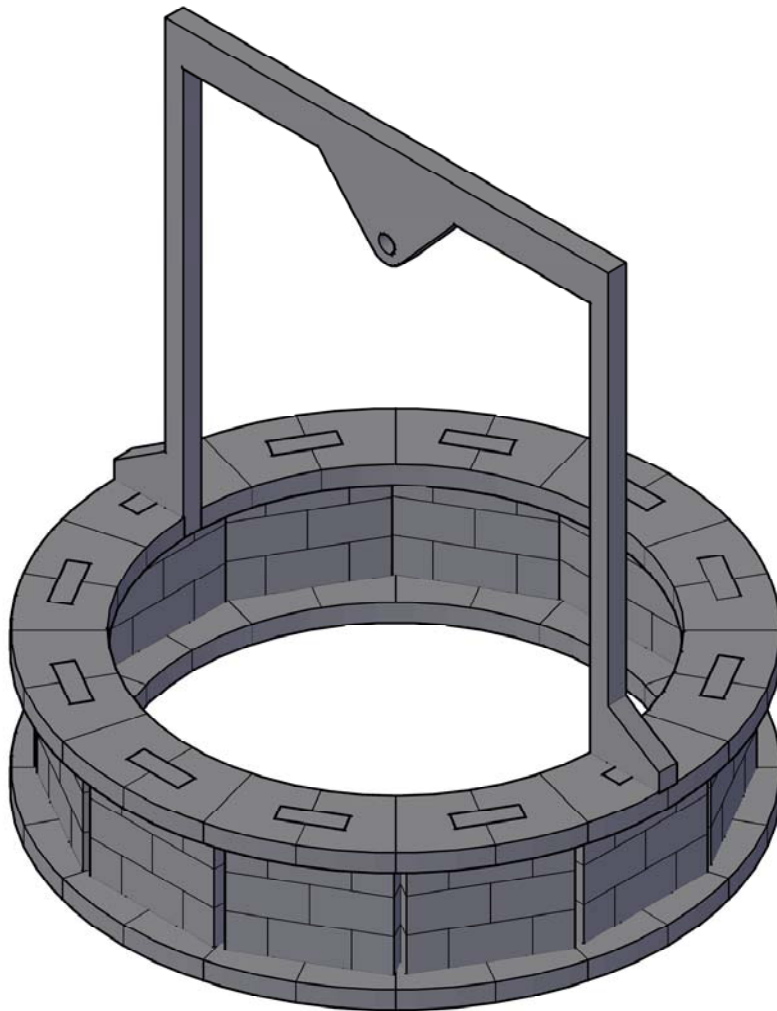


STEP:01 – GLUE SIDES TO BOTTOM



STEP:02 – GLUE TOP



STEP:03 – LINE SUPPORT CAN BE LEFT MODULAR OR GLUED IN.