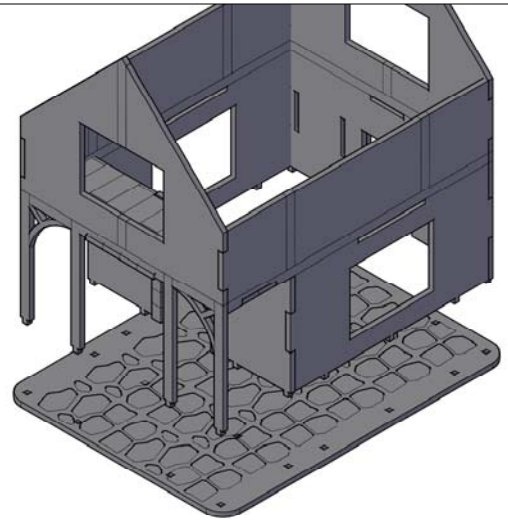
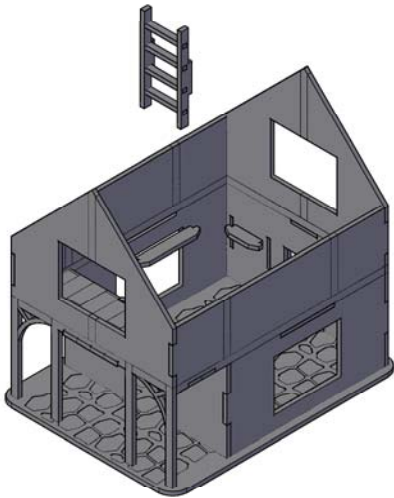


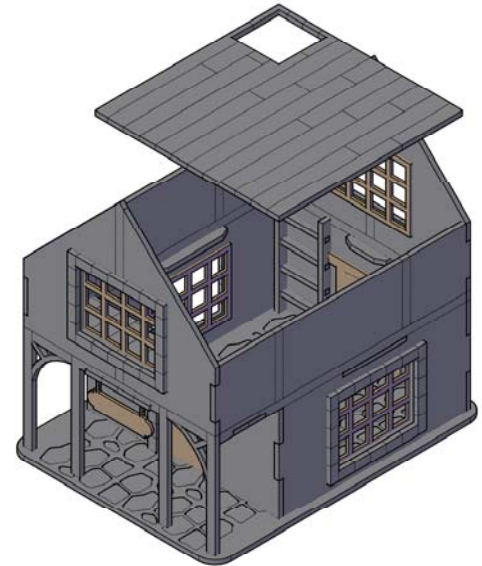
STEP: 01 – GLUE SIDES OF STRUCTURE



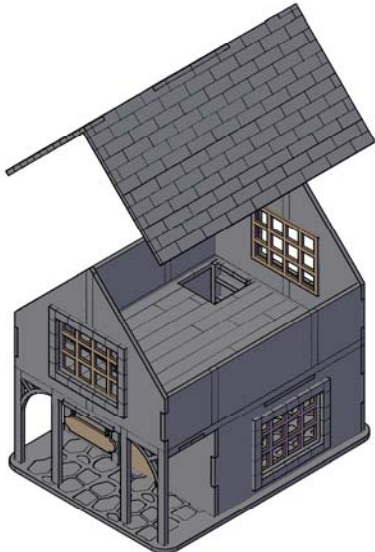
STEP: 02 – LEAVE BASE INSERTS MODULAR



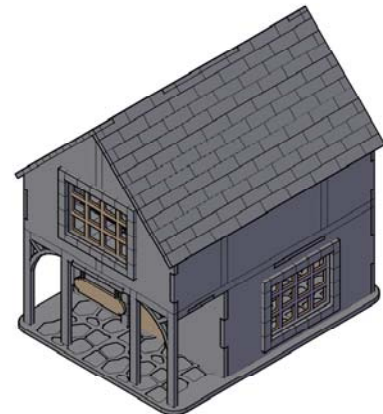
STEP: 03 – GLUE IN LADDER AND UPPER FLOOR SUPPORTS IN PLACE



STEP: 04 – GLUE IN CARDBOARD AND WINDOW FRAMES – FLOOR IS MODULAR



STEP: 05 – ROOF IS LEFT MODULAR FOR INTERIOR ACCESS



FINISHED!!