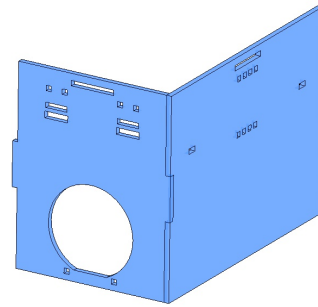
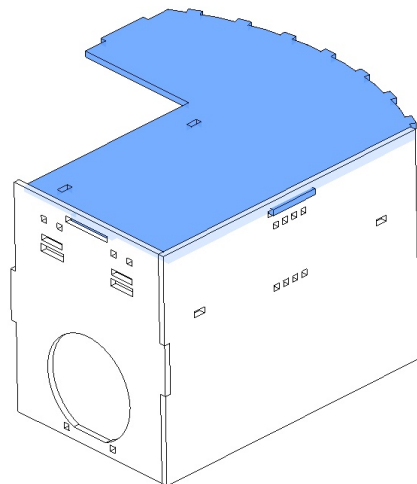


Assemble Walls

Glue walls together as shown

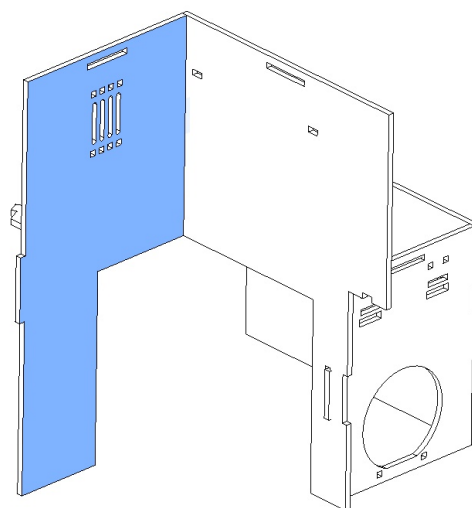
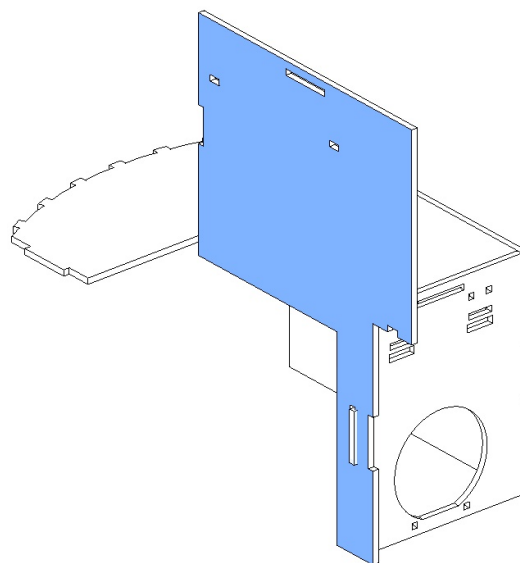


Glue roof in while walls are drying



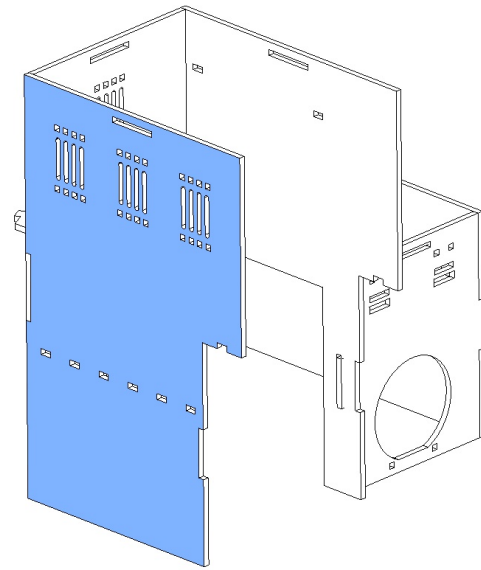
Assemble Walls cont.

Glue walls together as shown

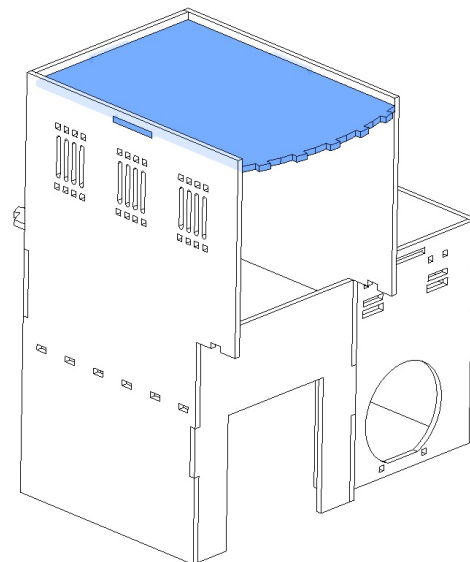


Assemble Walls cont.

Glue walls together as shown

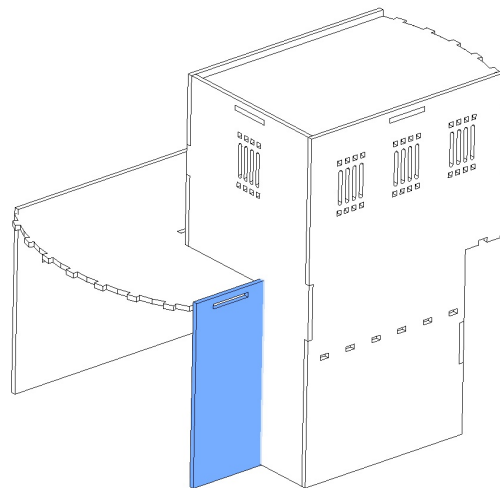
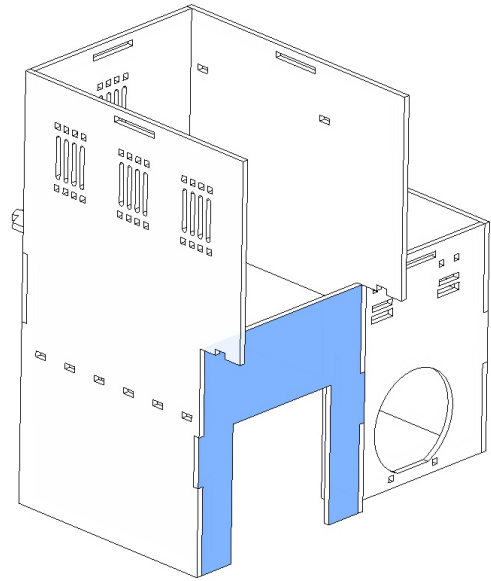


Glue roof in while walls are drying



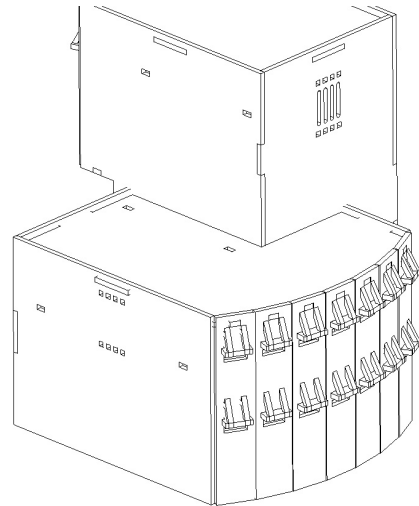
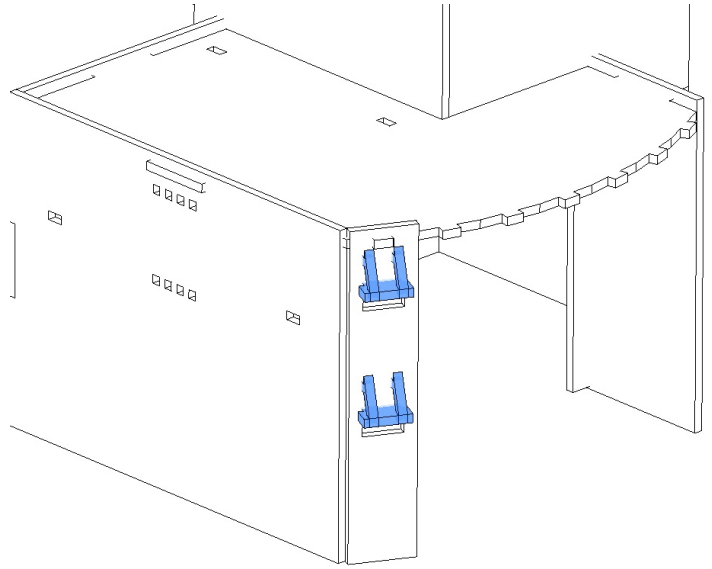
Assemble Walls cont.

Glue walls together as shown



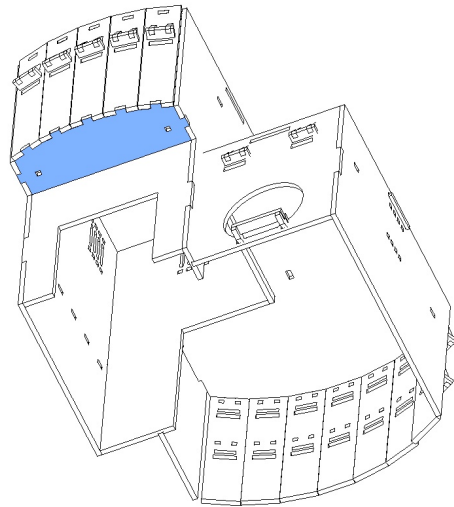
Assemble Walls cont.

Assemble pannels onto side

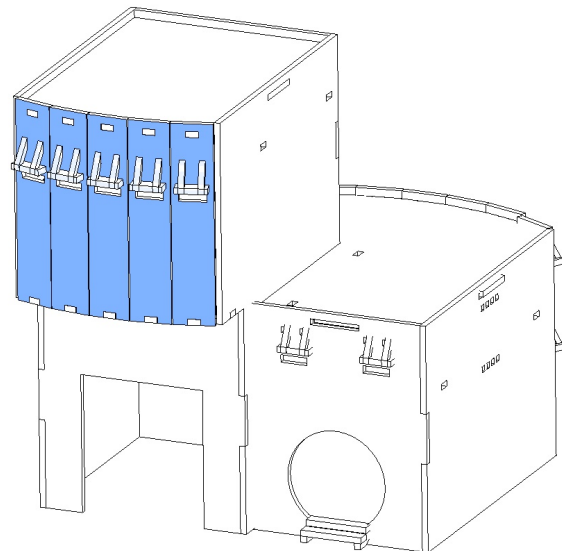


Assemble Walls cont.

Glue bottom support as shown

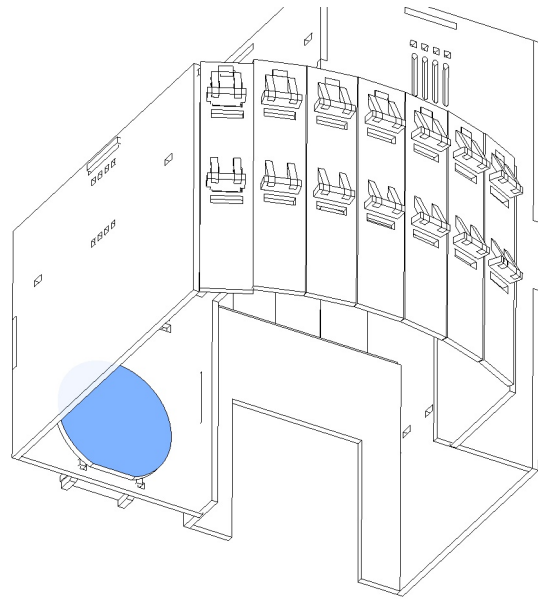


Glue panels to frame

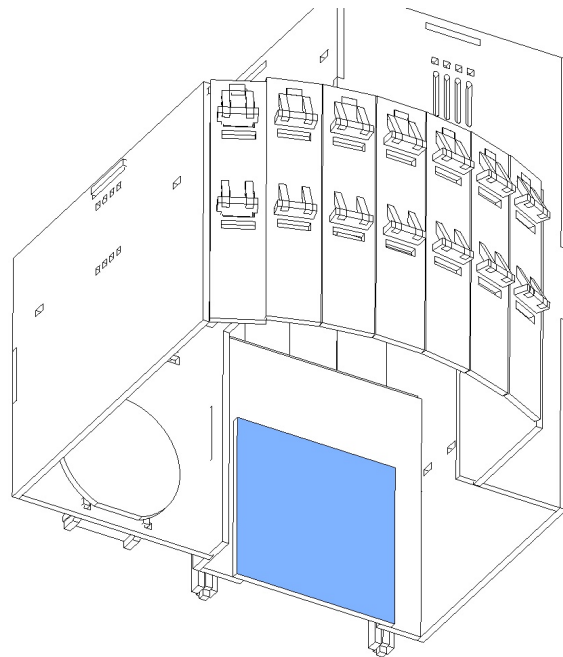


Assemble Details

Glue small door in as shown

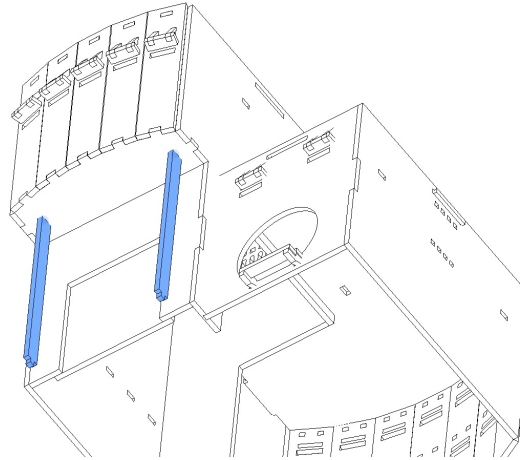


Glue large door in

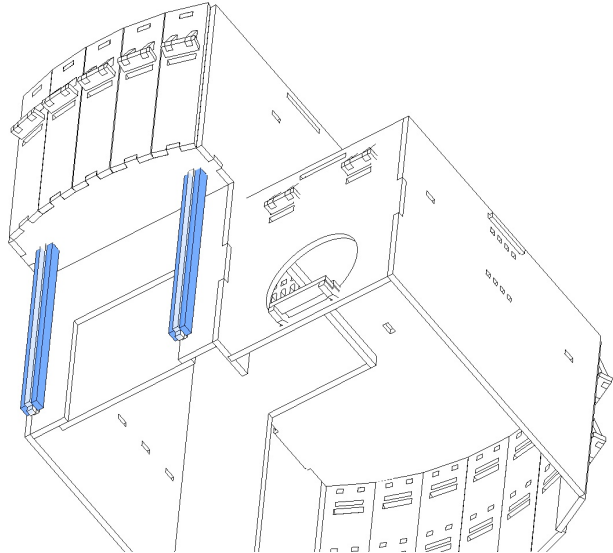


Assemble Details cont.

Glue in bottom support centers

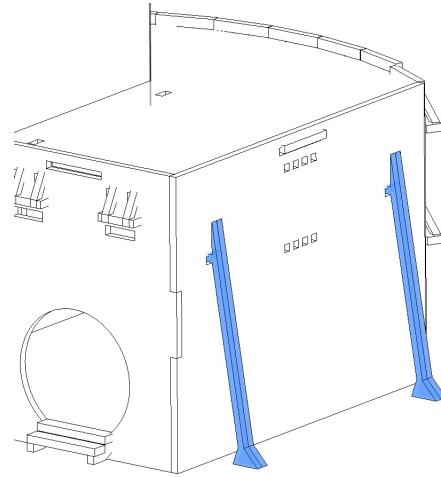


Add sides to supports

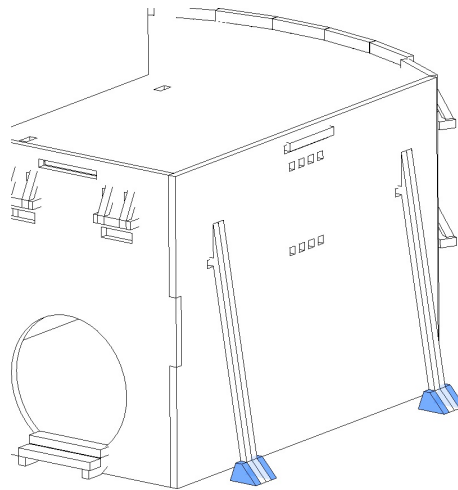


Assemble Details cont.

Glue in side supports (2 layers thick each)

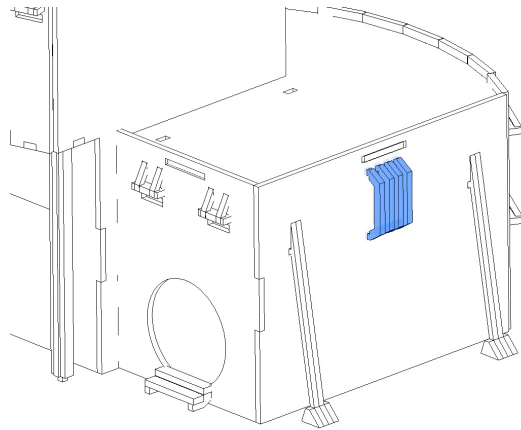


Glue in the support bases

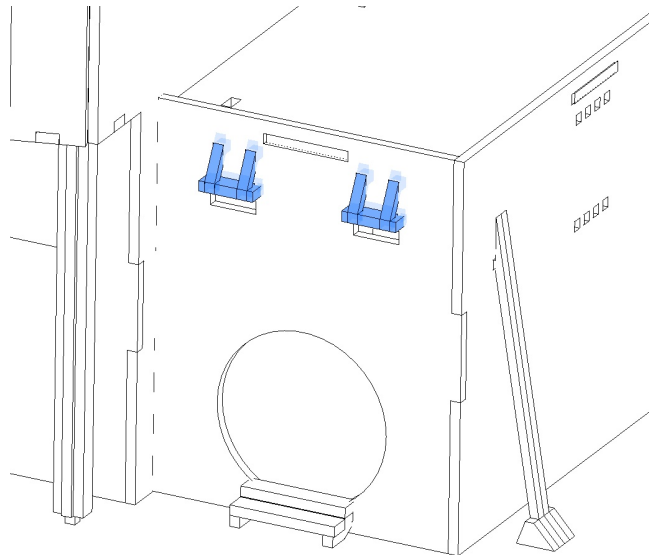


Assemble Details cont.

Glue in window bars

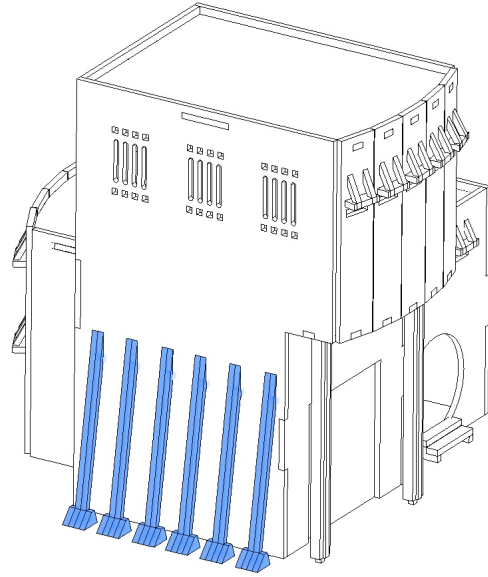


Add details to windows

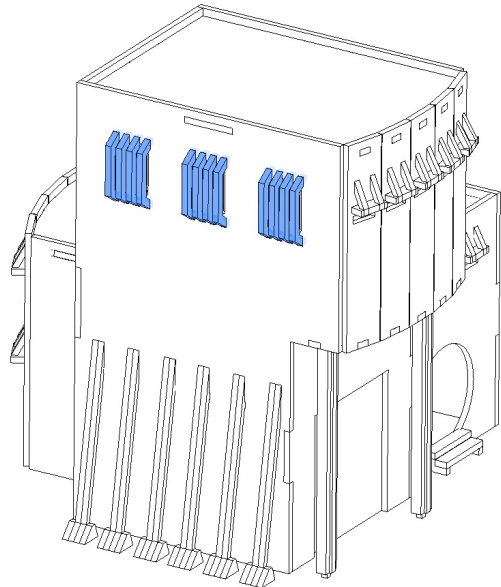


Assemble Details cont.

Glue in supports (assemble in similar fashion to previous instructions)

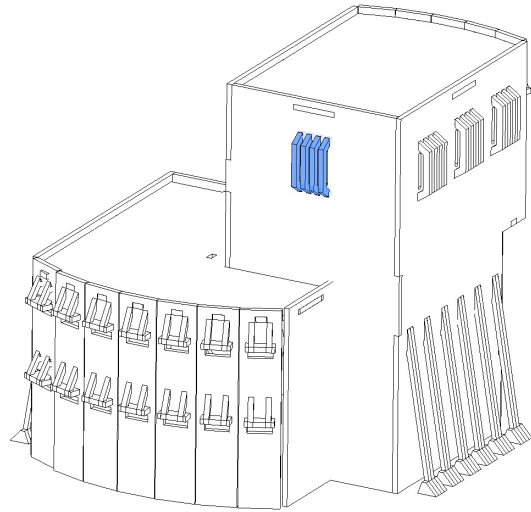


Glue in window bars as shown

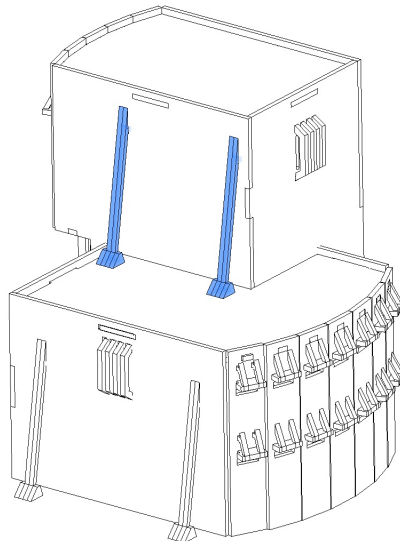


Assemble Details cont.

Glue in window bars as shown

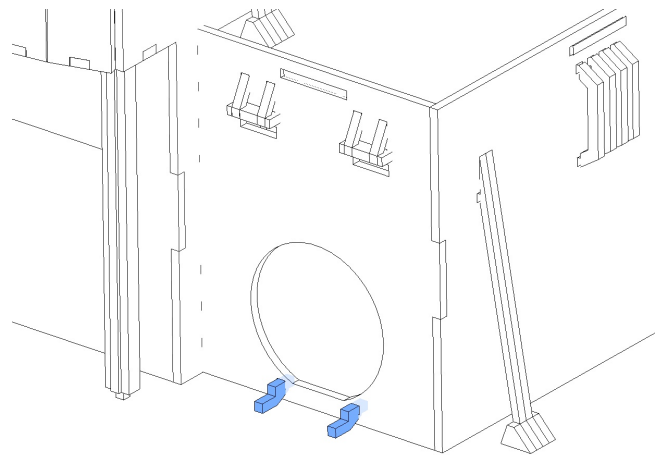


Glue in side supports as shown

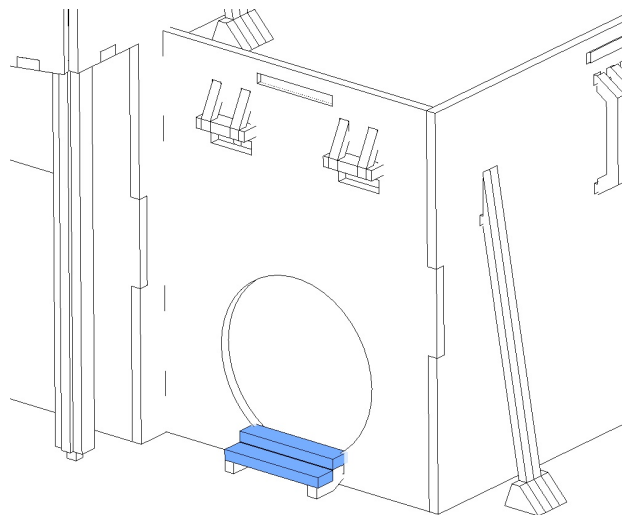


Assemble Details cont.

Glue in front stair supports



Add in stair steps



Assemble Details cont.

Glue building to base if you wish!

