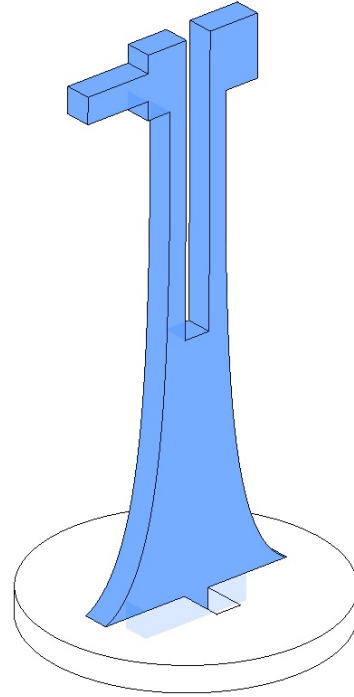
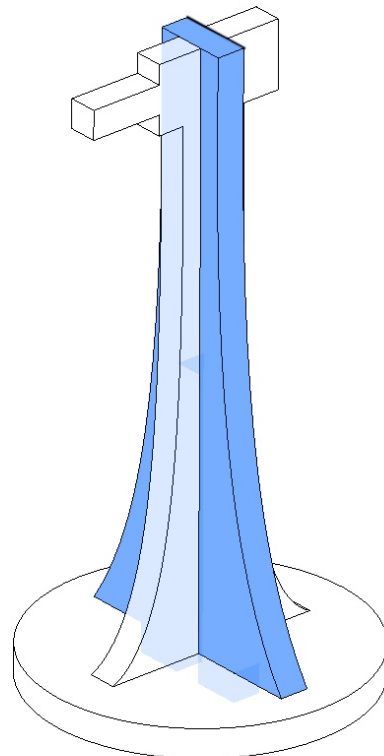


Assemble Turbines

Glue first support to the base.

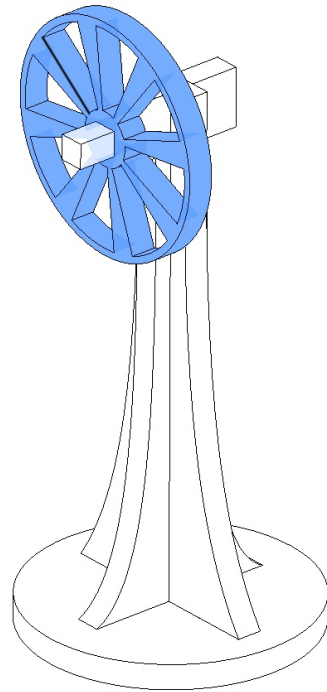


Slot second support and glue in place

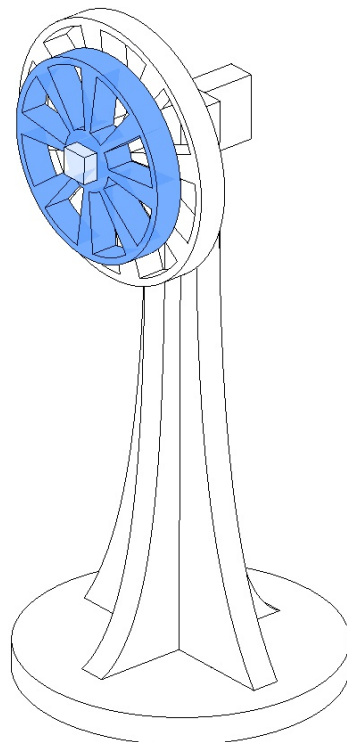


Assemble Turbine cont.

Glue fan to supports

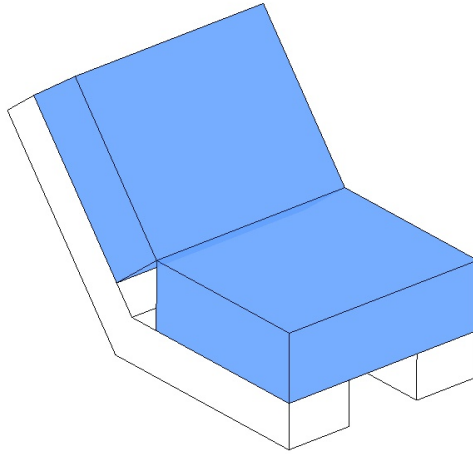


Glue second fan in place



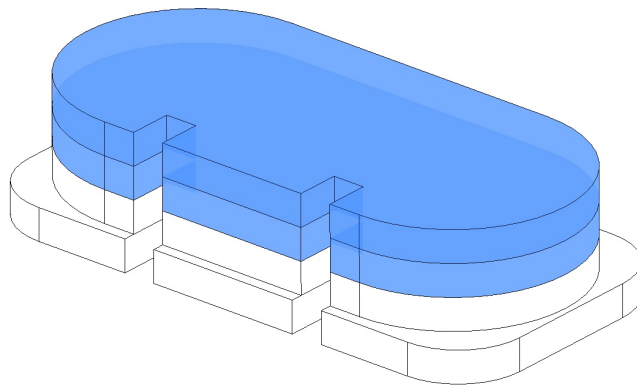
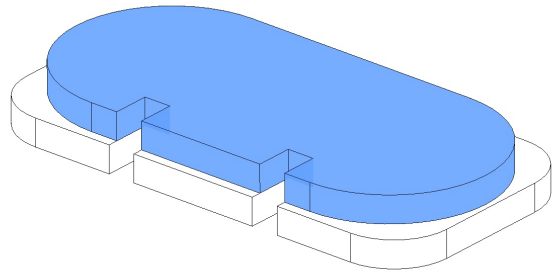
Assemble Laptop

Glue panels to angled supports as shown



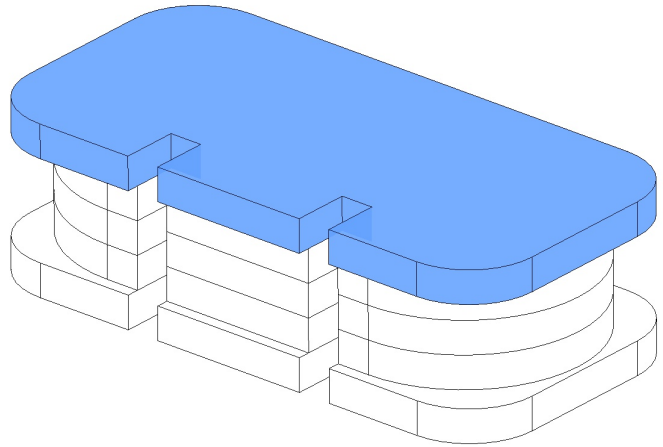
Assemble Crate 1

Glue center ovals (3x layers) to base

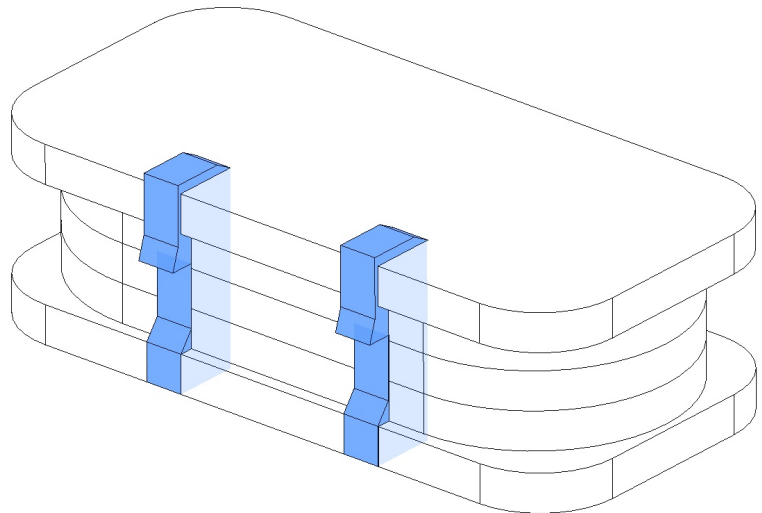


Assemble Crate 1 cont.

Glue top to previous layers

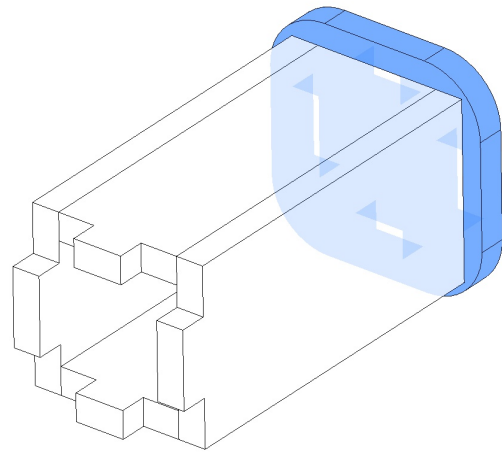


Glue in front supports as shown

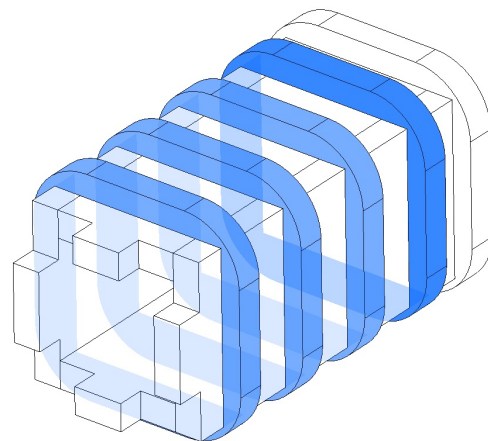


Assemble Crate 2

Glue side walls to one end cap piece

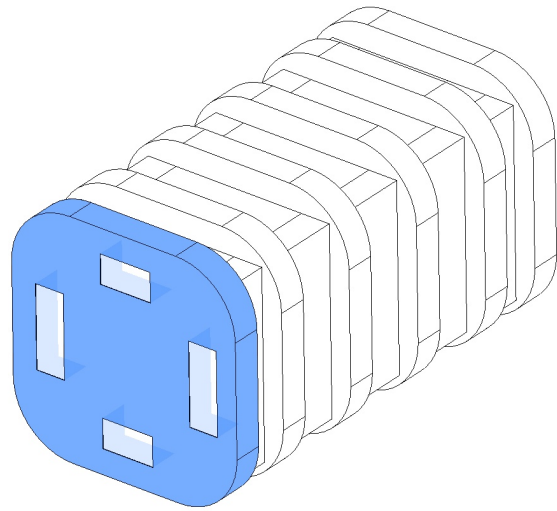


Glue in rails, evenly spaced over length of crate



Assemble Crate 2 cont.

Glue end piece on assembly



Arrange elements onto the base
(and glue in place if you wish)

