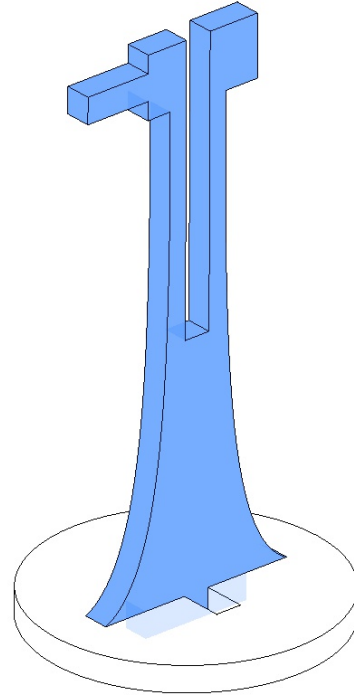
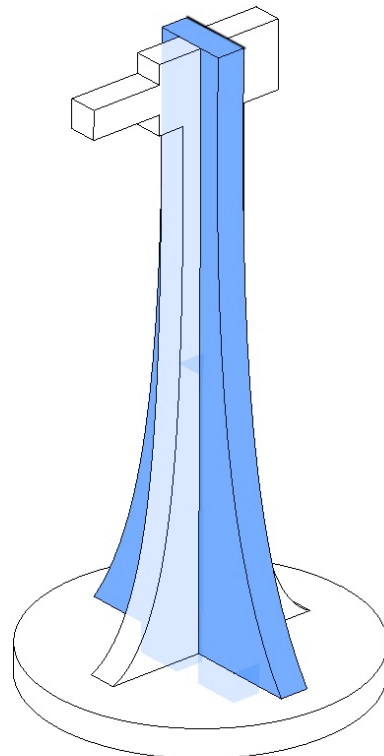


# Assemble Turbines

Glue first support to the base.

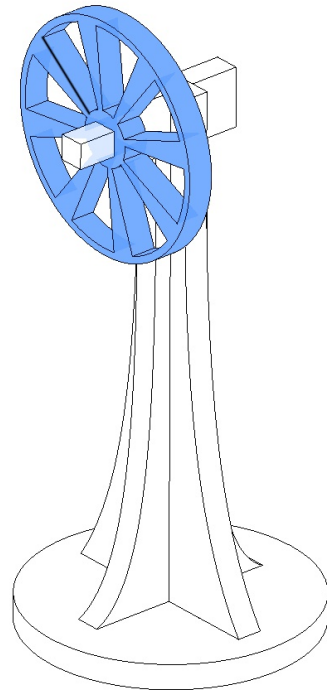


Slot second support and glue in place

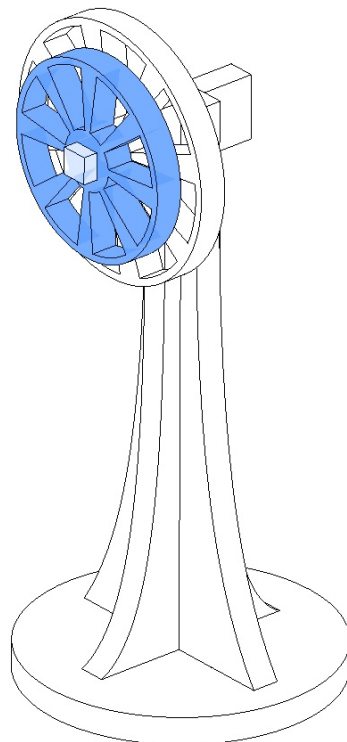


# Assemble Turbine cont.

Glue fan to supports

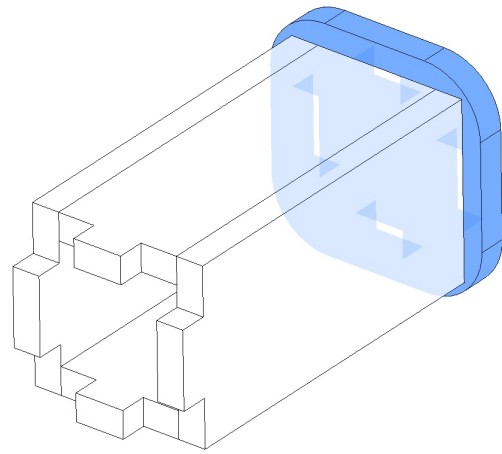


Glue second fan in place

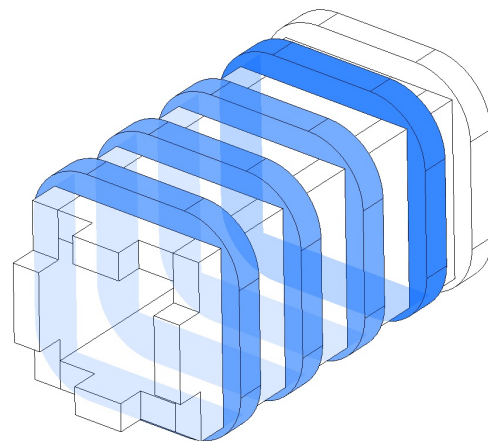


# Assemble Crate 2

Glue side walls to one end cap piece

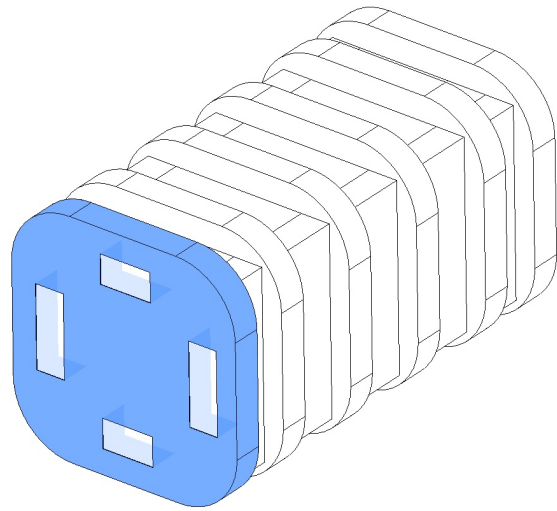


Glue in rails, evenly spaced over length of crate



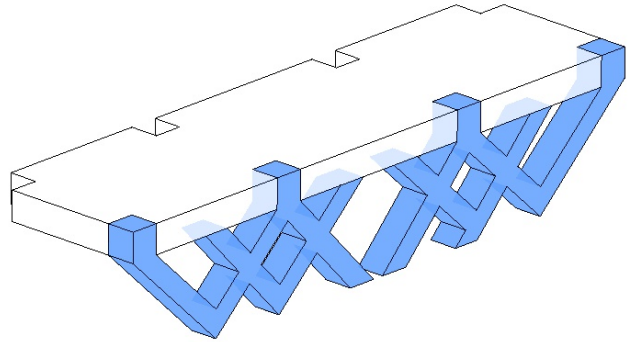
# Assemble Crate 2 cont.

Glue end piece on assembly

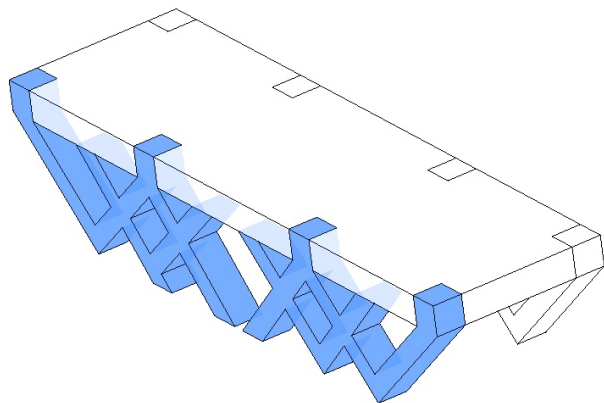


# Assemble Table

Glue sides to top as shown

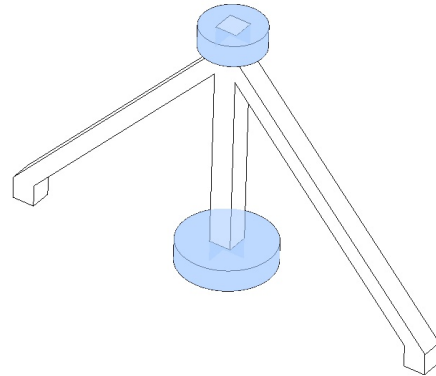


Glue sides to top as shown



# Assemble Antenna

Glue circles to center support as shown



Arrange elements onto the base  
(and glue in place if you wish)

