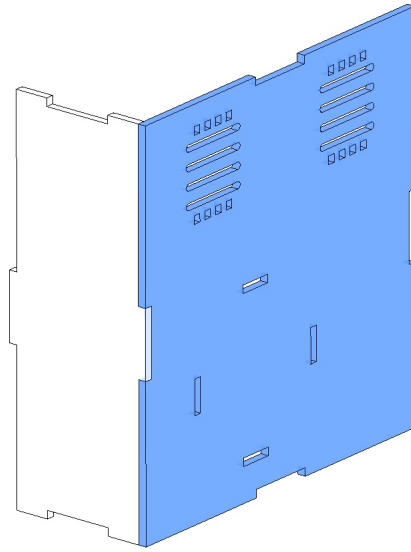
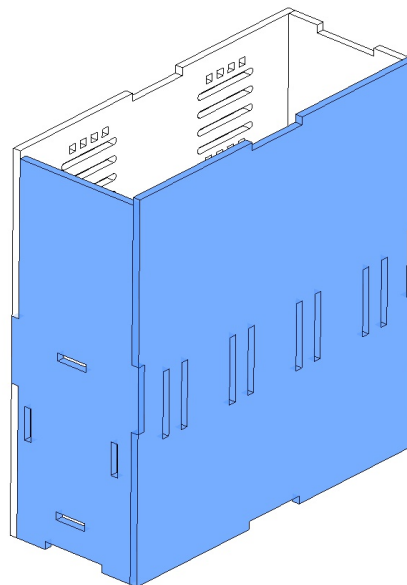


Assemble Walls

Glue walls together as shown

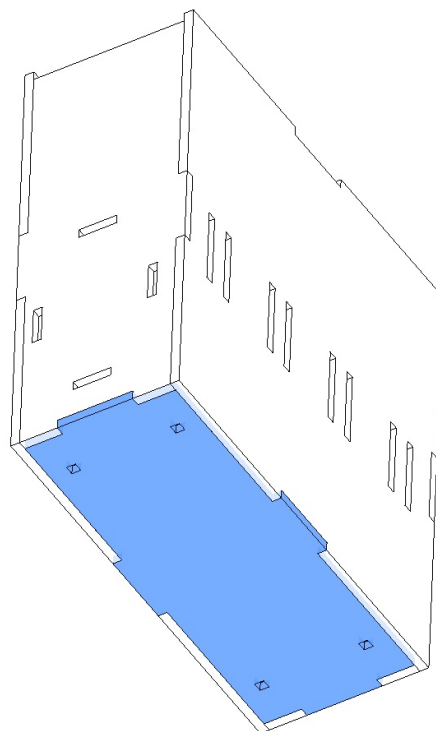


Continue gluing walls

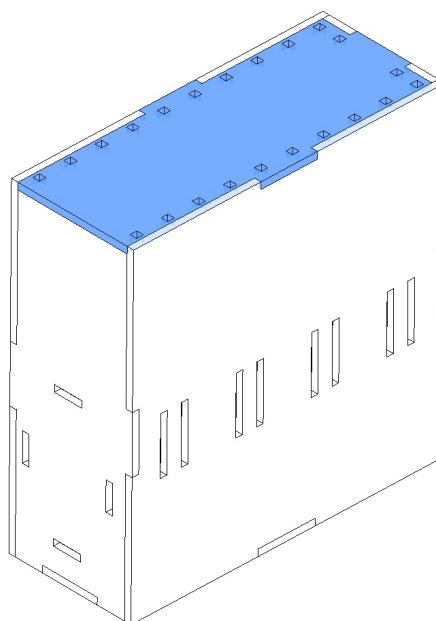


Assemble Walls cont.

Glue walls to base as shown

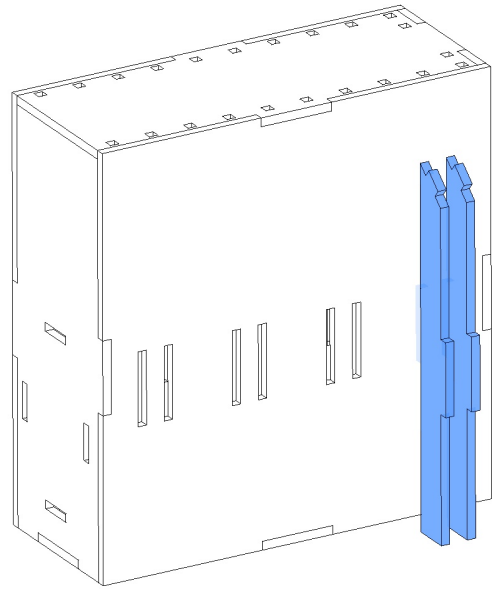


Glue on roof as shown

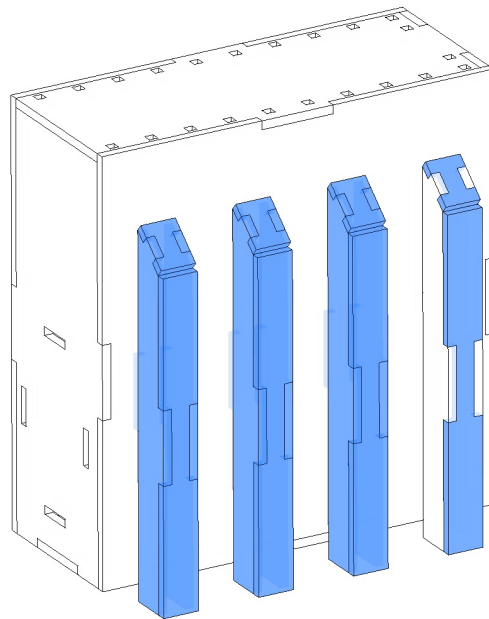


Assemble Details

Glue side details as shown

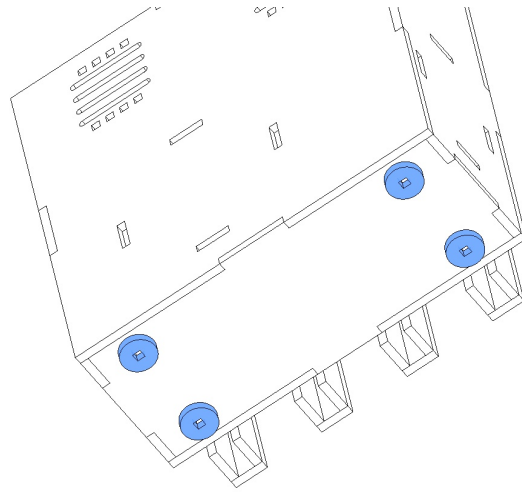


Glue remaining rail details, repeat for all rails

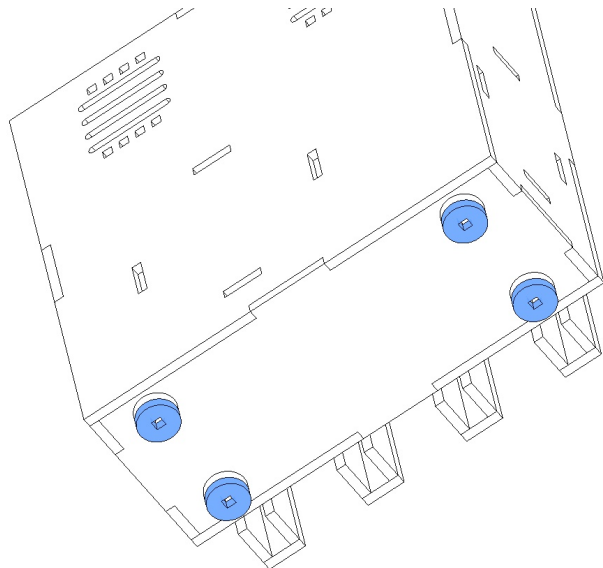


Assemble Details cont.

Glue feet onto base

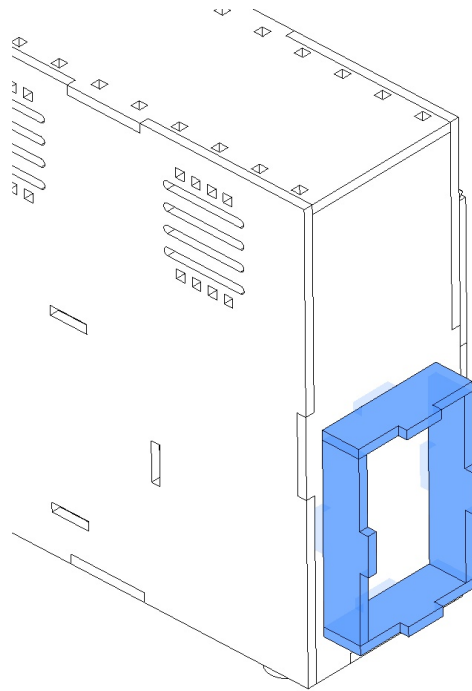


Glue on second layer of feet

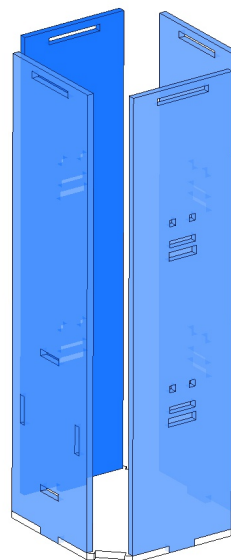


Assemble Walls

Glue hallway walls to side

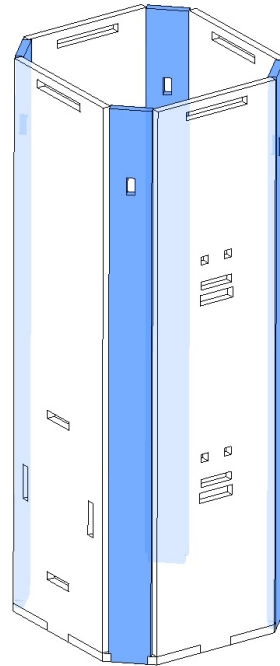


Glue together walls of tower

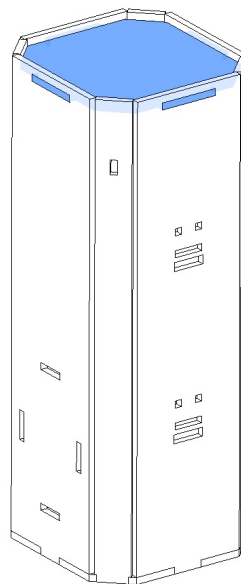


Assemble Walls cont.

Glue corner panels as shown

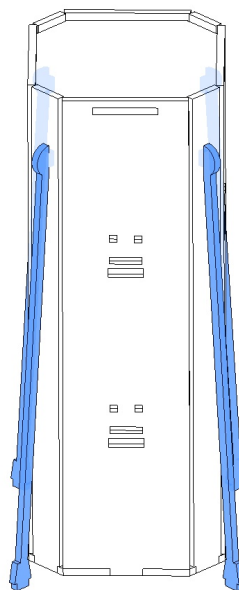
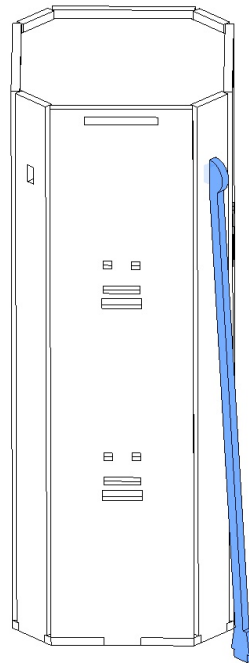


Glue panels to roof before they dry



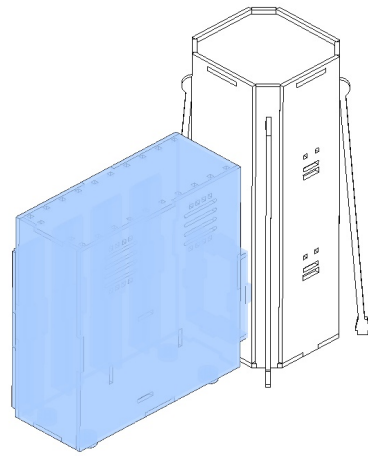
Assemble Details

Glue supports into corners



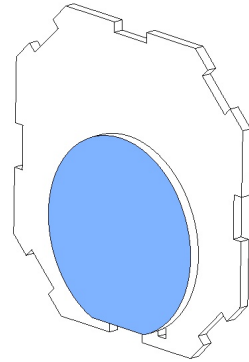
Assemble Details cont.

Glue tower to previous building

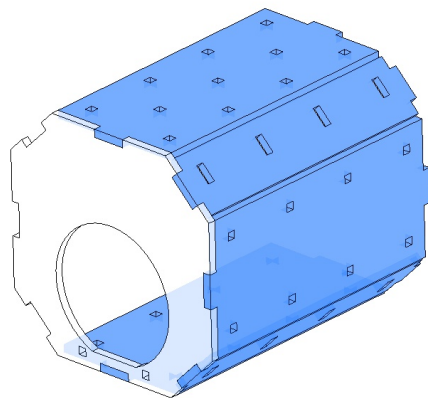


Assemble Attached Building

Glue door rear to door panel

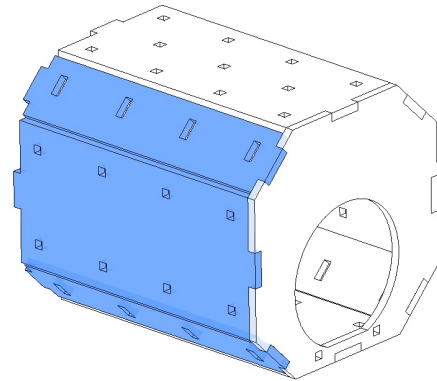


Glue walls to door panel

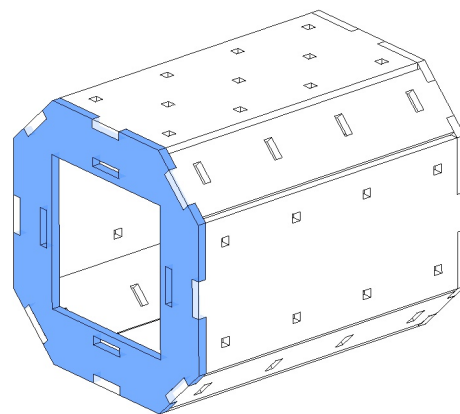


Assemble Attached Building cont.

Glue walls continued.

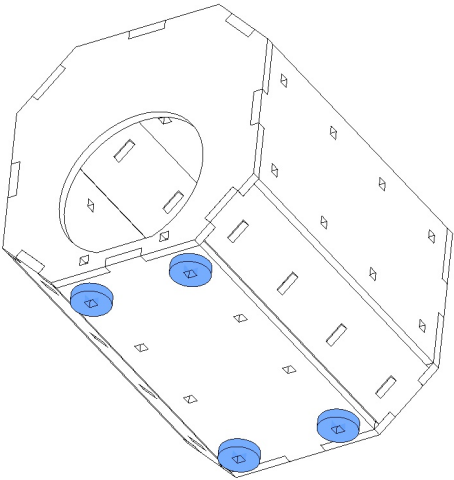


Glue rear panel to walls

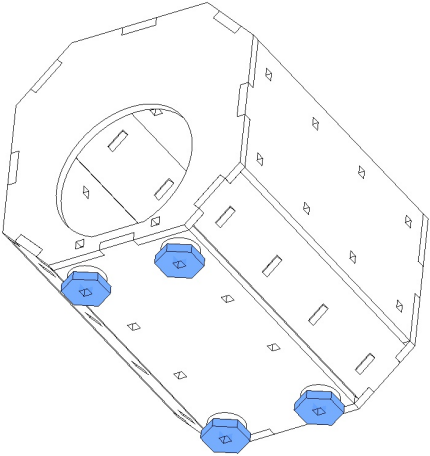


Assemble Attached Building cont.

Glue feet to base

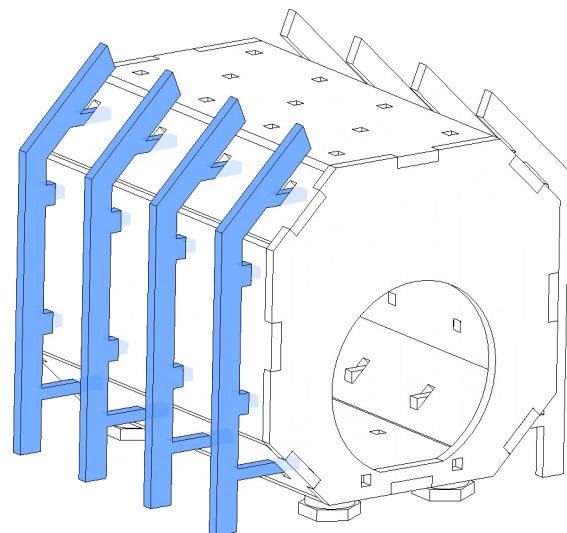
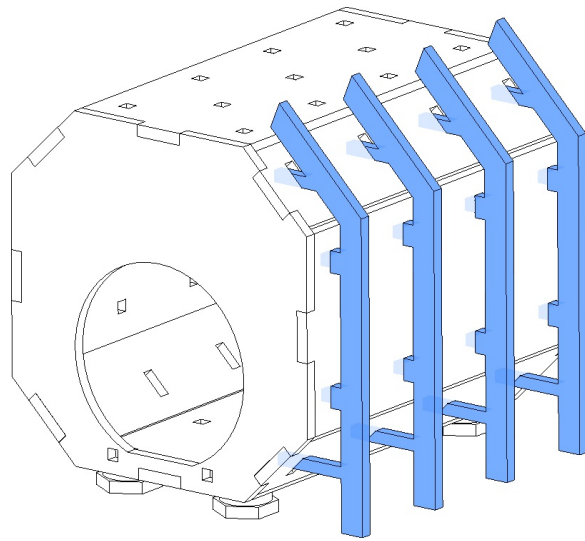


Glue second layer of feet



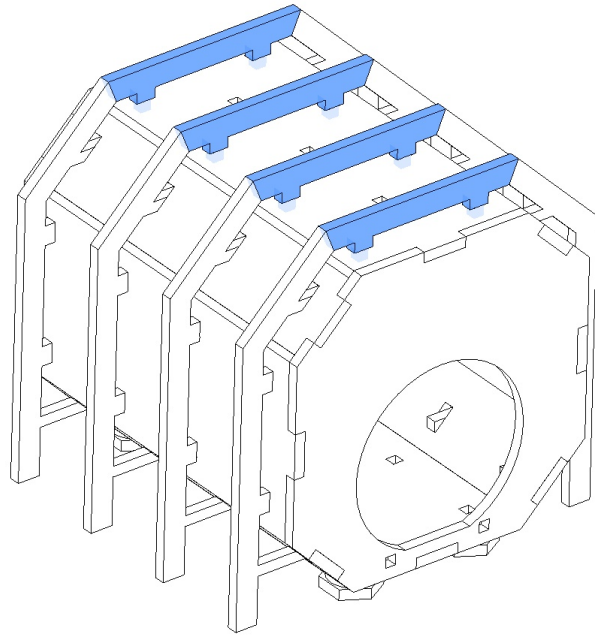
Assemble Attached Building cont.

Glue supports to sides

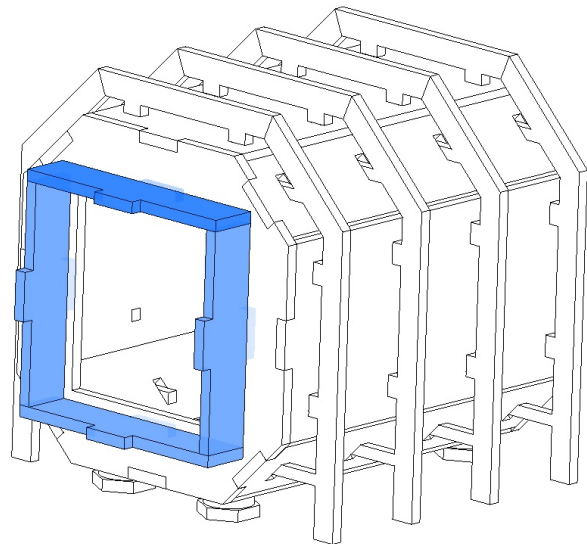


Assemble Attached Building cont.

Glue supports to top

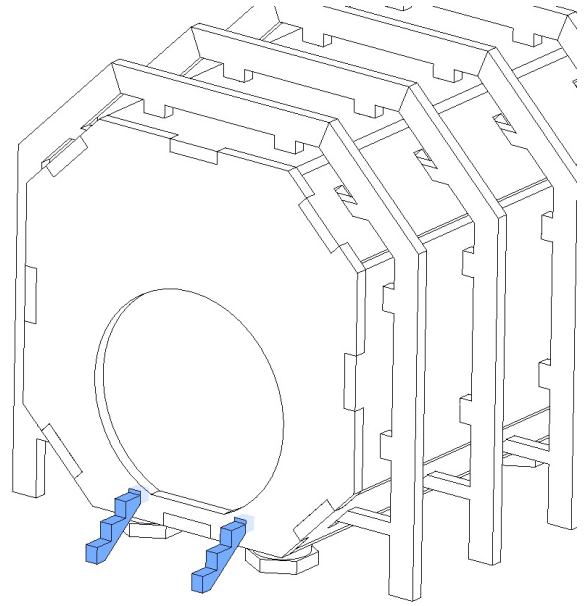


Glue hallway walls

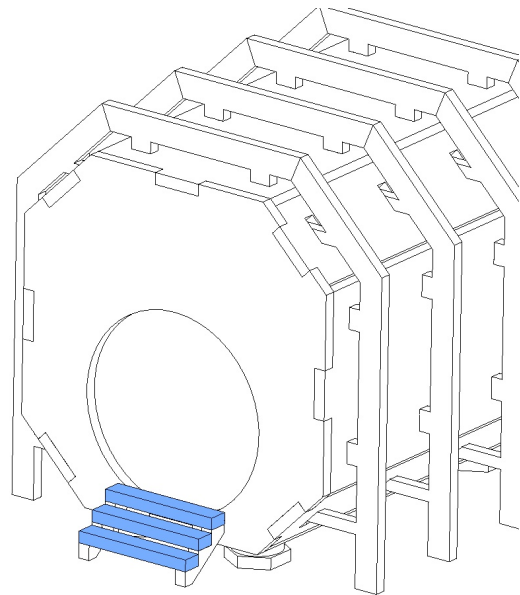


Assemble Attached Building cont.

Glue stair supports to front

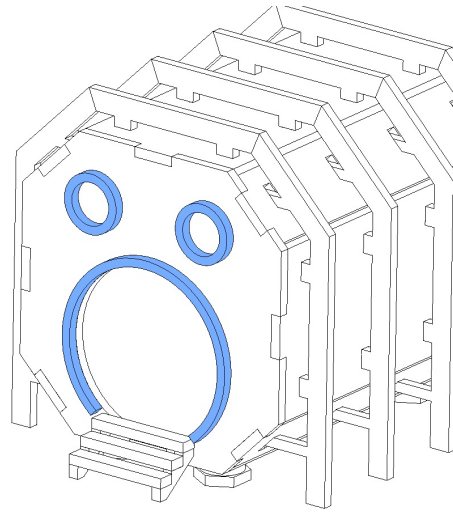


Glue steps to supports

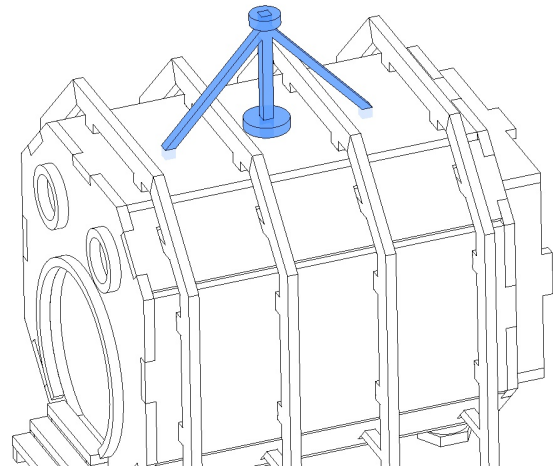


Assemble Attached Building cont.

Glue window details to front

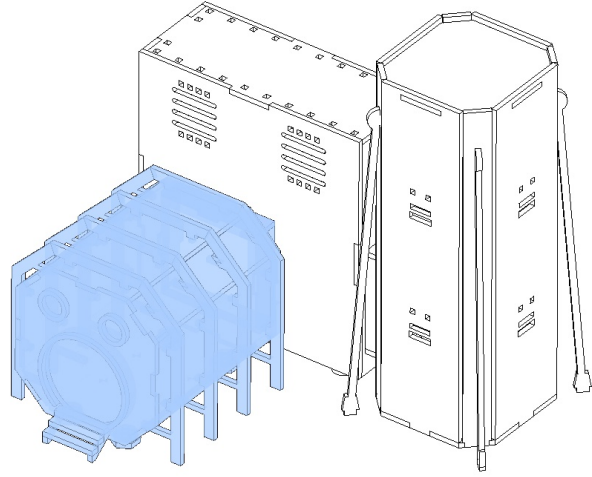


Glue antenna parts to top

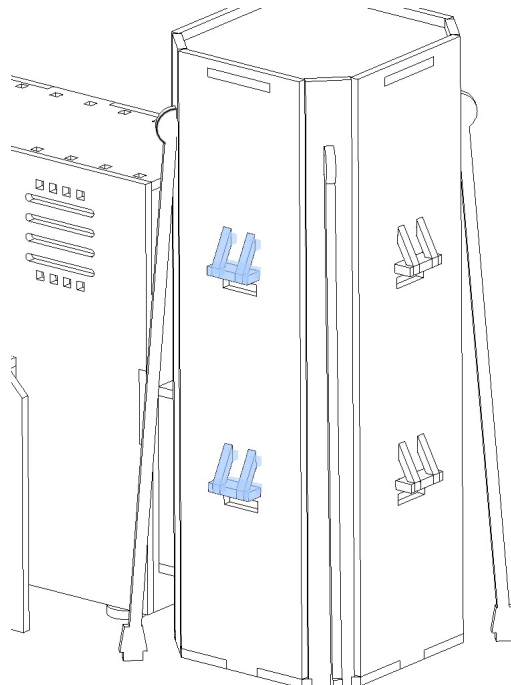


Assemble Building Parts

Glue building to previous assembly

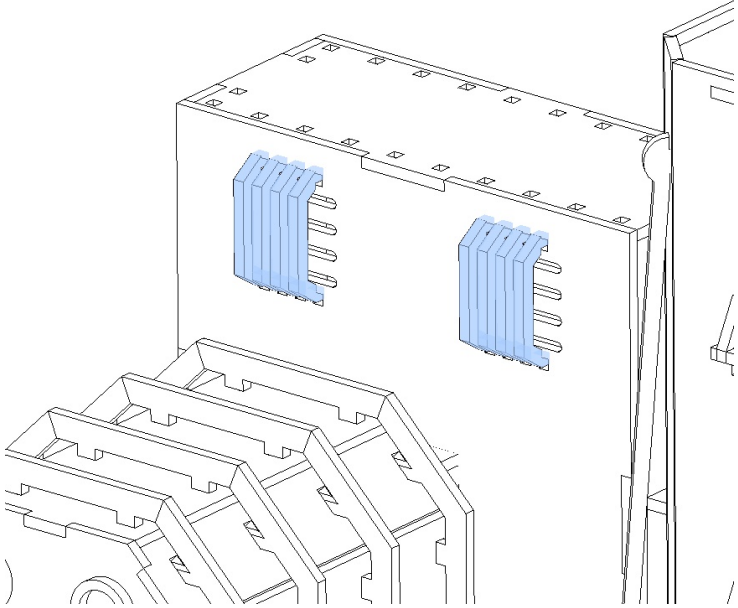


Glue window details to tower

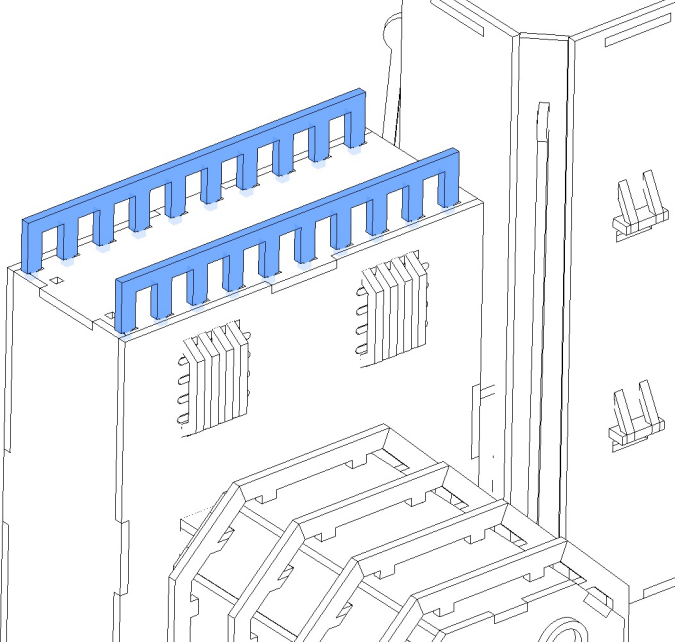


Assemble Attached Building cont.

Glue bars to windows

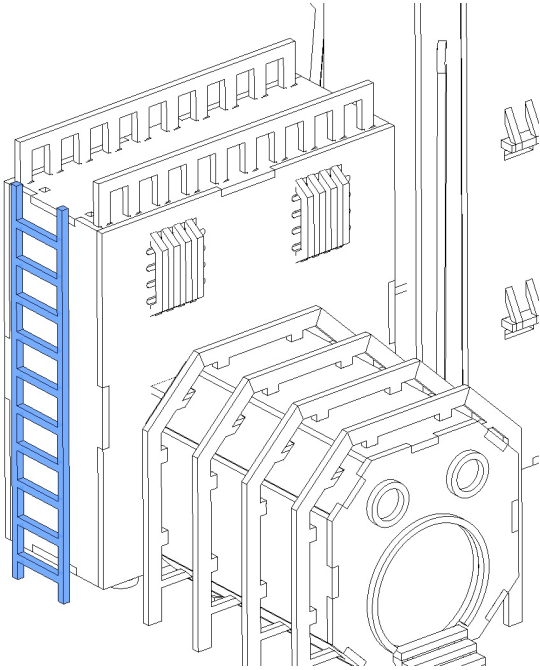


Glue railing to roof

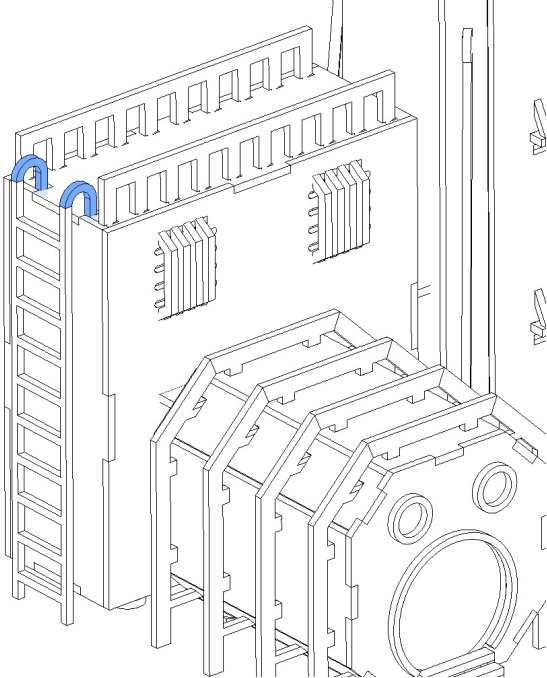


Assemble Attached Building cont.

Glue ladder to side



Glue ladder tops to ladder



Assemble Attached Building cont.

Glue building to base if you wish

