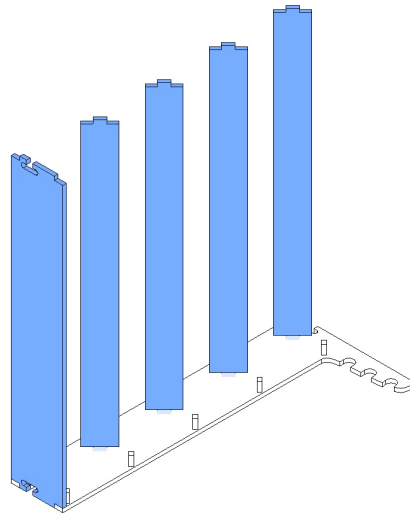
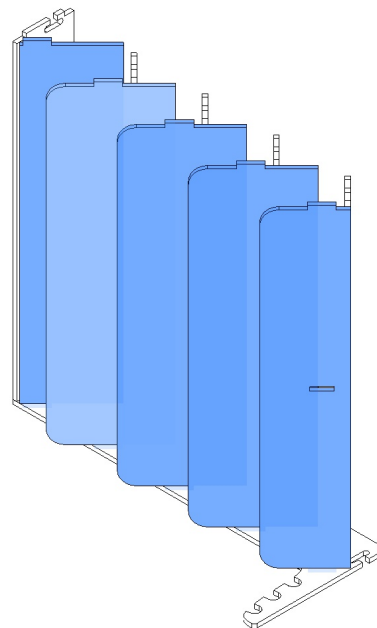


# Assemble Rear Shelf Stops

Glue in rear stops as shown. This will be easier if you lay the assembly on its side as shown.

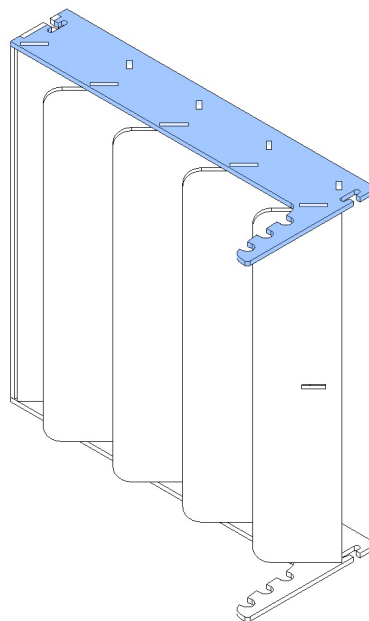


Glue in bottom shelves

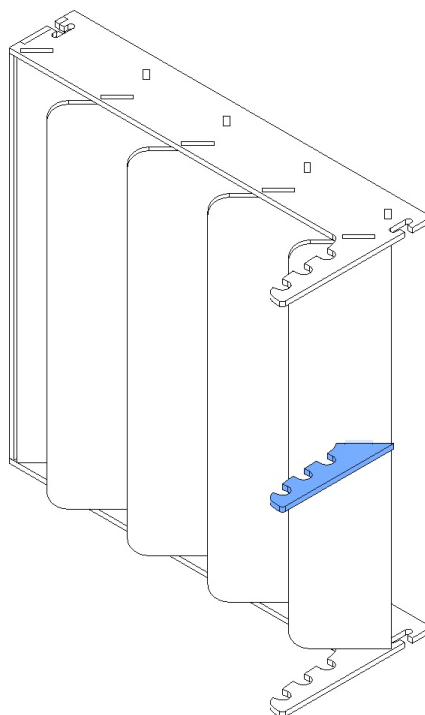


# Assemble Sides

Glue second side wall onto shelf assembly



Glue center brush support if you intend on using the base as a brush holder



# Assembly Options for Multiple Racks

Included are connectors for connecting multiple paint racks together. The following configurations are available:

