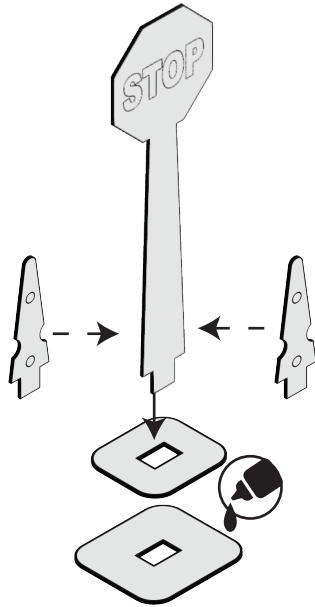
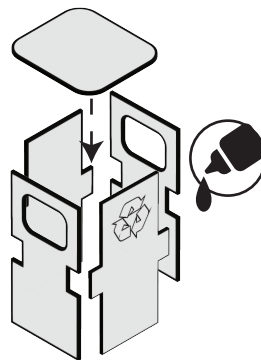


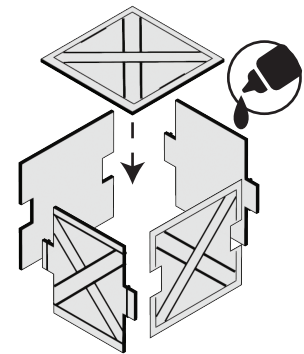
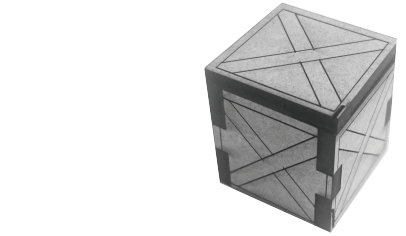
Tips:
Test fit each part prior to gluing
Recommend PVA (wood) glue or Super Glue



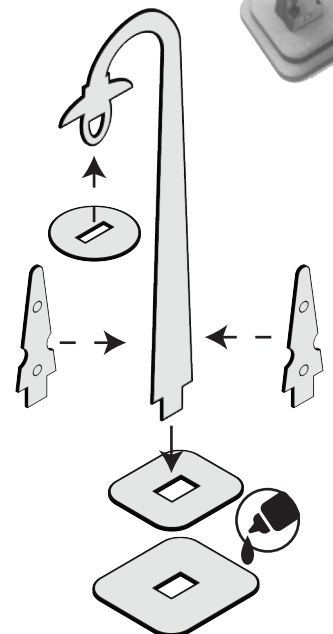
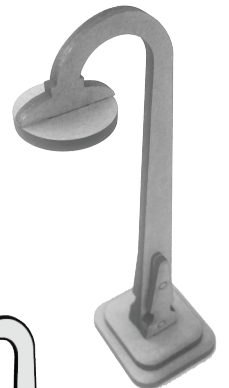
Stop Sign



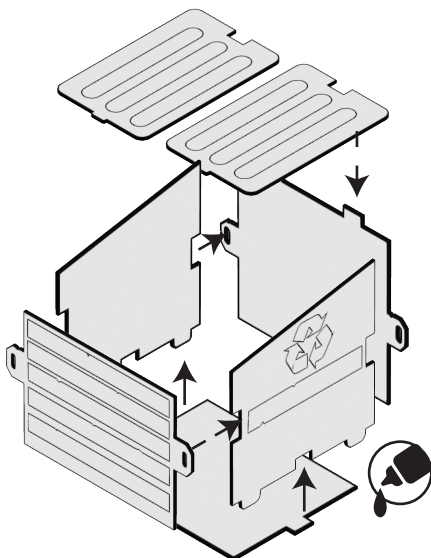
Trash Can



Crate



Street Light



Dumpster

