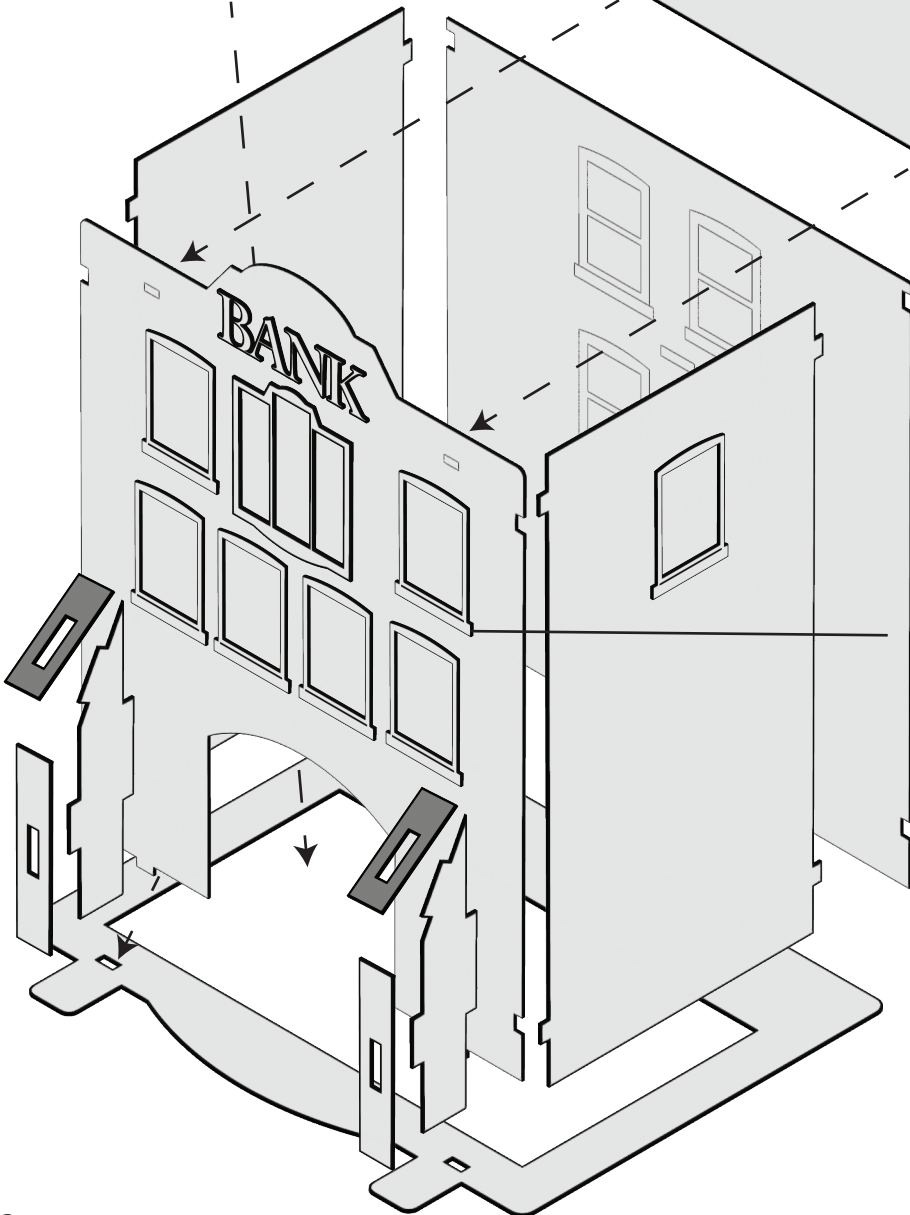
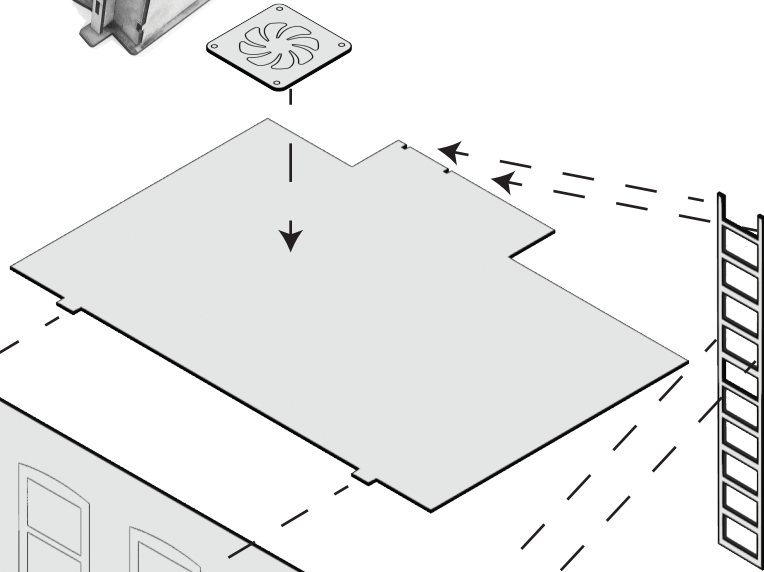
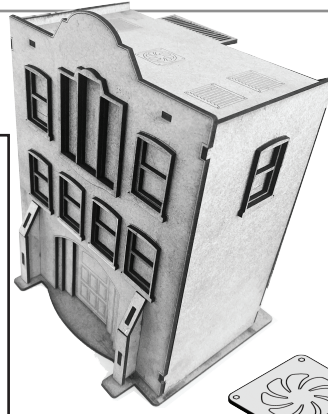
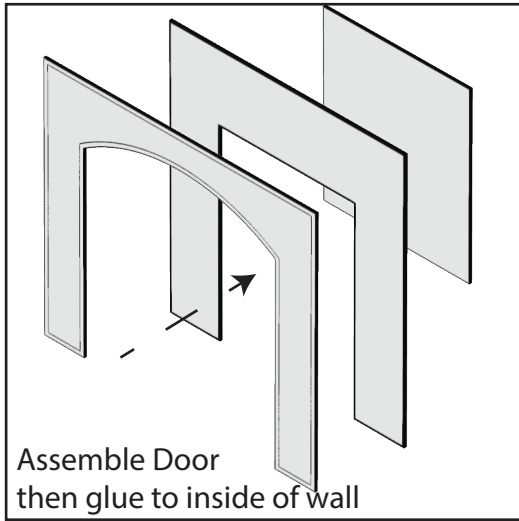


Tips:
Test fit each part prior to gluing
Recommend PVA (wood) glue or Super Glue

■ Glue window backs and window frames to walls before assembling walls



Note middle
fire escape landing
has notches for ladder

