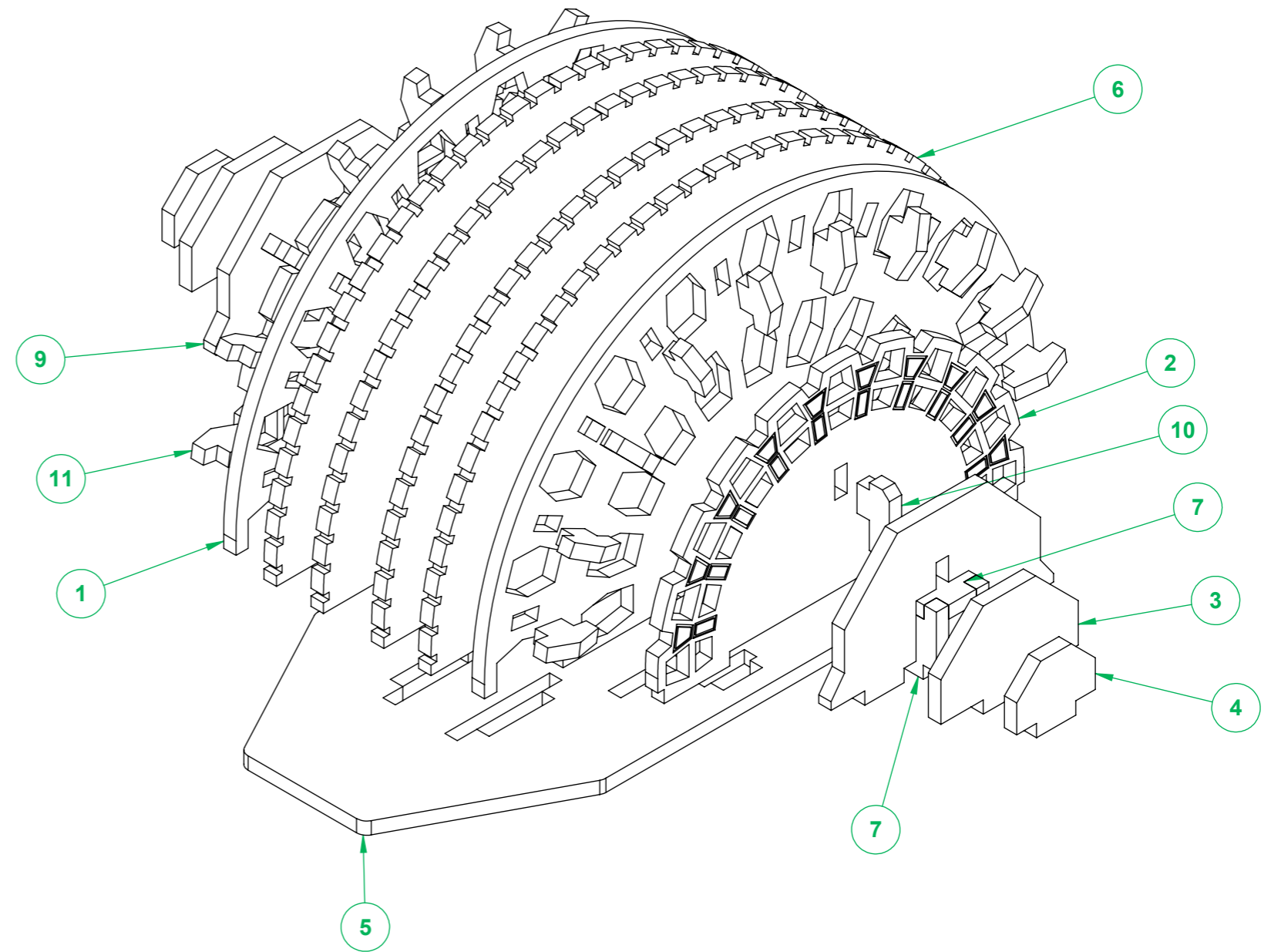
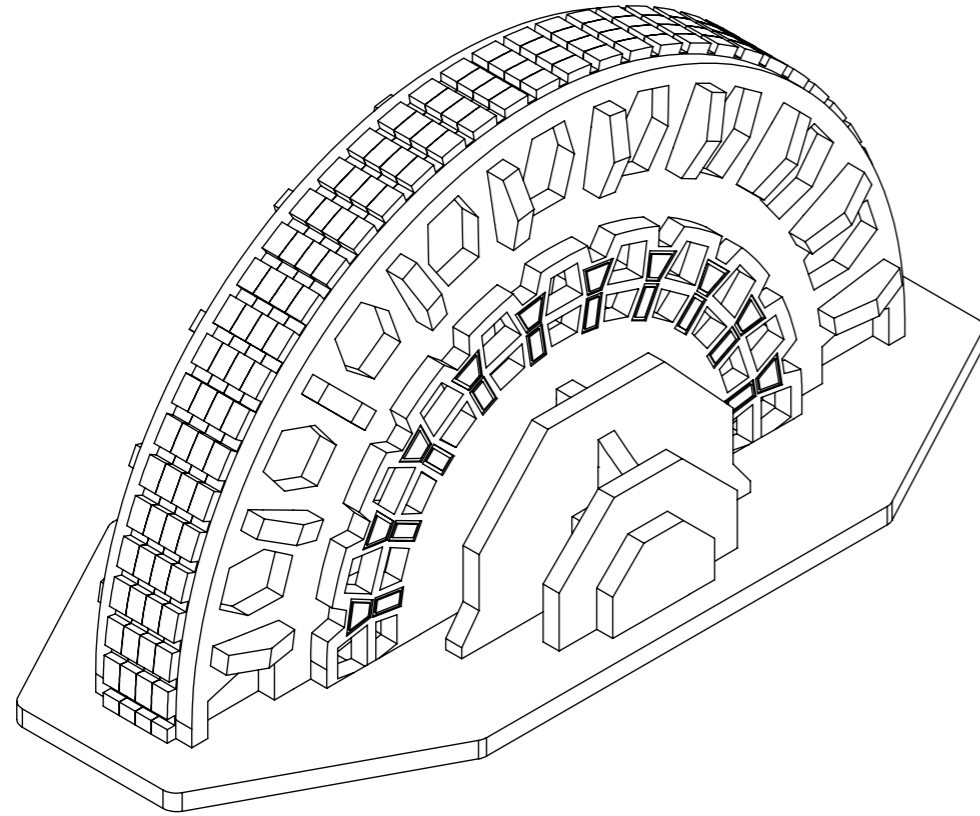
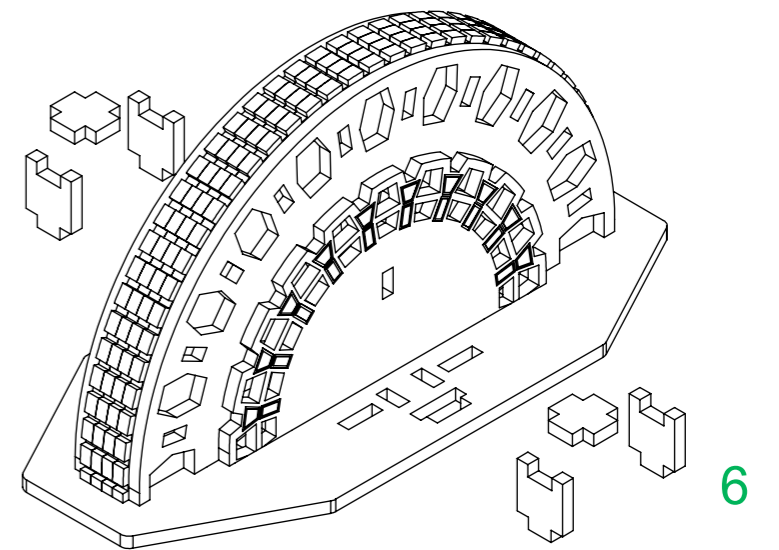
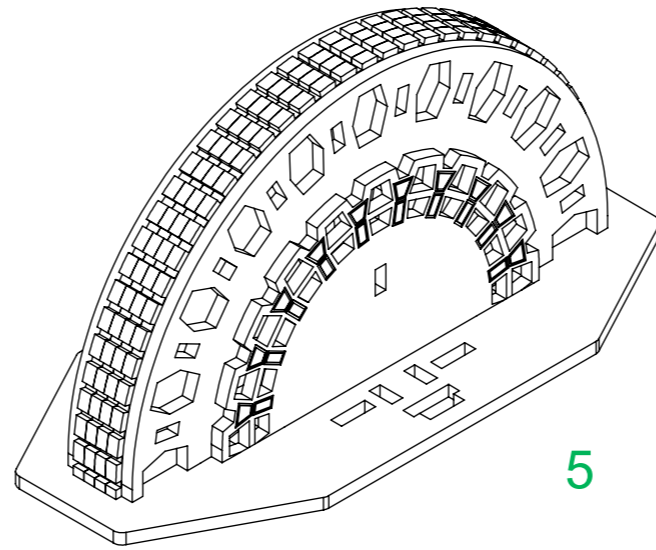
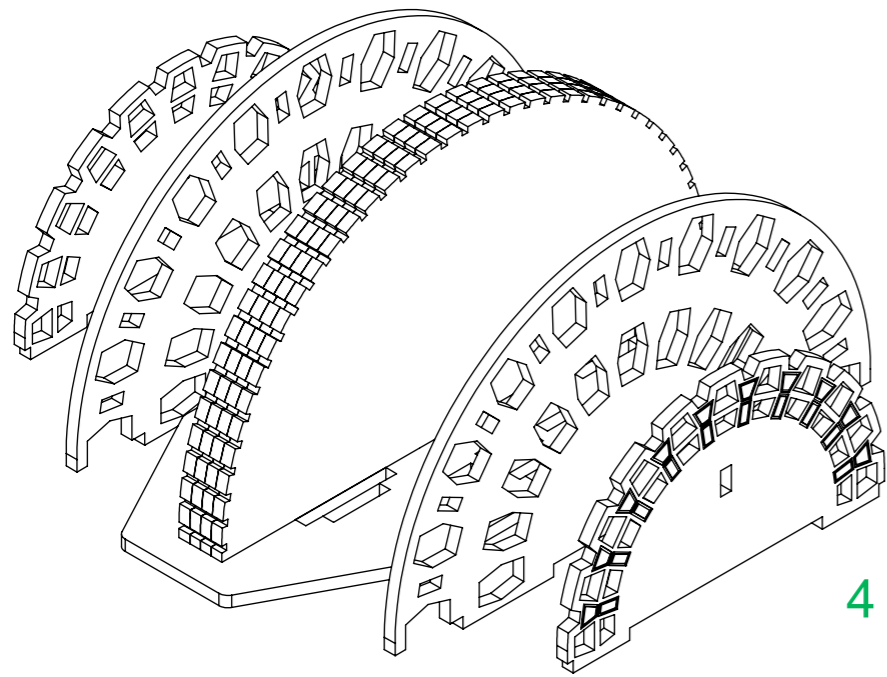
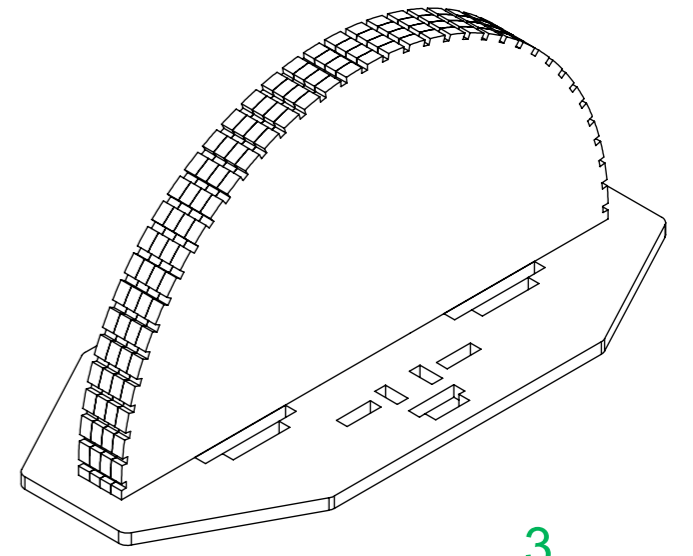
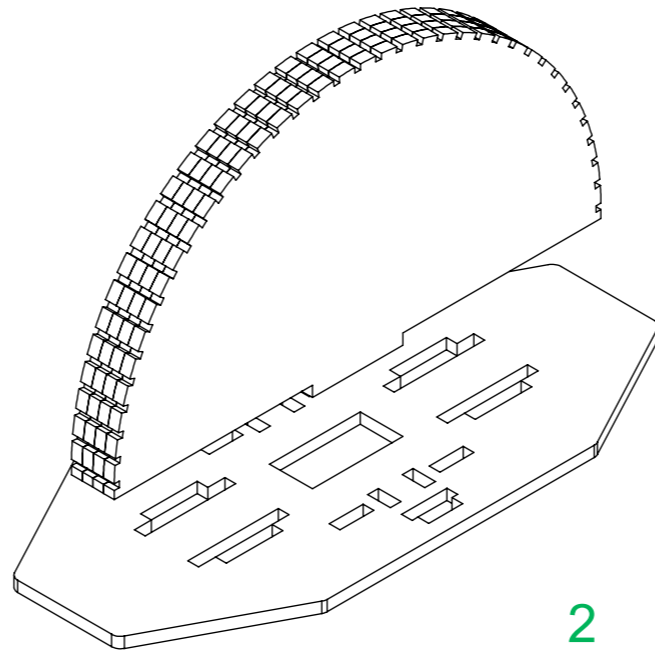
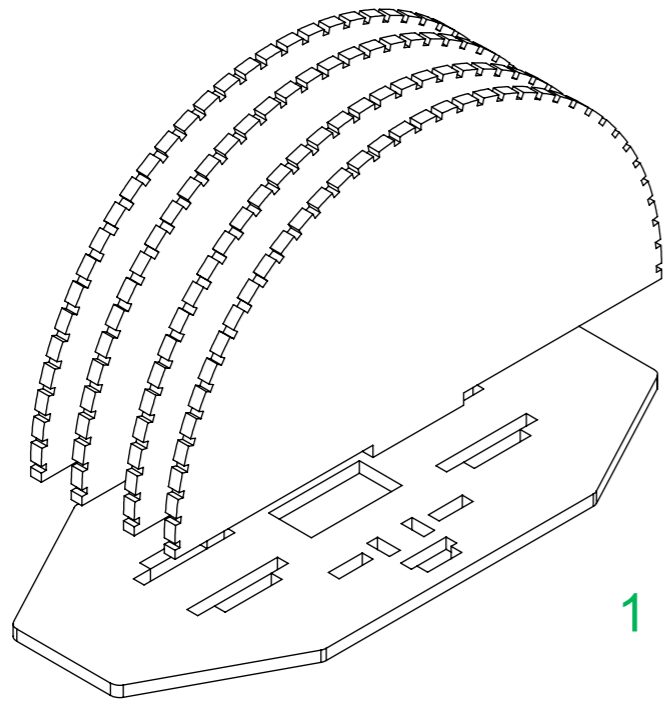
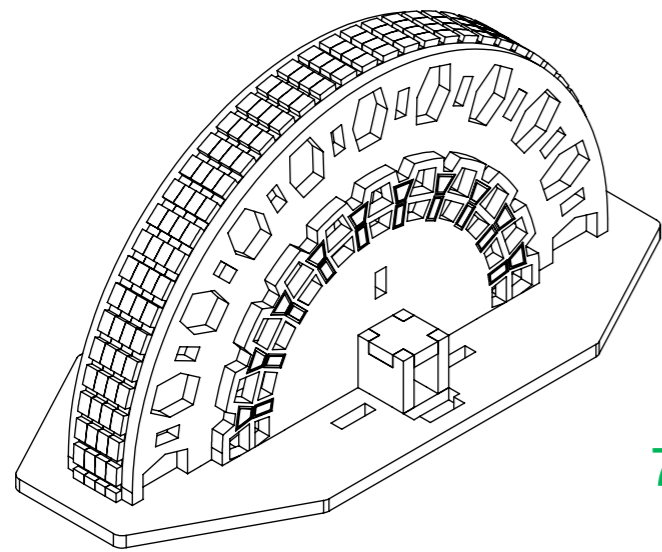


GENERATOR 2

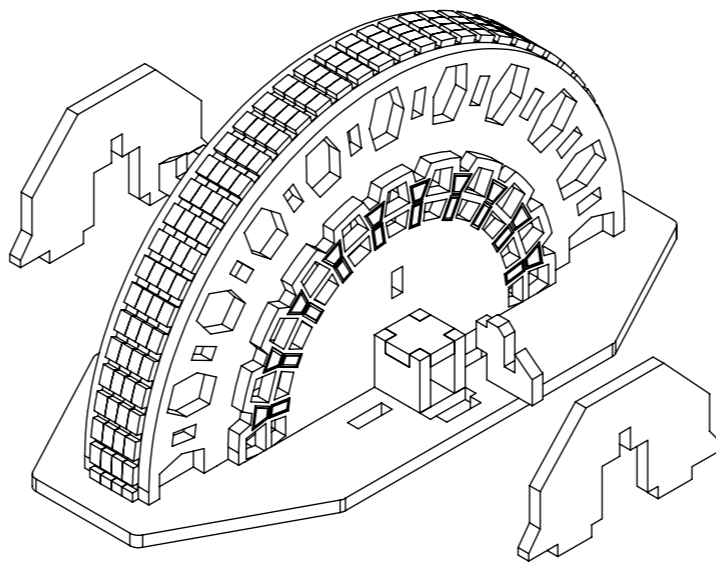


ITEM NO.	DESCRIPTION	Default
1	MAIN BODY SIDE 3	2
2	MAIN BODY SIDE 4	2
3	SIDE ACCENT 11	2
4	SIDE ACCENT 13	2
5	BASE 2	1
6	CORE PANEL 2	4
7	SIDE ACCENT 5	4
8	SIDE ACCENT 6	2
9	SIDE ACCENT 10	2
10	SIDE ACCENT 8	2
11	SIDE ACCENT 12	20

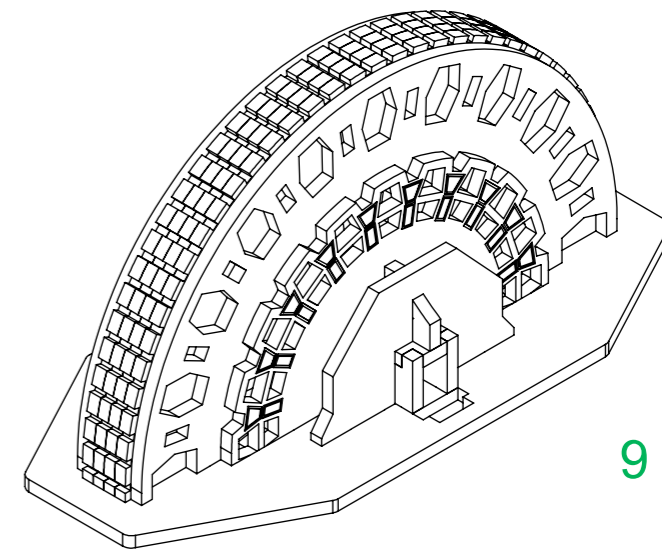




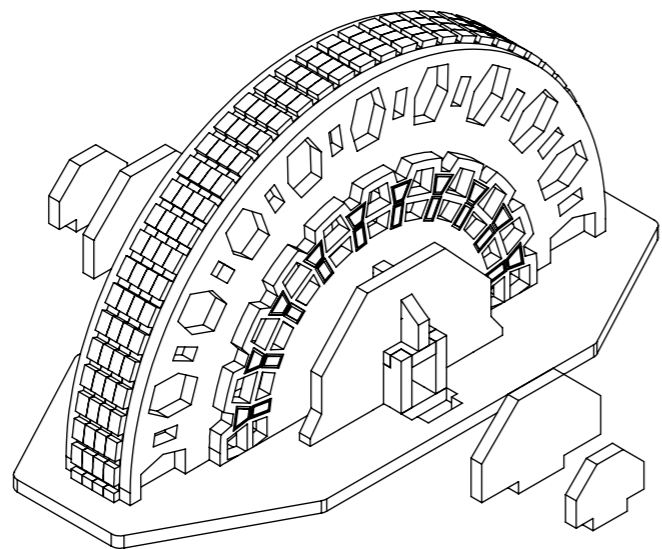
7



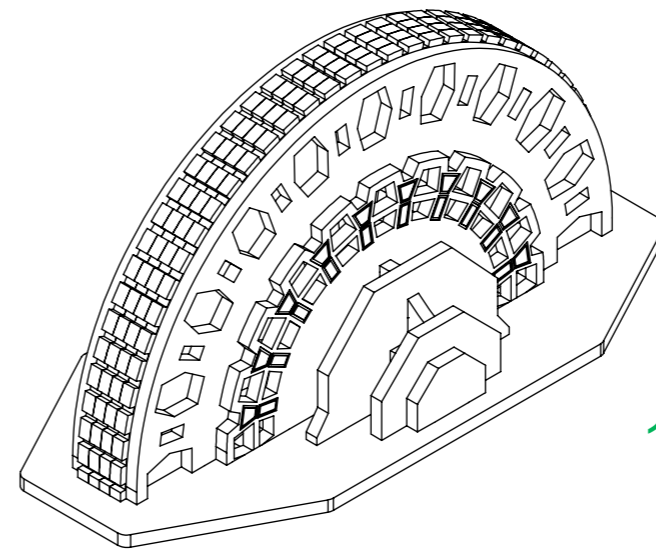
8



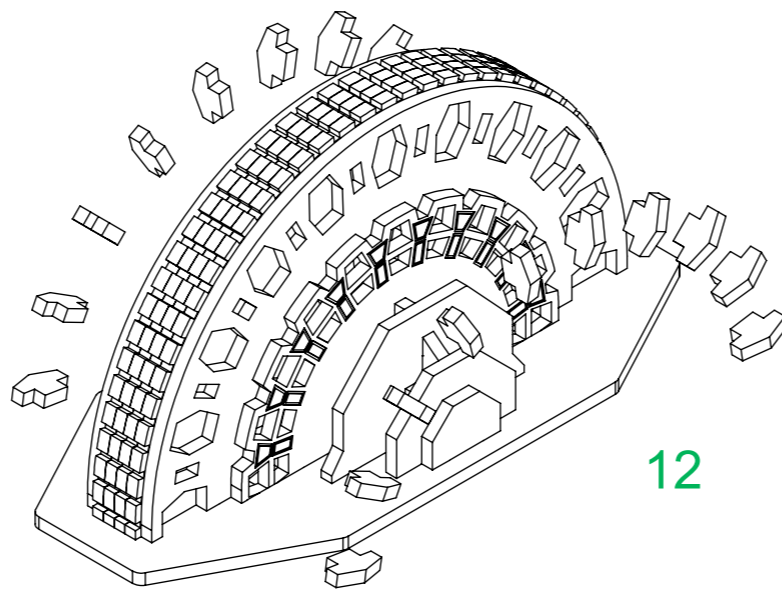
9



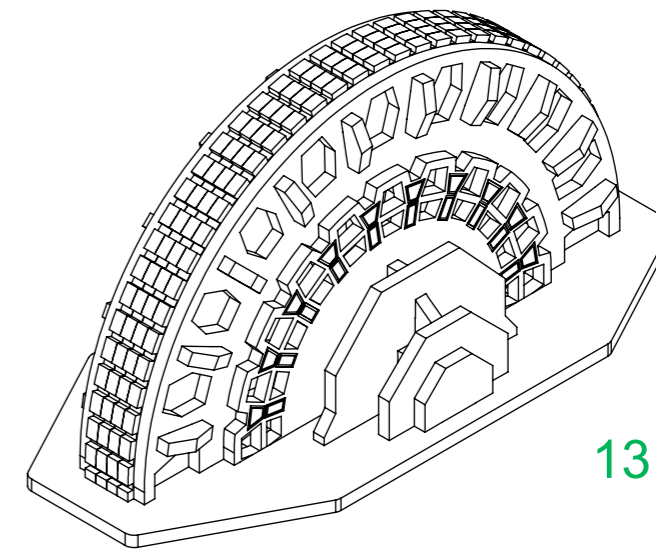
10



11



12



13