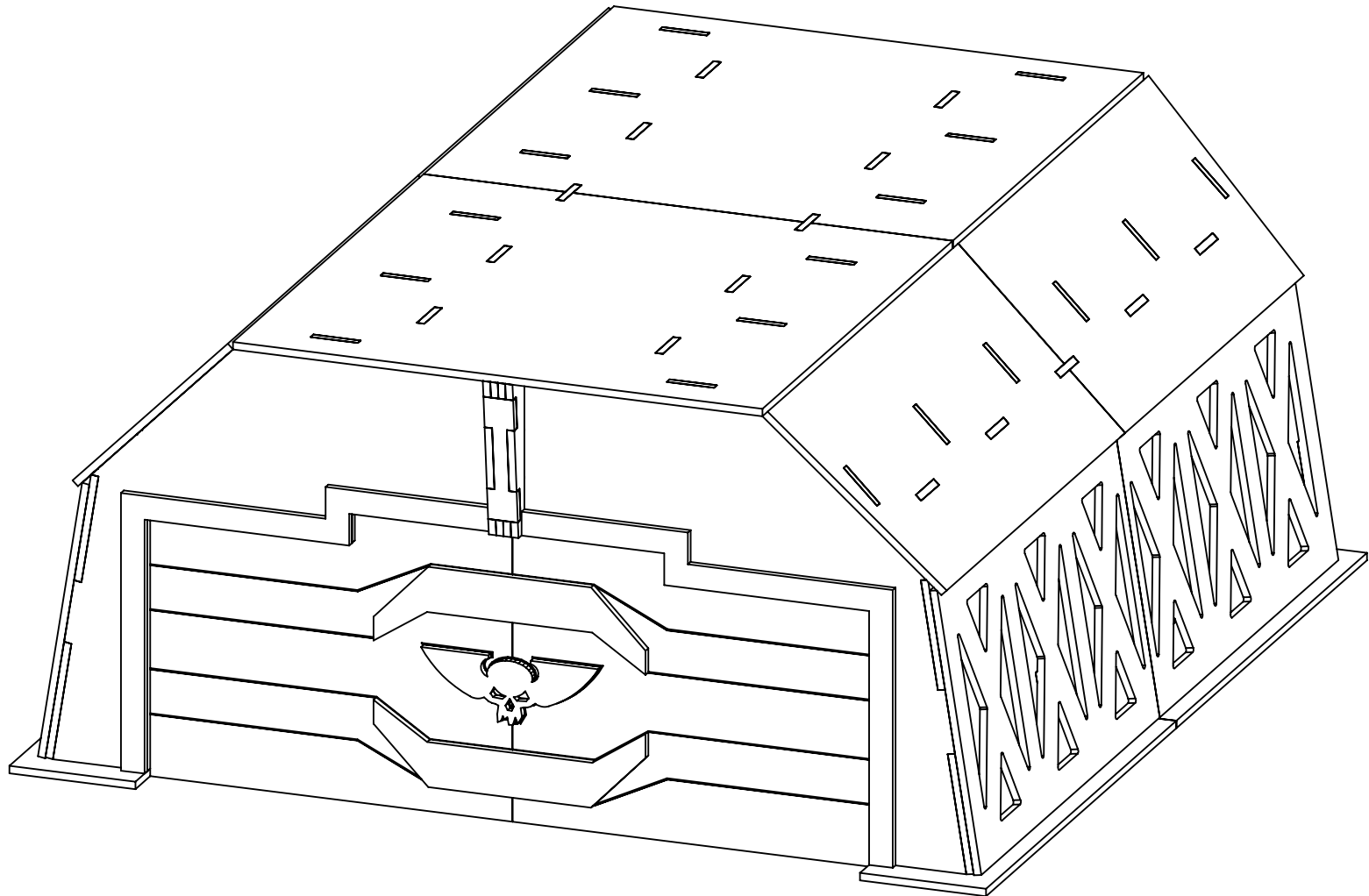


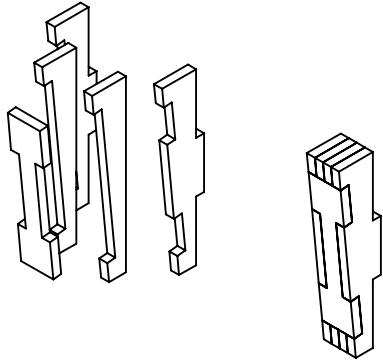
FIELD SET HANGAR



HANGAR BAY ASSEMBLY

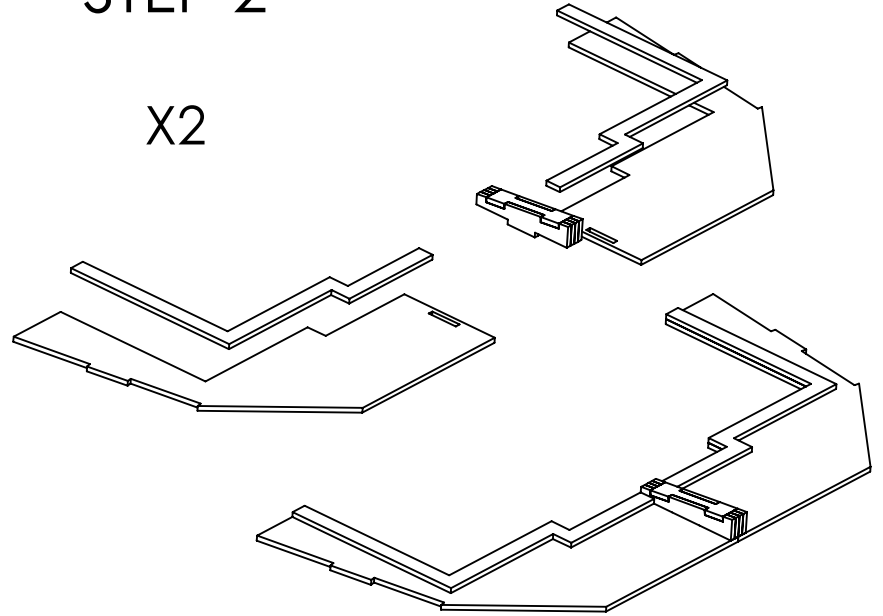
STEP 1

X2



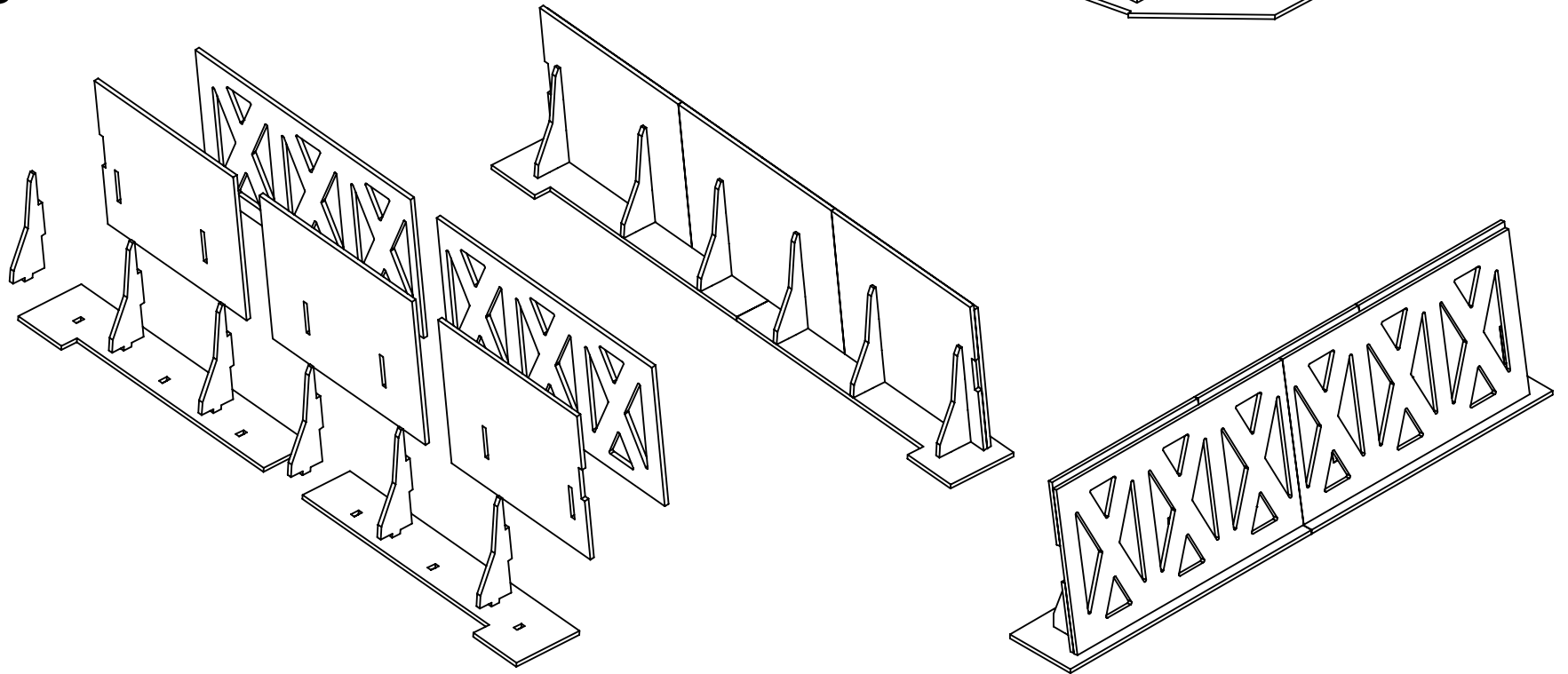
STEP 2

X2

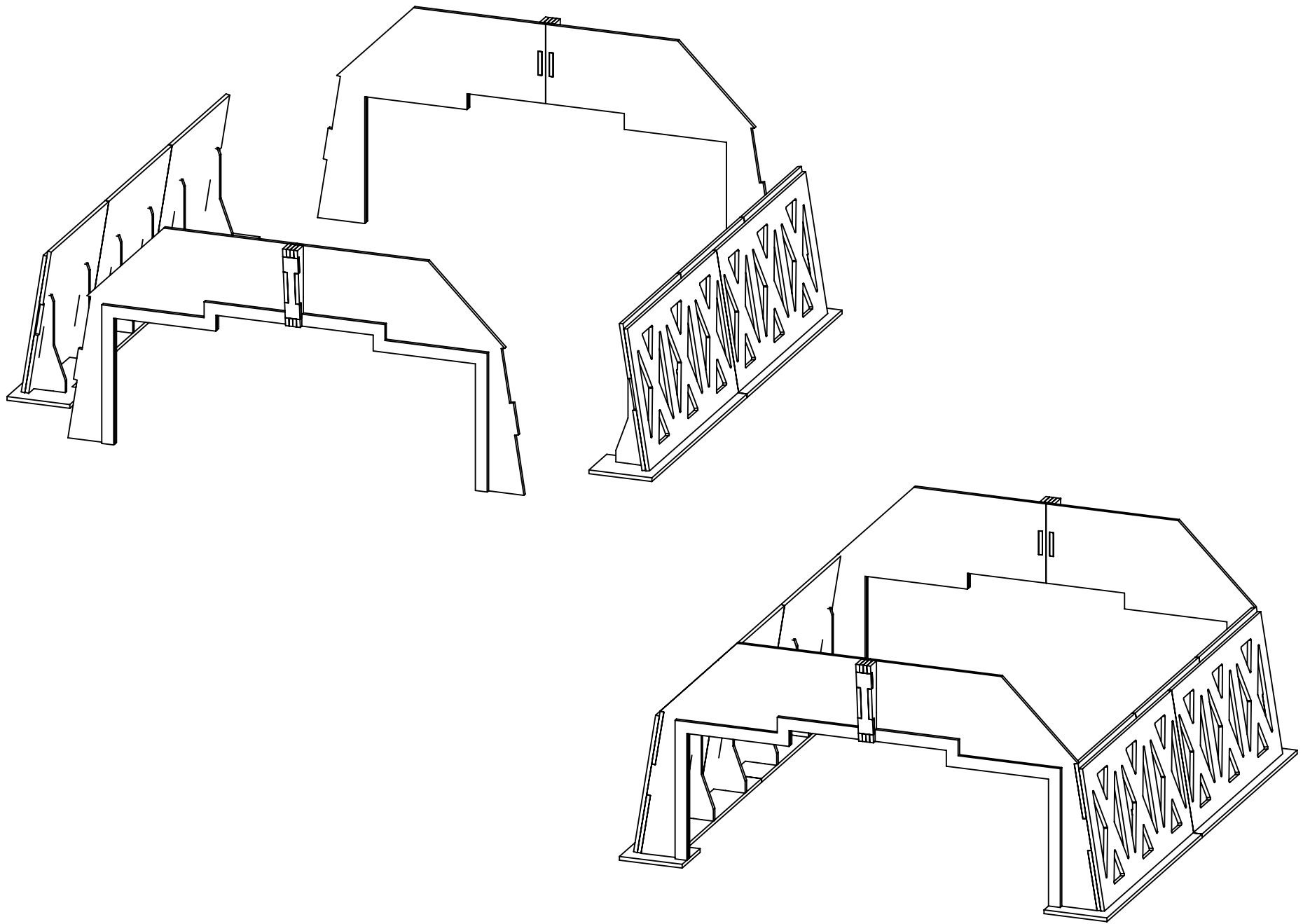


STEP 3

X2

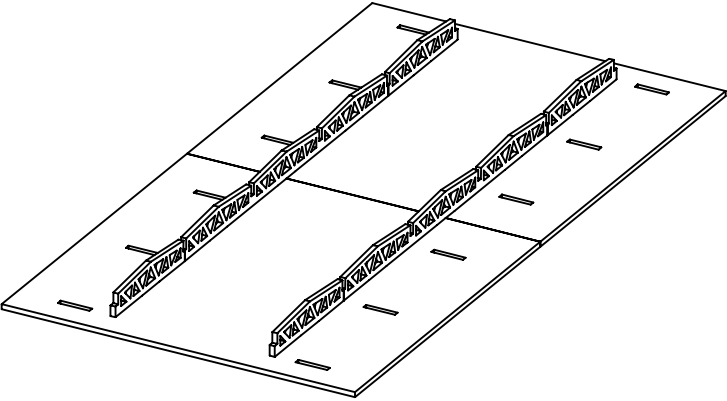
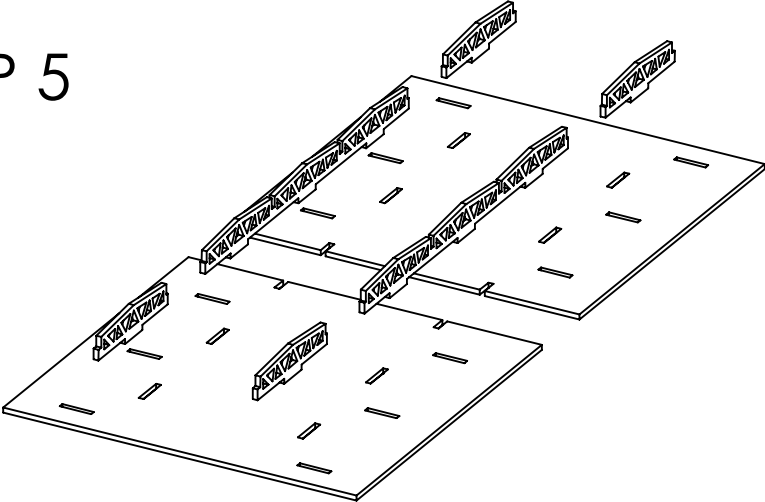


STEP 4



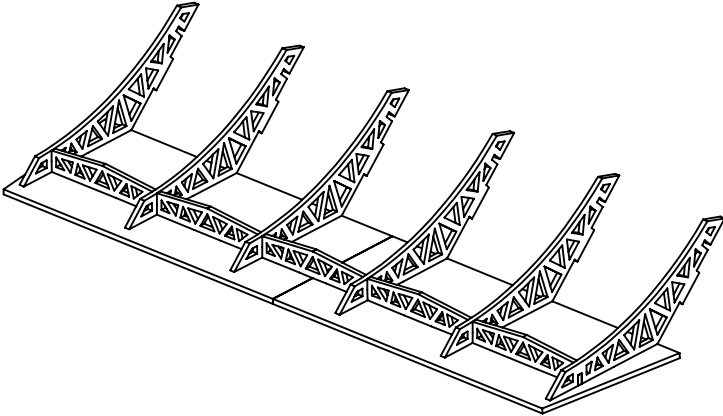
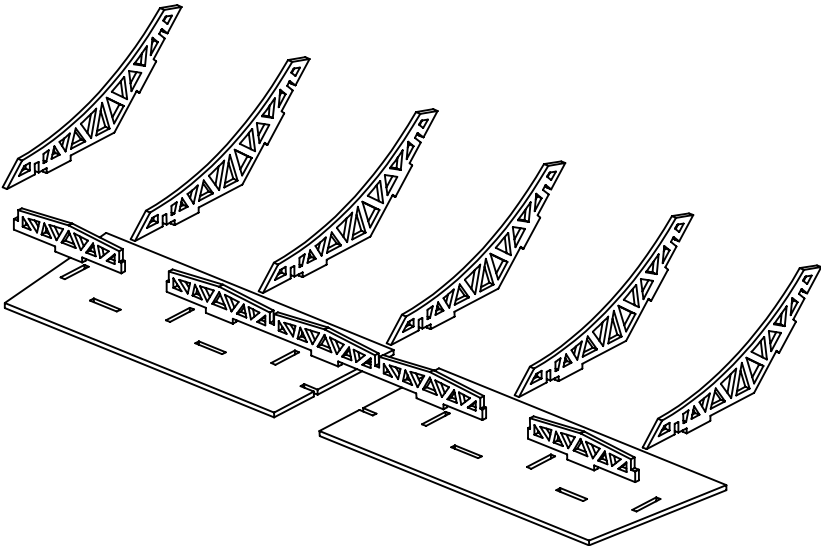
HANGAR ROOF ASSEMBLY

STEP 5

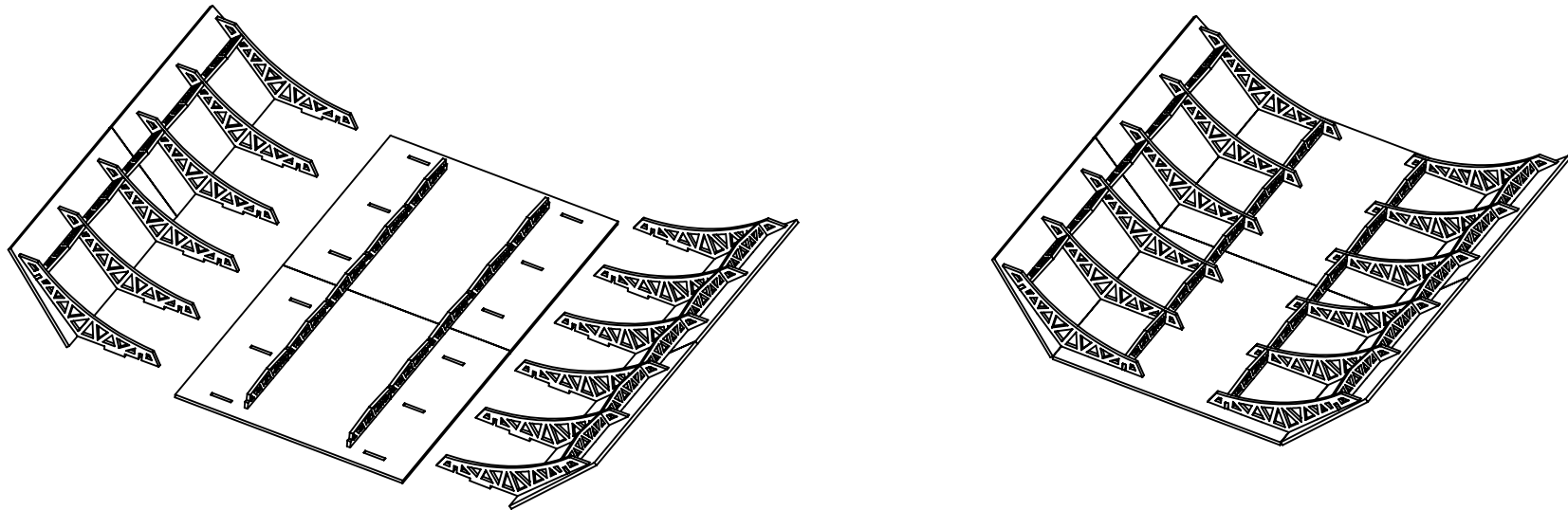


STEP 6

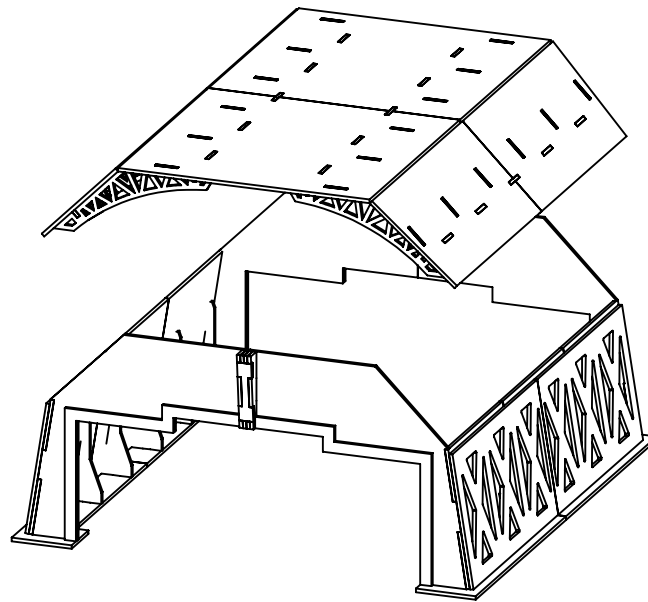
X2



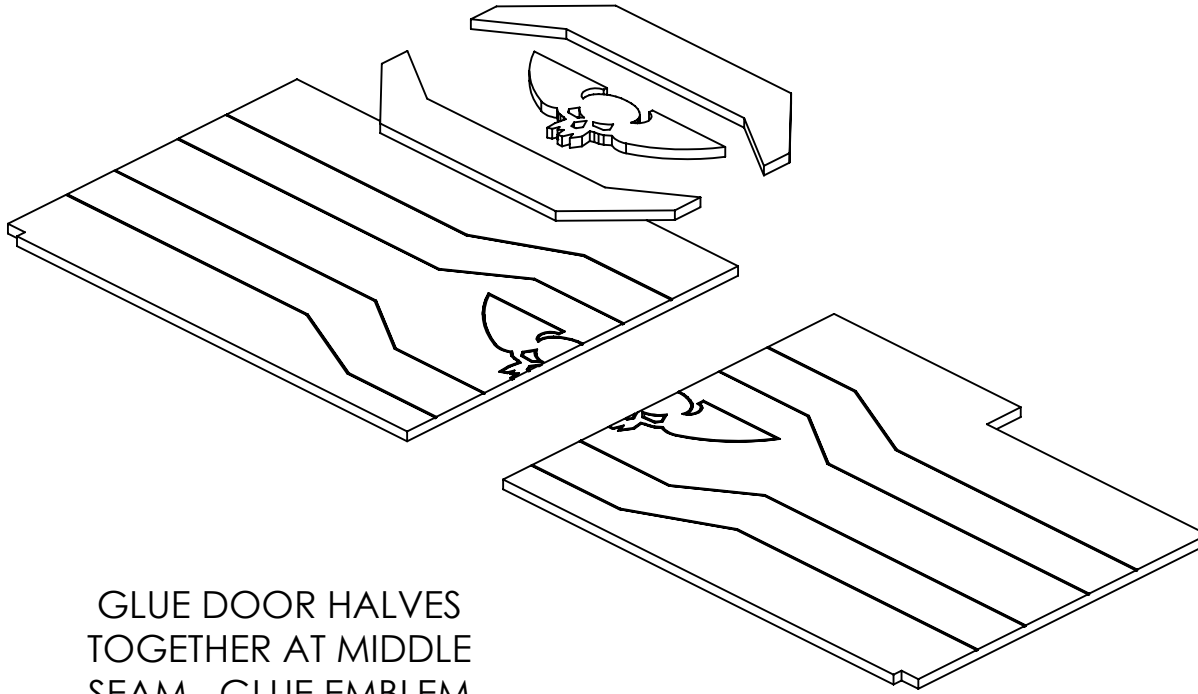
STEP 7



ROOF CAN BE GLUED
ON AT THIS POINT OR
CAN BE LEFT REMOVABLE

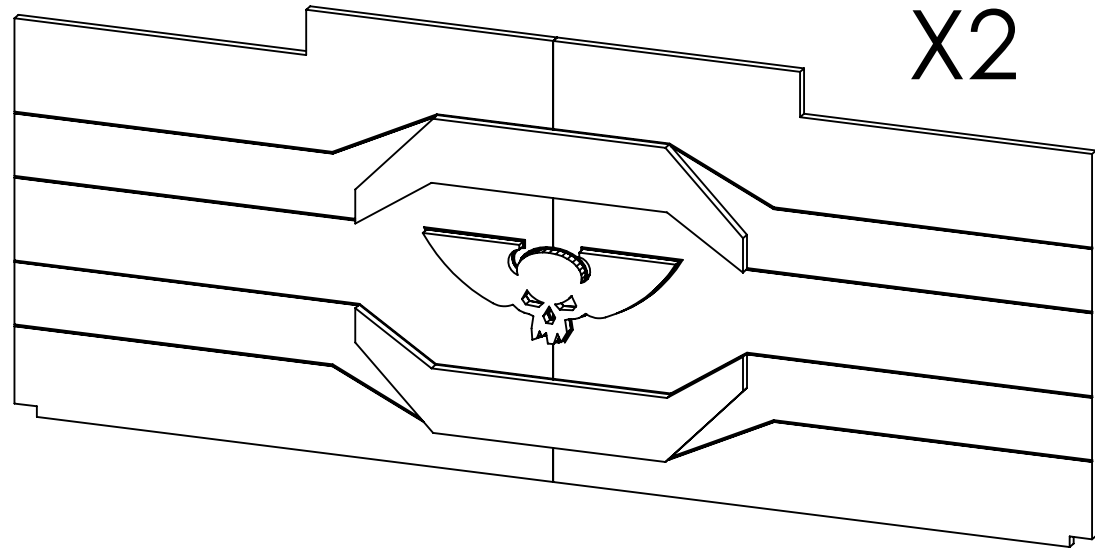


STEP 8

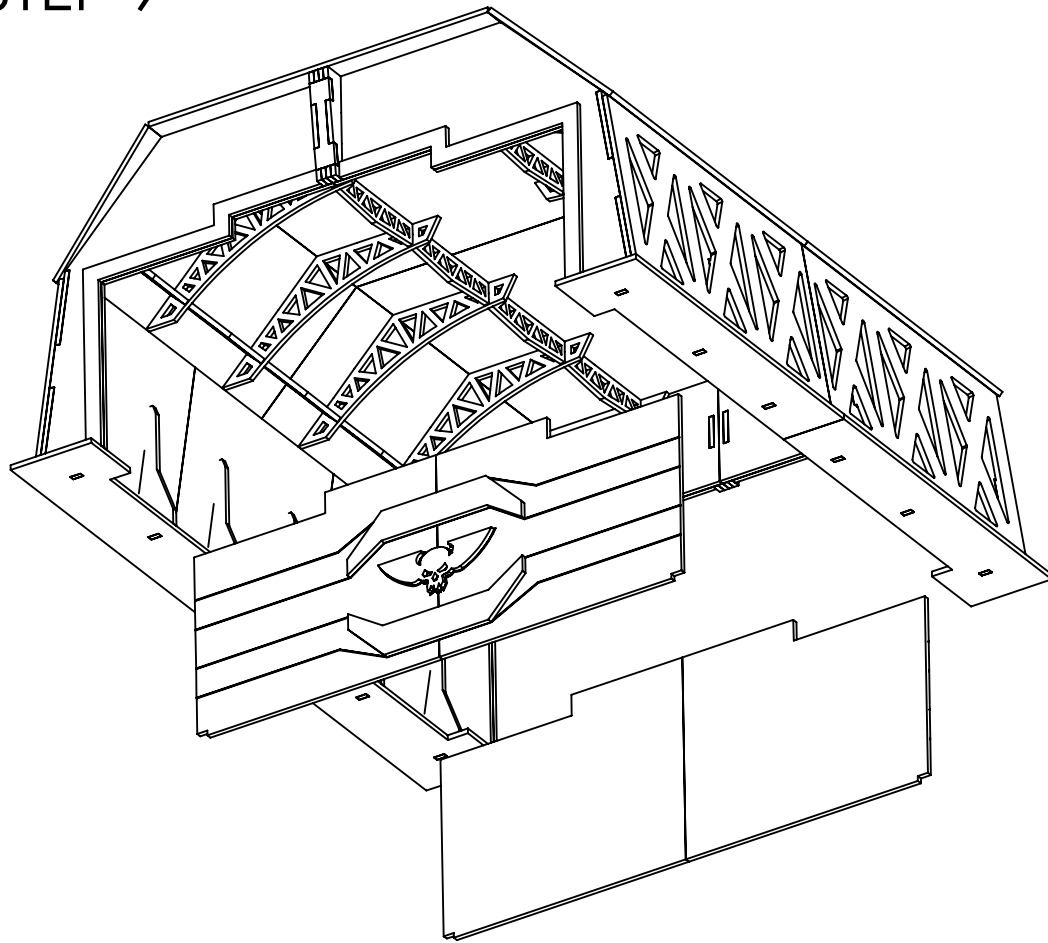


GLUE DOOR HALVES
TOGETHER AT MIDDLE
SEAM. GLUE EMBLEM
AND REINFORCEMENTS
IN PLACE TO ALIGN
WITH ETCHED LINES.

CREATE 2 DOOR
ASSEMBLIES



STEP 9



GLUE DOORS TO THE
INSIDE OF THE HANGAR
DOOR OPENINGS AT
EITHER END OF THE
HANGAR IF DESIRED

