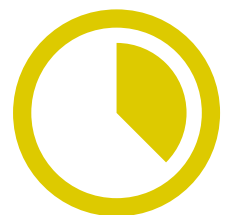
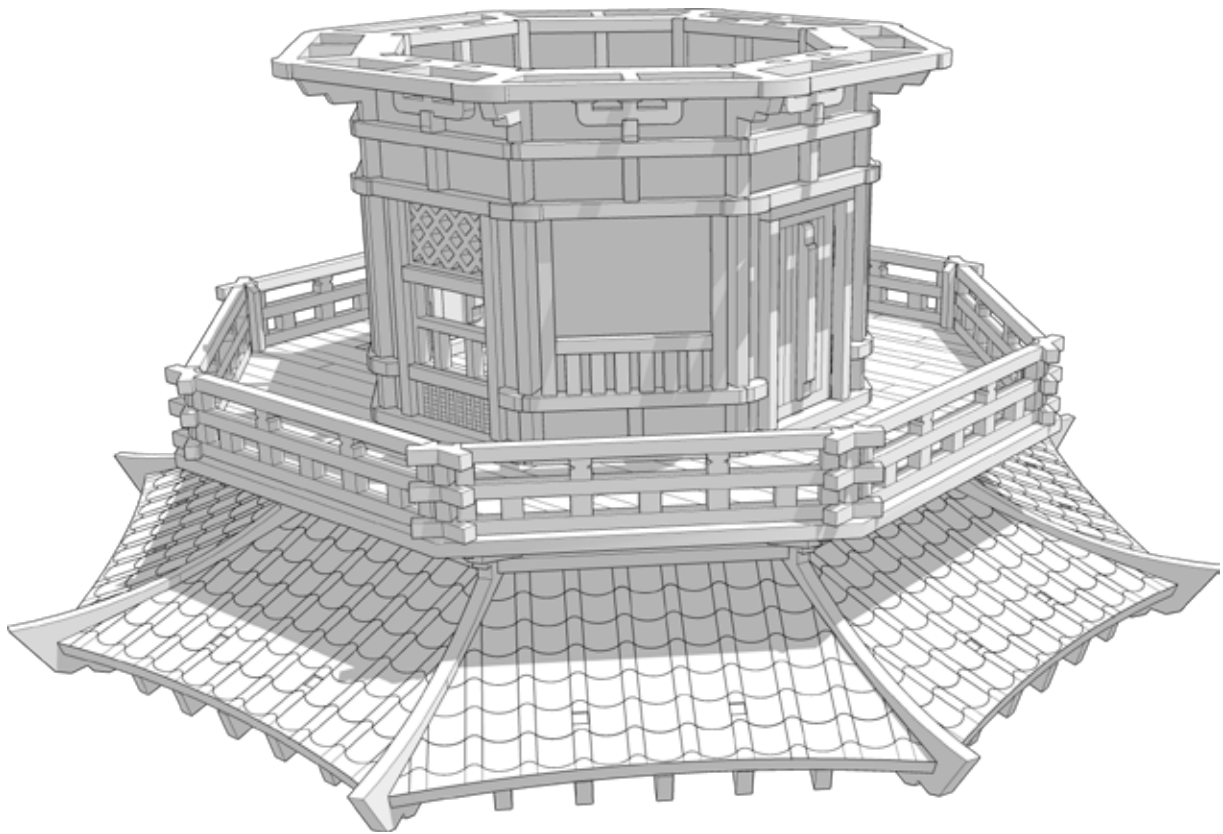




**TABLETOP
SCENICS**

**TTSCW-EES-112
Toshi : Hakkei-tō Pagoda
Enclosed Extention**



 **TTCOMBAT**



TABLETOP SCENICS

TTSCW-EES-112 Toshi : Hakkei-tō Pagoda Enclosed Extension

2

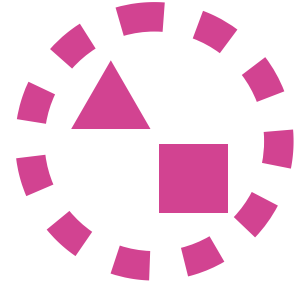
These are a series of icons that may be used throughout the instructions to help your assembly.
If in doubt, scroll ahead to confirm.



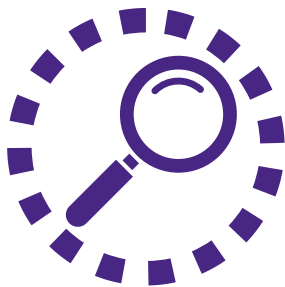
Do not glue this part



Carefully score and
fold this part



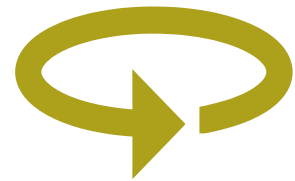
This part - or its placement is
completely optional



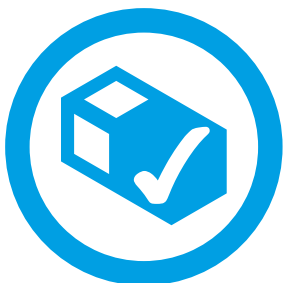
Look closely at this step -
The process order or part
used, may be specific



Repeat making this part
the specified number
of times



The next instruction step
will be the same assembly
so far, but from a different
angle



Sub-assembly complete.
This smaller construction
is ready to add to the
main kit



Assembly Complete! There
could be more optional
parts - check to the very end
of instructions



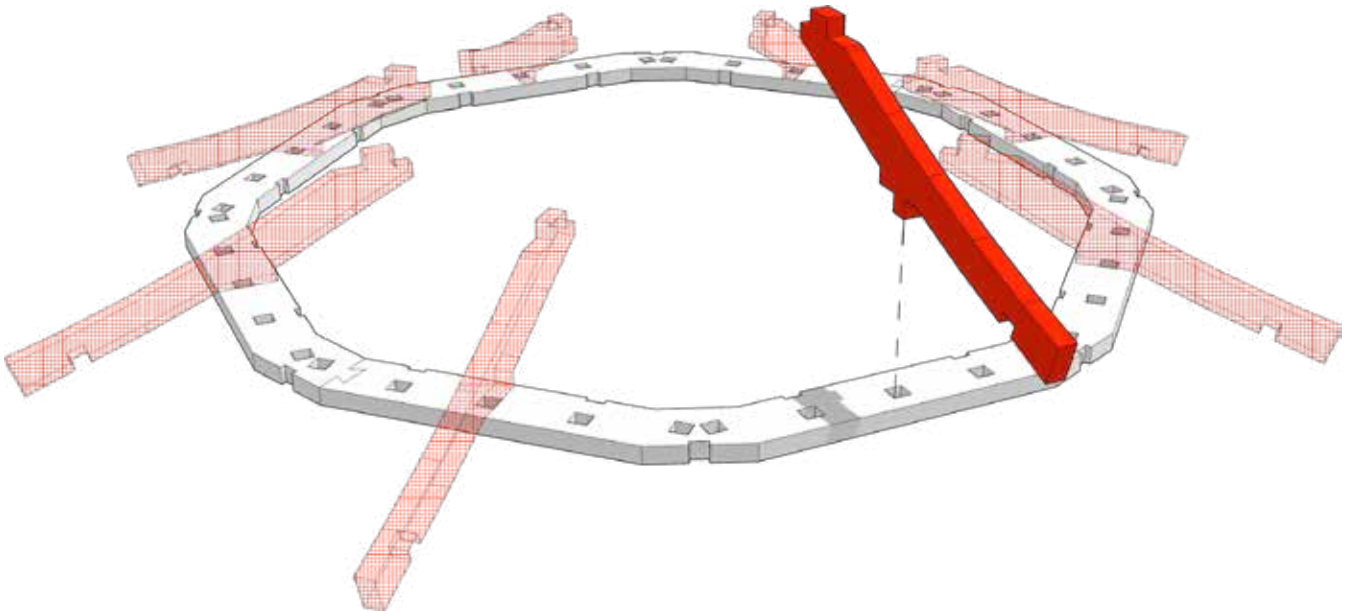
FRAGILE: DO NOT BEND.
“Bendy wood” is designed to
curve around a designed
frame only.



TABLETOP SCENICS

TTSCW-EES-112
Toshi : Hakkei-tō Pagoda
Enclosed Extention

3



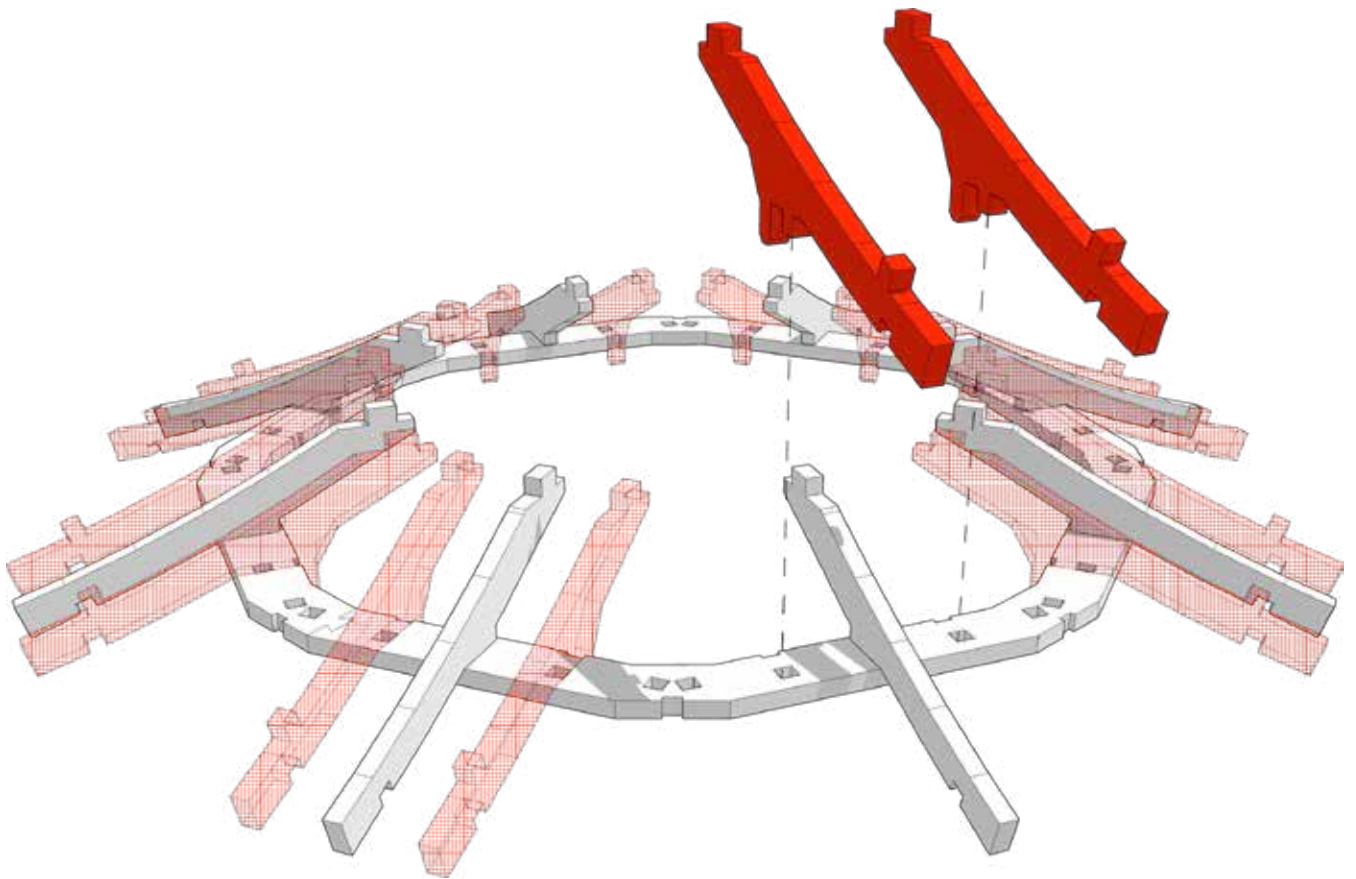
PVA recommended for this stage of the roof to allow for some movement during construction



TABLETOP SCENICS

TTSCW-EES-112
Toshi : Hakkei-tō Pagoda
Enclosed Extention

4

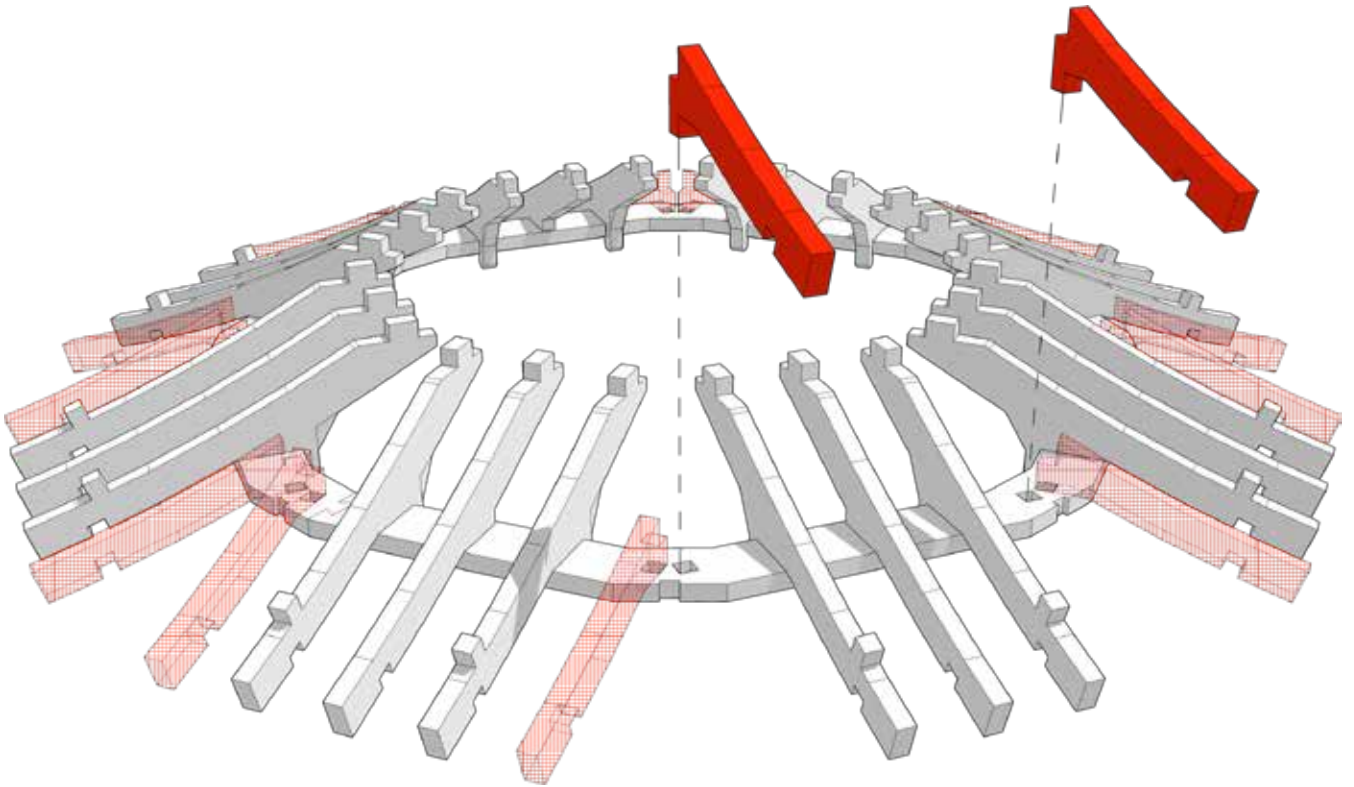




TABLETOP SCENICS

TTSCW-EES-112
Toshi : Hakkei-tō Pagoda
Enclosed Extention

5

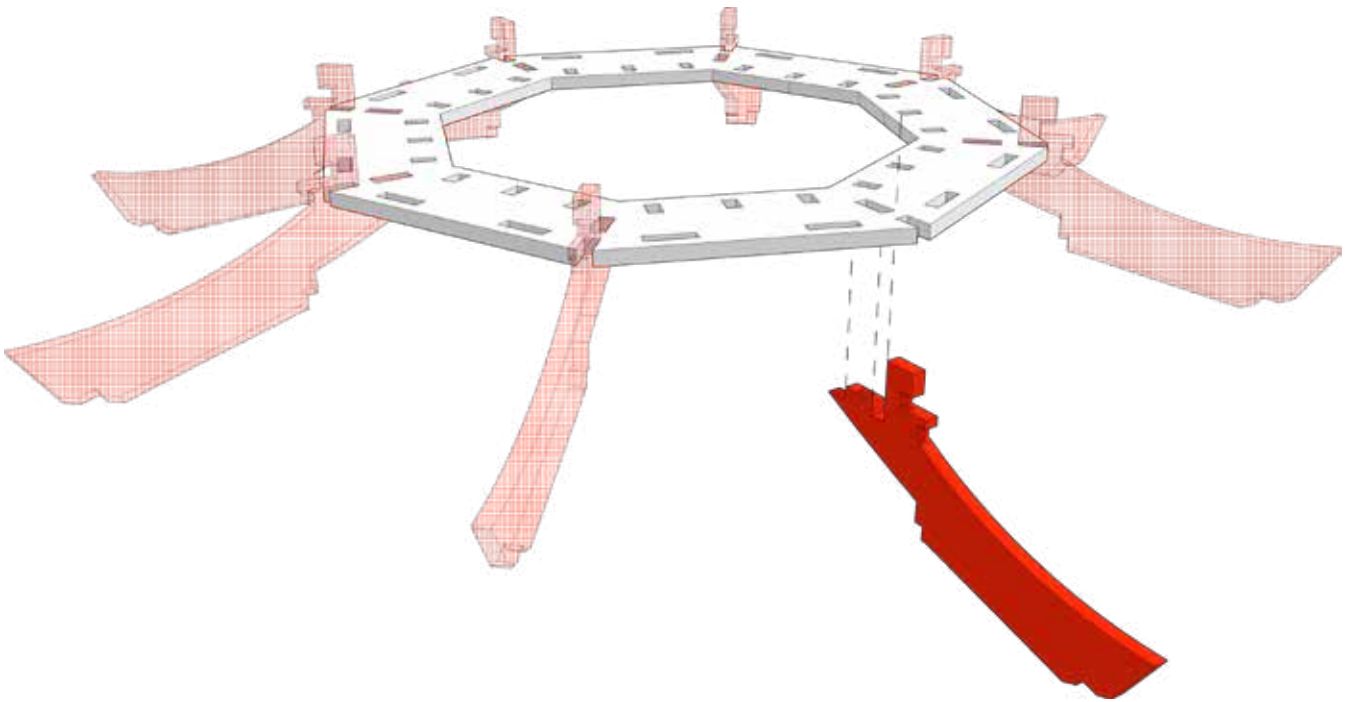




TABLETOP SCENICS

TTSCW-EES-112
Toshi : Hakkei-tō Pagoda
Enclosed Extention

6

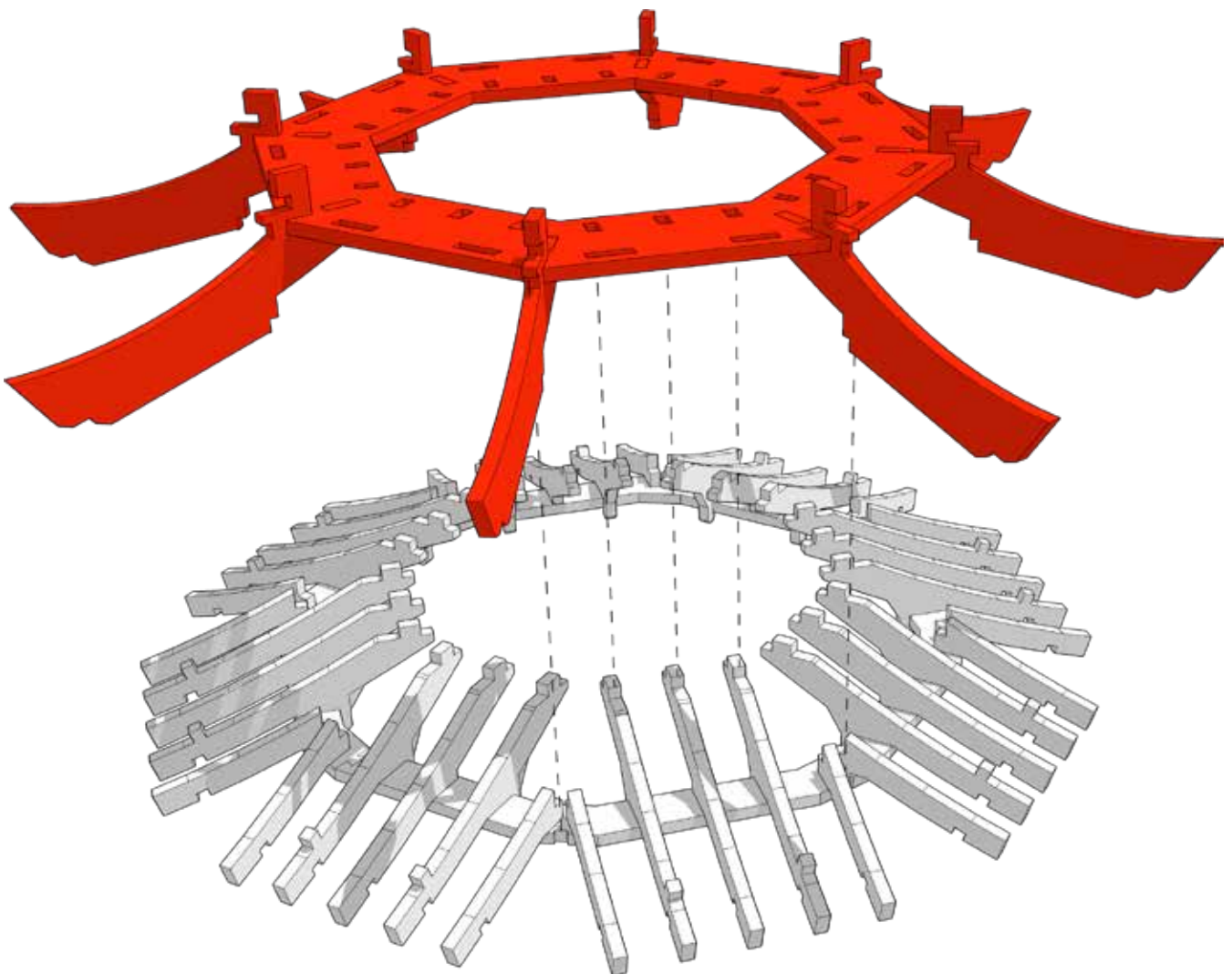




TABLETOP SCENICS

TTSCW-EES-112
Toshi : Hakkei-tō Pagoda
Enclosed Extention

7



It is likely parts will pop out as you progressively slot this on. Be sure to check all parts are fully in place before glue dries.

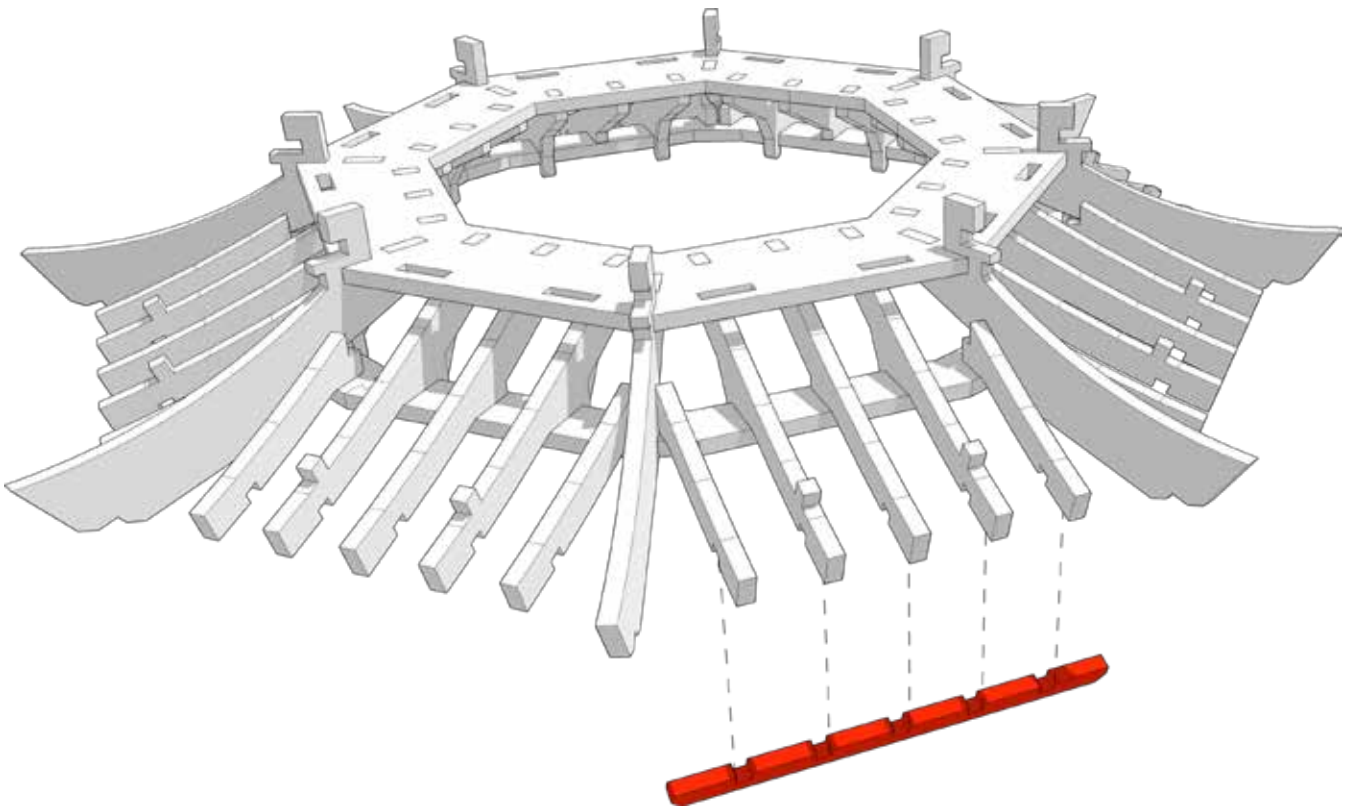




TABLETOP SCENICS

TTSCW-EES-112
Toshi : Hakkei-tō Pagoda
Enclosed Extention

8

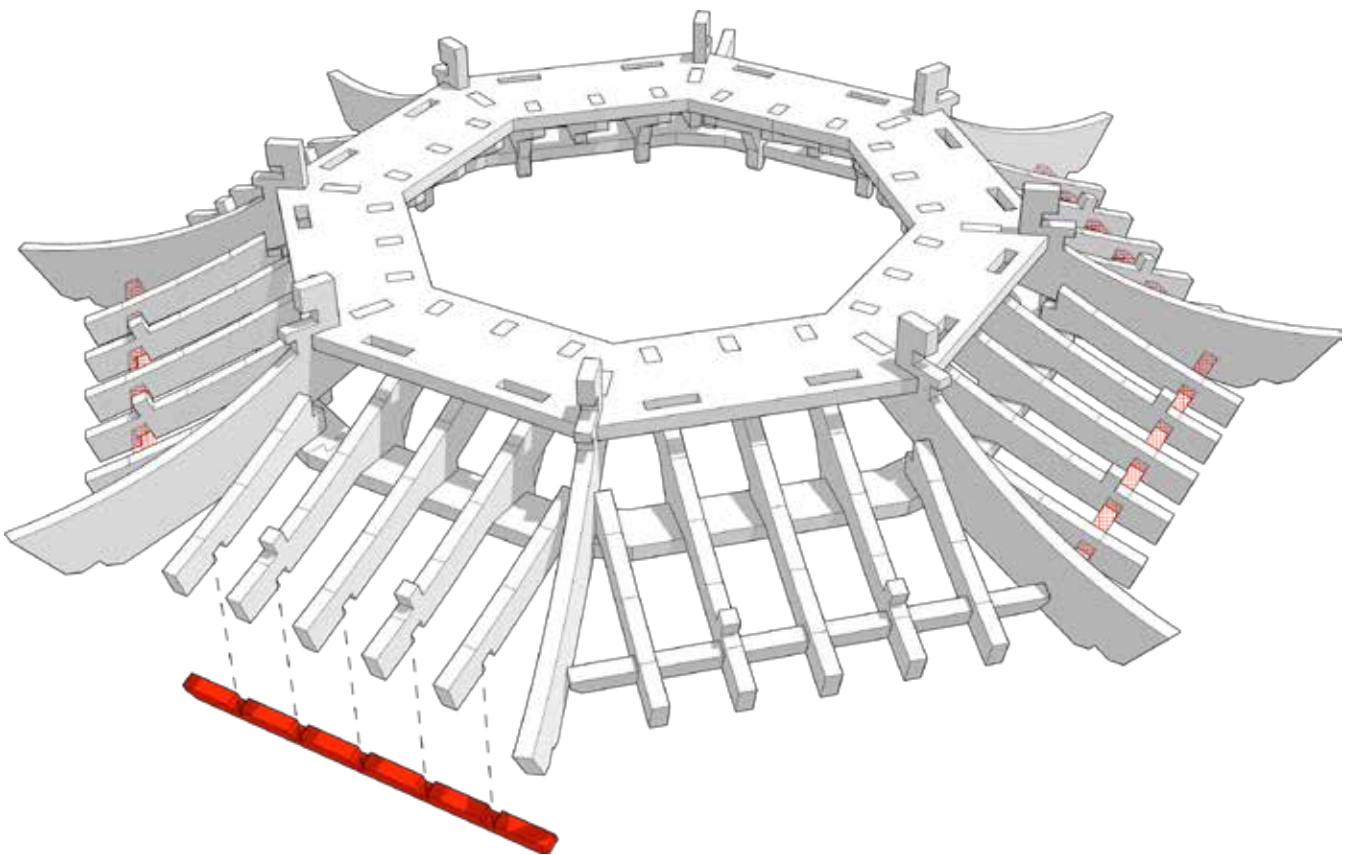




TABLETOP SCENICS

TTSCW-EES-112
Toshi : Hakkei-tō Pagoda
Enclosed Extension

9



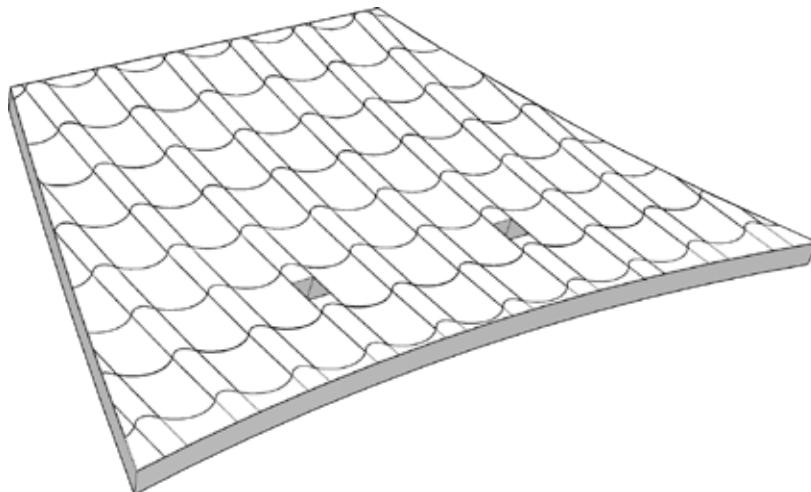
Repeat step for all remaining sides



TABLETOP SCENICS

TTSCW-EES-112
Toshi : Hakkei-tō Pagoda
Enclosed Extention

10



FRAGILE

Over bending will cause this to break

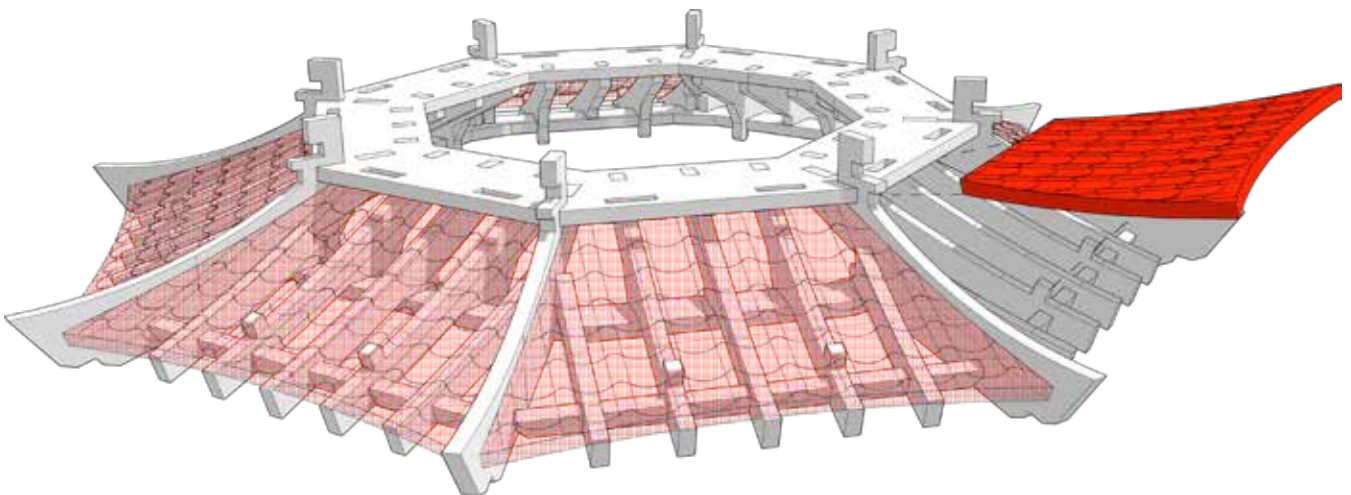
Do not bend freely



TABLETOP SCENICS

TTSCW-EES-112
Toshi : Hakkei-tō Pagoda
Enclosed Extention

11



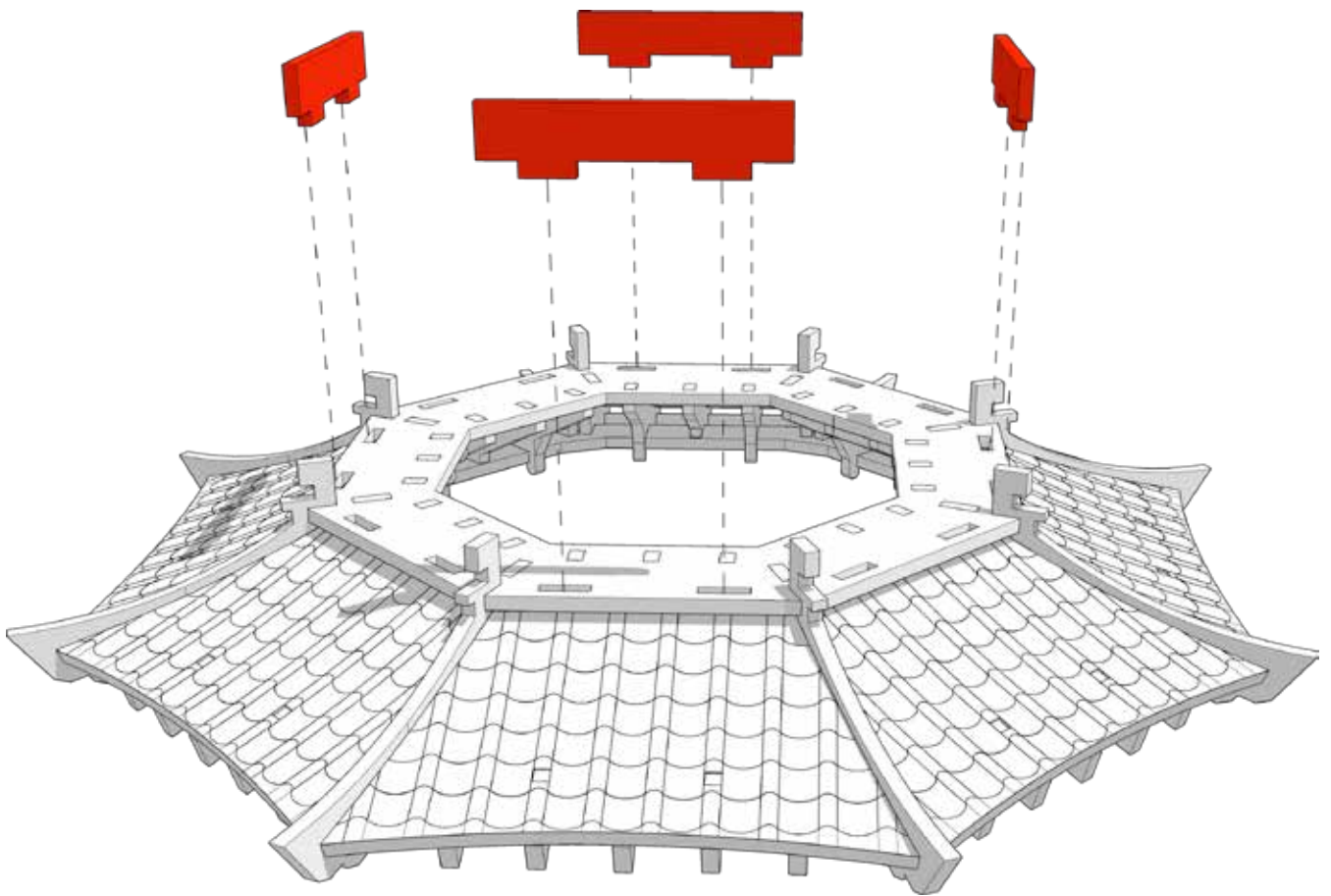
Roof sits under the larger hexagon part. Slot into place and align the tabs and push down. Using superglue or a fast drying glue is recommended. Repeat around the roof.



TABLETOP SCENICS

TTSCW-EES-112
Toshi : Hakkei-tō Pagoda
Enclosed Extention

12

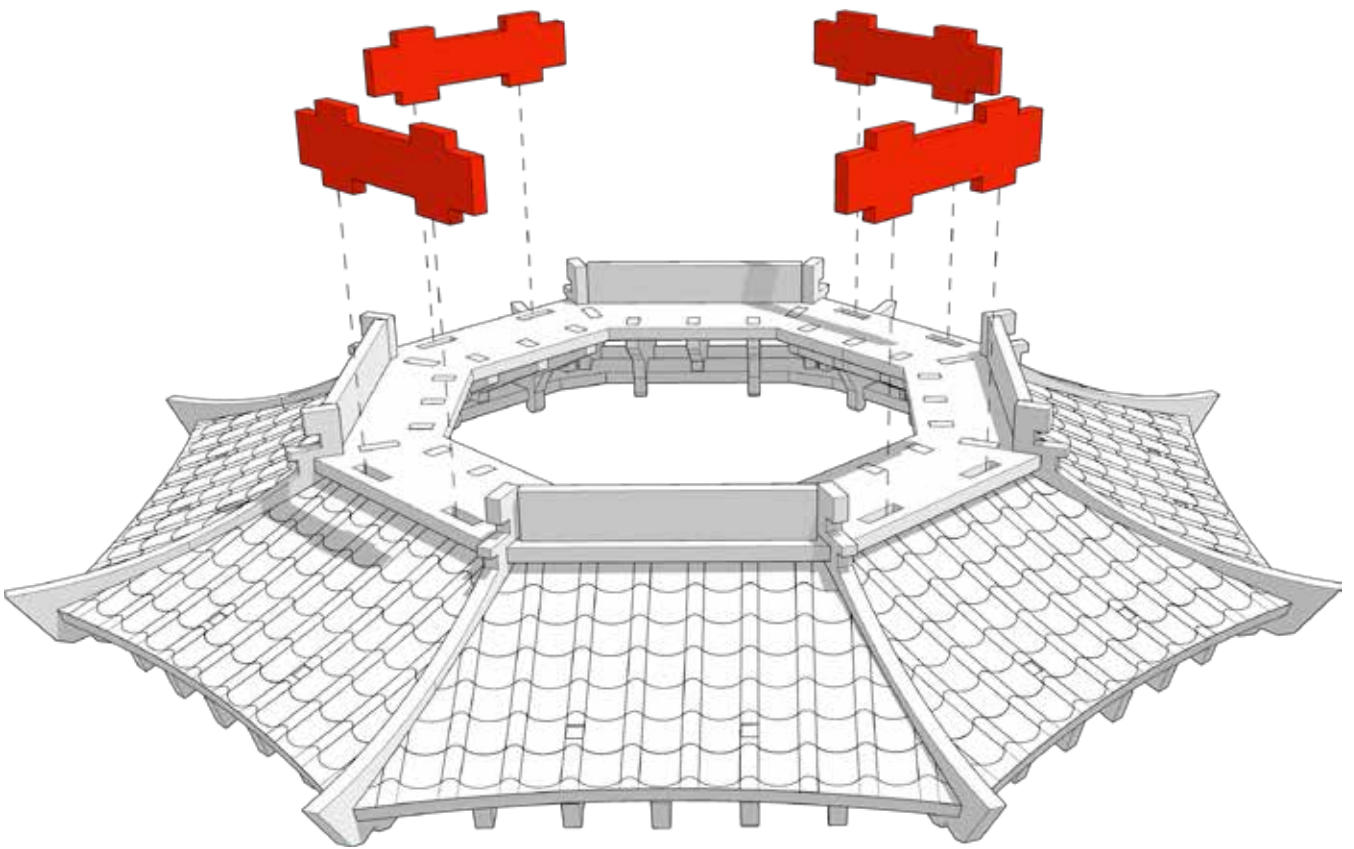




TABLETOP SCENICS

TTSCW-EES-112
Toshi : Hakkei-tō Pagoda
Enclosed Extention

13

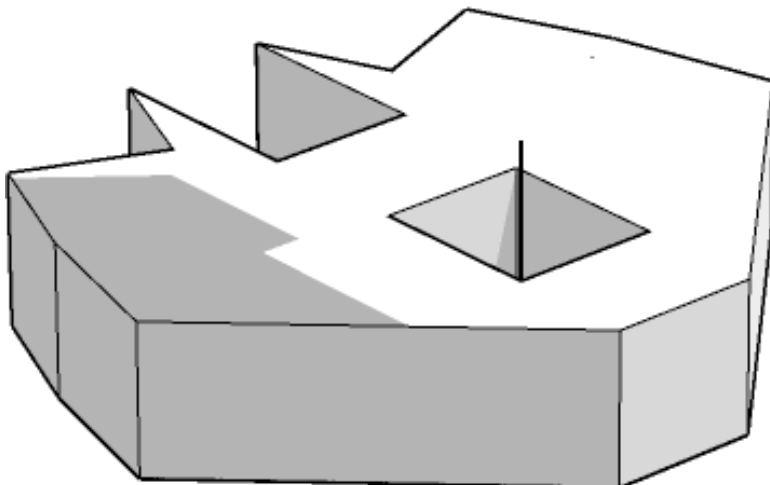
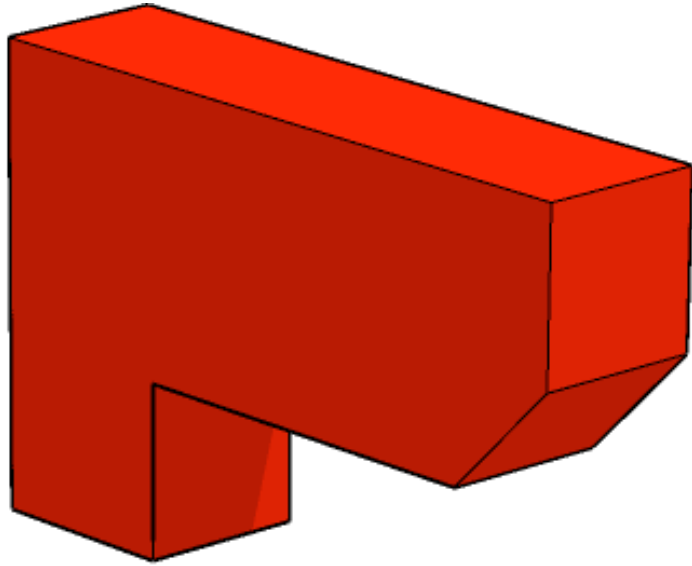




TABLETOP SCENICS

TTSCW-EES-112
Toshi : Hakkei-tō Pagoda
Enclosed Extention

14

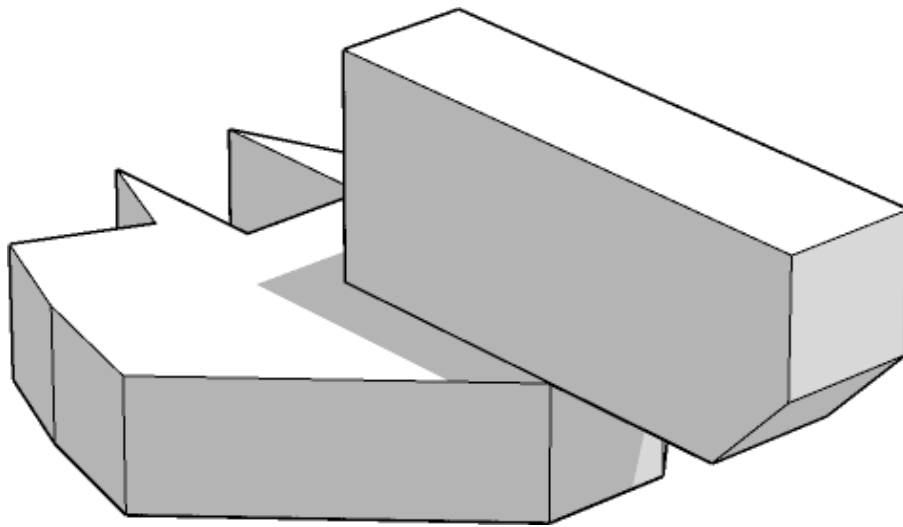




TABLETOP SCENICS

TTSCW-EES-112
Toshi : Hakkei-tō Pagoda
Enclosed Extention

15

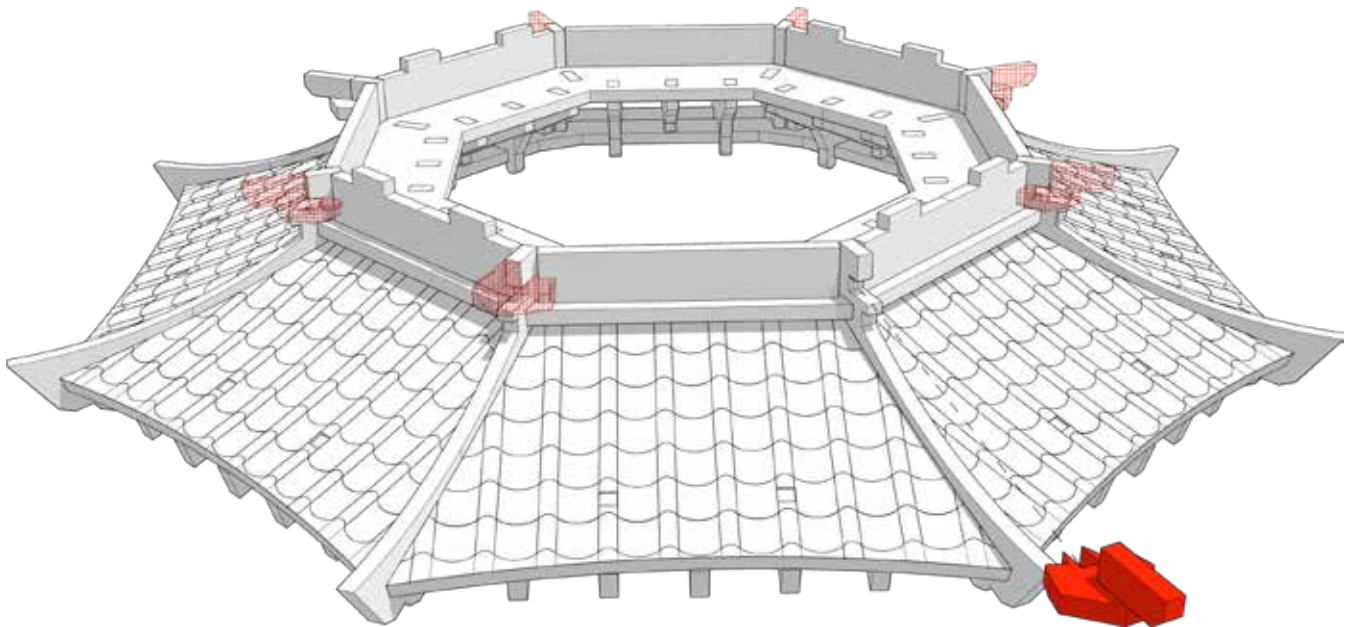




TABLETOP SCENICS

TTSCW-EES-112
Toshi : Hakkei-tō Pagoda
Enclosed Extention

16



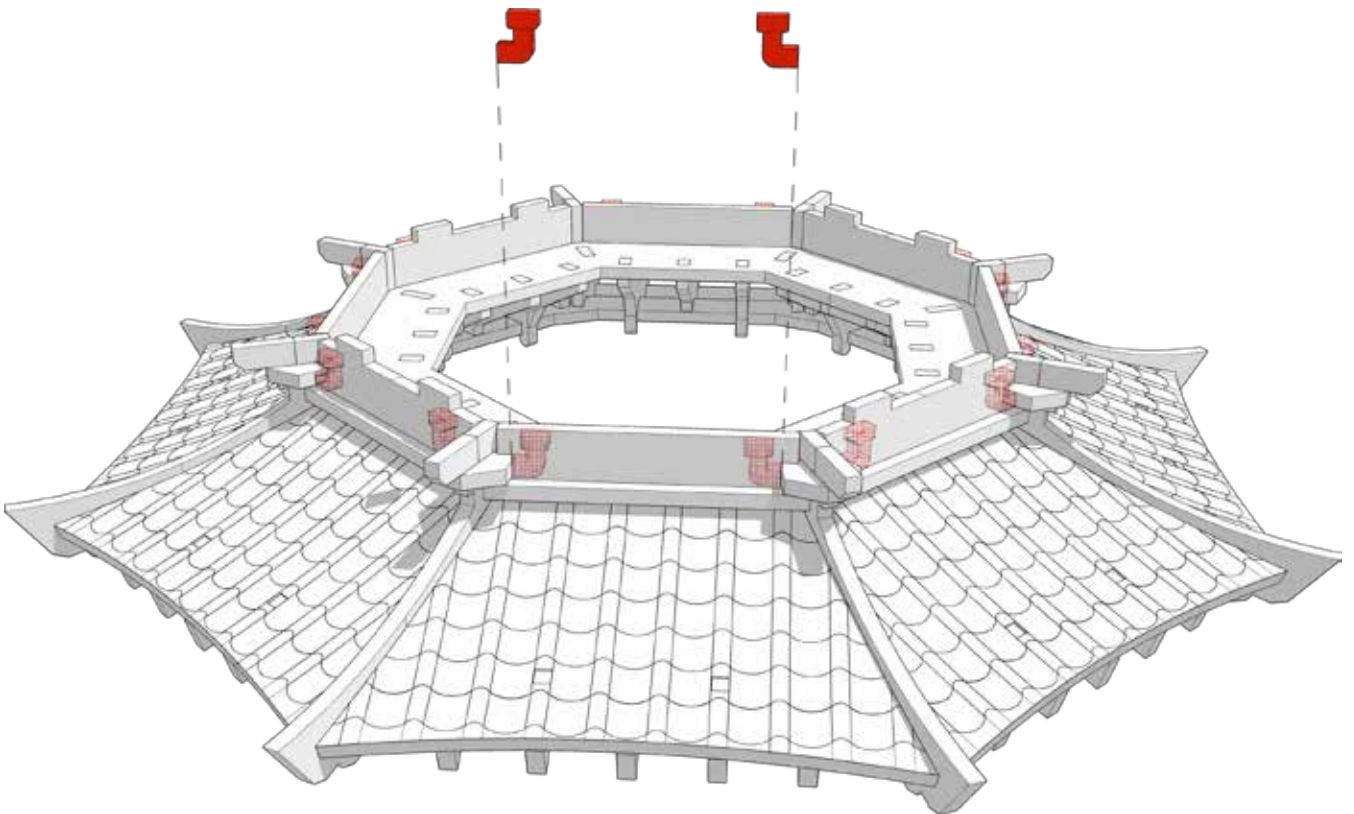
Repeat the step around the roof



TABLETOP SCENICS

TTSCW-EES-112
Toshi : Hakkei-tō Pagoda
Enclosed Extention

17



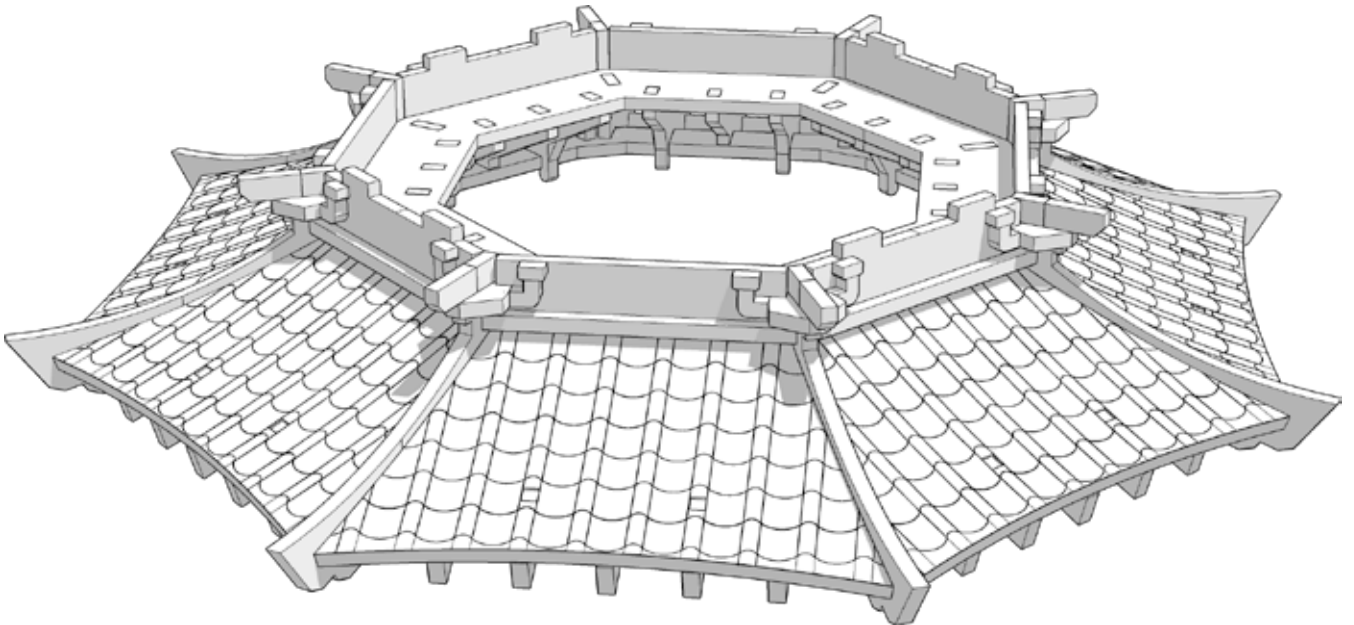
Repeat step around the roof



TABLETOP SCENICS

TTSCW-EES-112
Toshi : Hakkei-tō Pagoda
Enclosed Extention

18

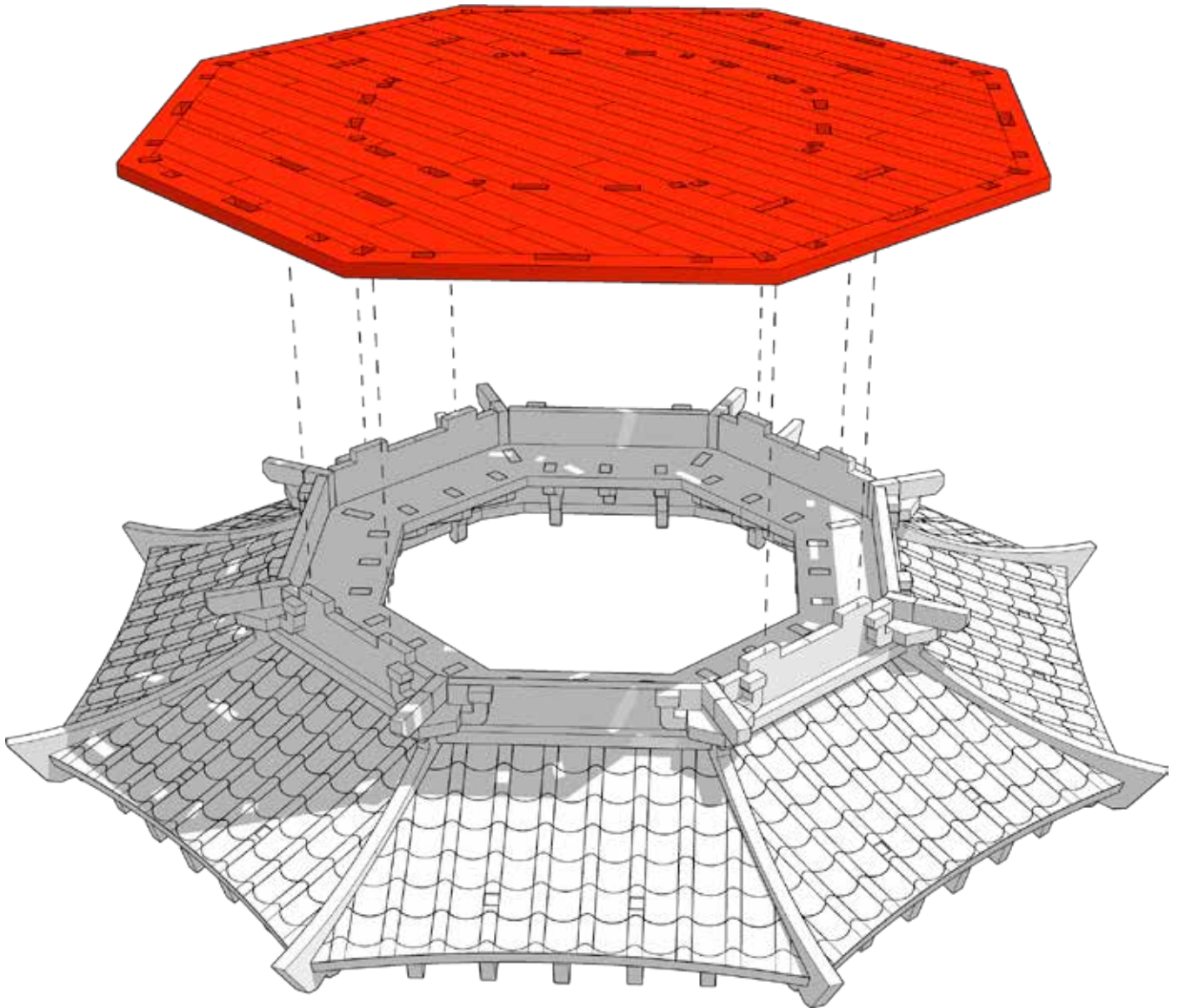




TABLETOP SCENICS

TTSCW-EES-112
Toshi : Hakkei-tō Pagoda
Enclosed Extention

19

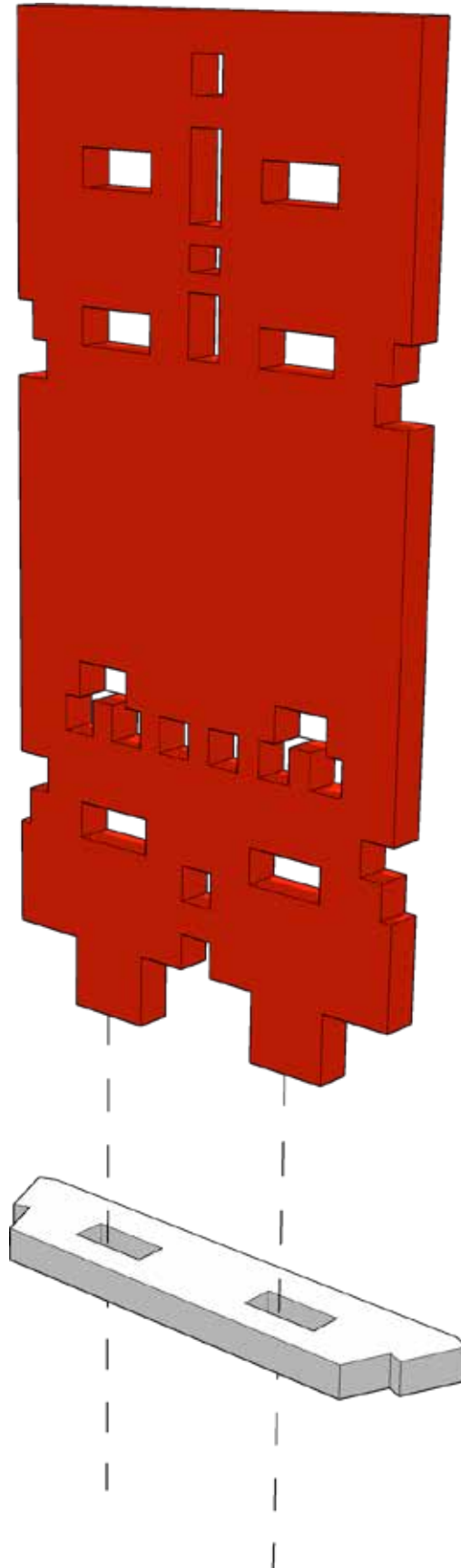




TABLETOP SCENICS

TTSCW-EES-112
Toshi : Hakkei-tō Pagoda
Enclosed Extention

20

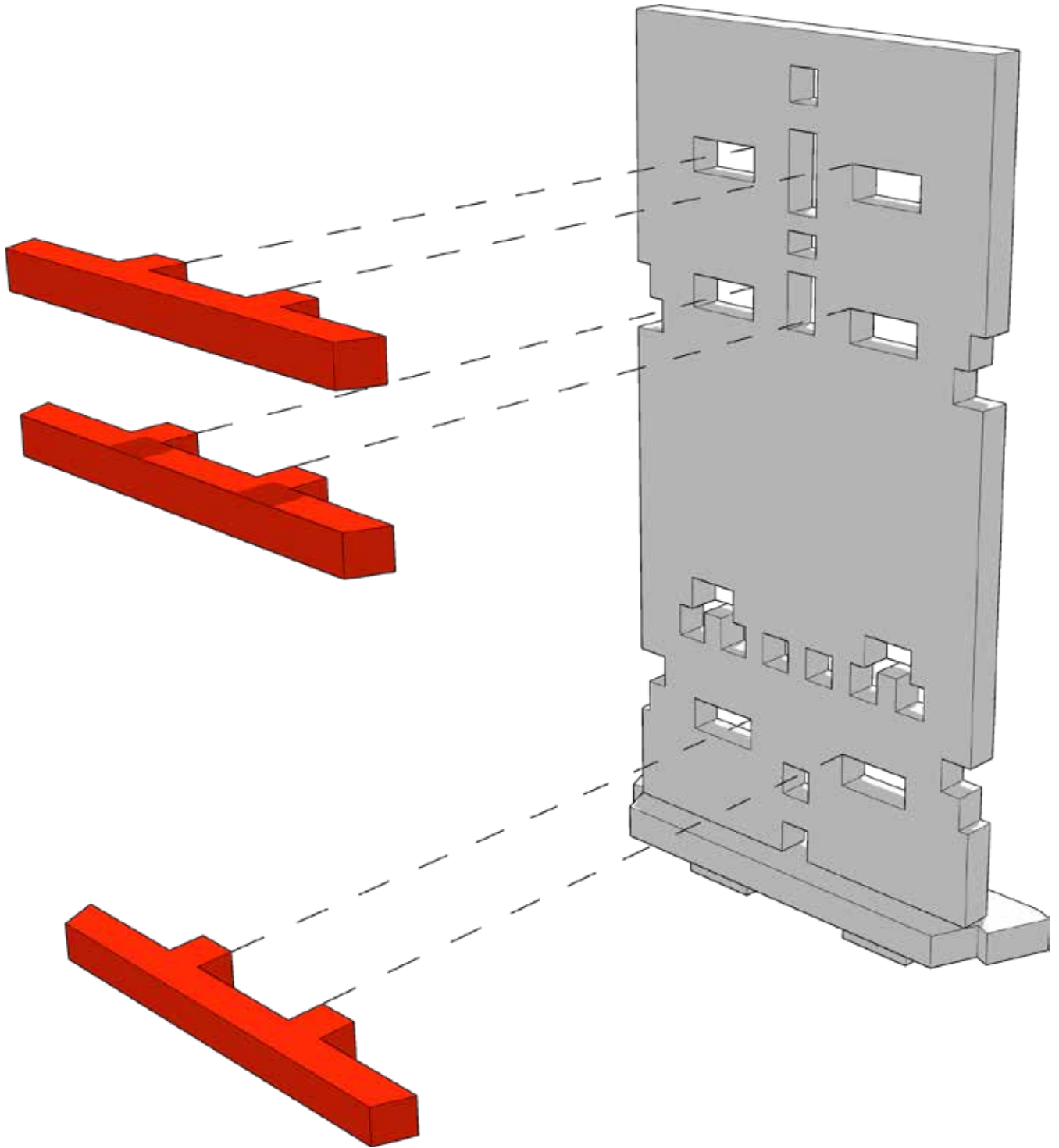




TABLETOP SCENICS

TTSCW-EES-112
Toshi : Hakkei-tō Pagoda
Enclosed Extention

21

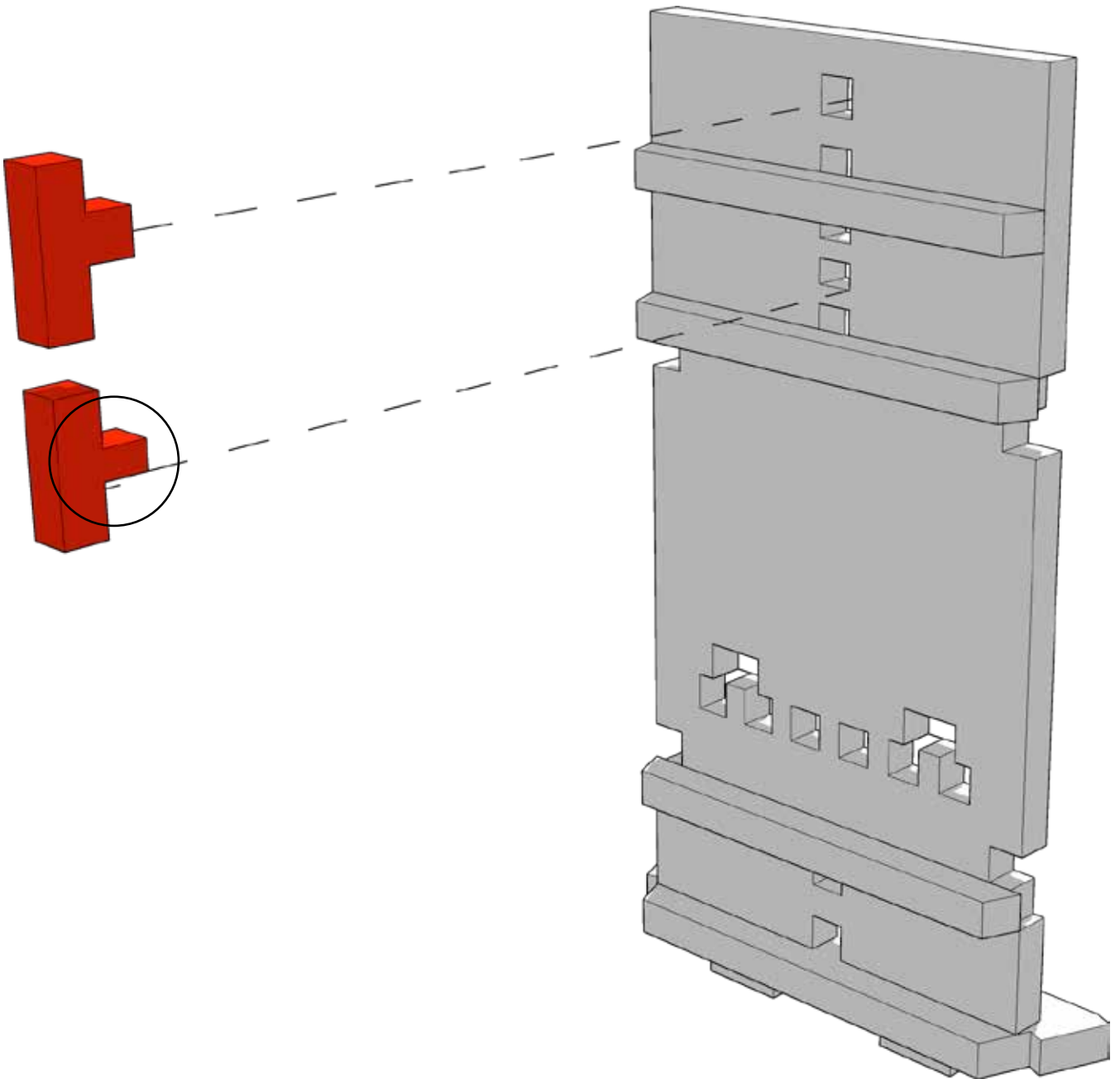




TABLETOP SCENICS

TTSCW-EES-112
Toshi : Hakkei-tō Pagoda
Enclosed Extention

22



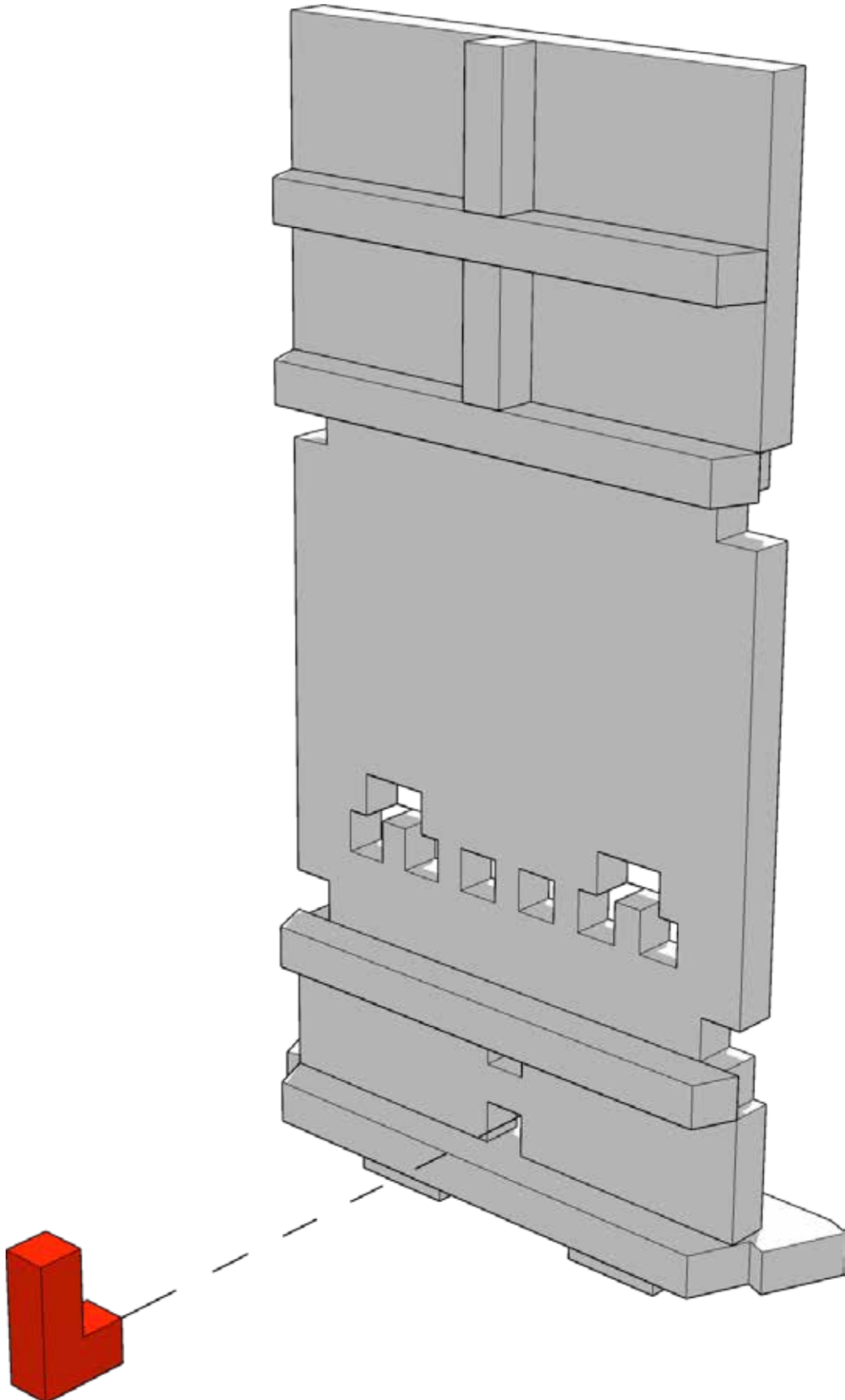
Circled part has a smaller tab than the one above and is labeled "B" on the sprues. The other is labeled "C"



TABLETOP SCENICS

TTSCW-EES-112
Toshi : Hakkei-tō Pagoda
Enclosed Extention

23



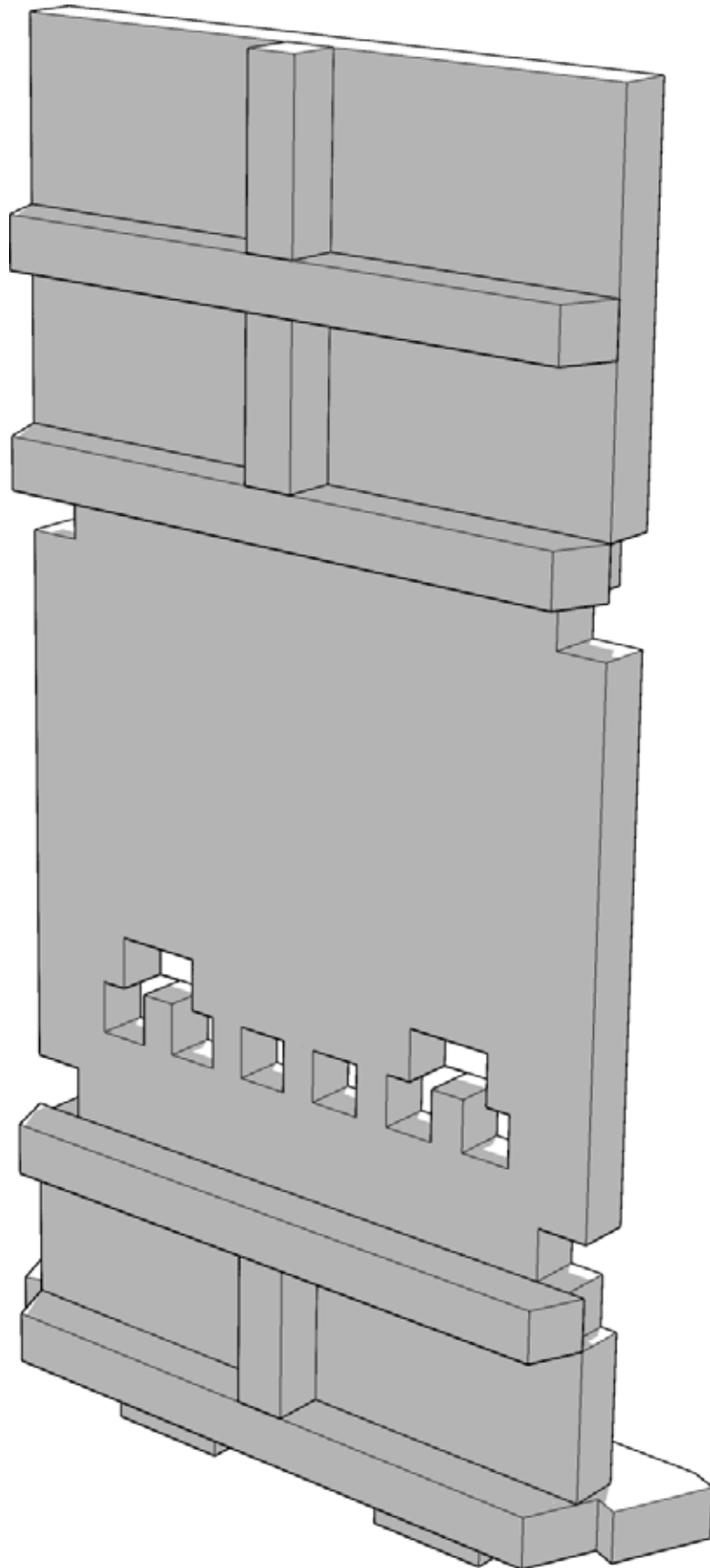
Highlighted part is labelled "A" on the sprues



TABLETOP SCENICS

TTSCW-EES-112
Toshi : Hakkei-tō Pagoda
Enclosed Extention

24

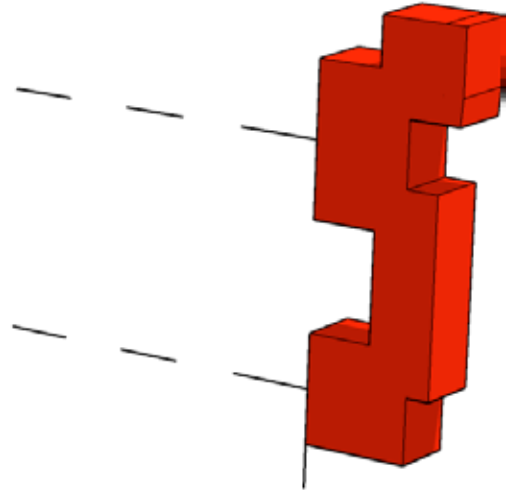
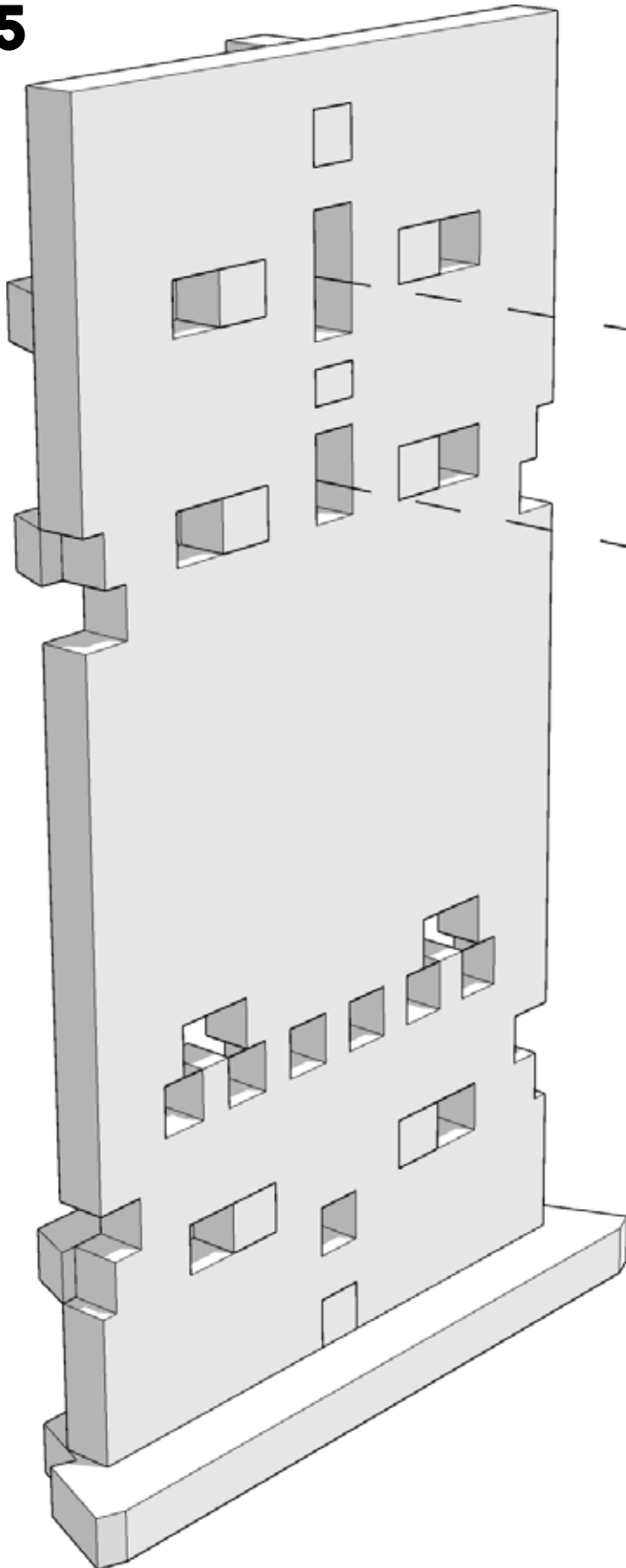




TABLETOP SCENICS

TTSCW-EES-112
Toshi : Hakkei-tō Pagoda
Enclosed Extention

25

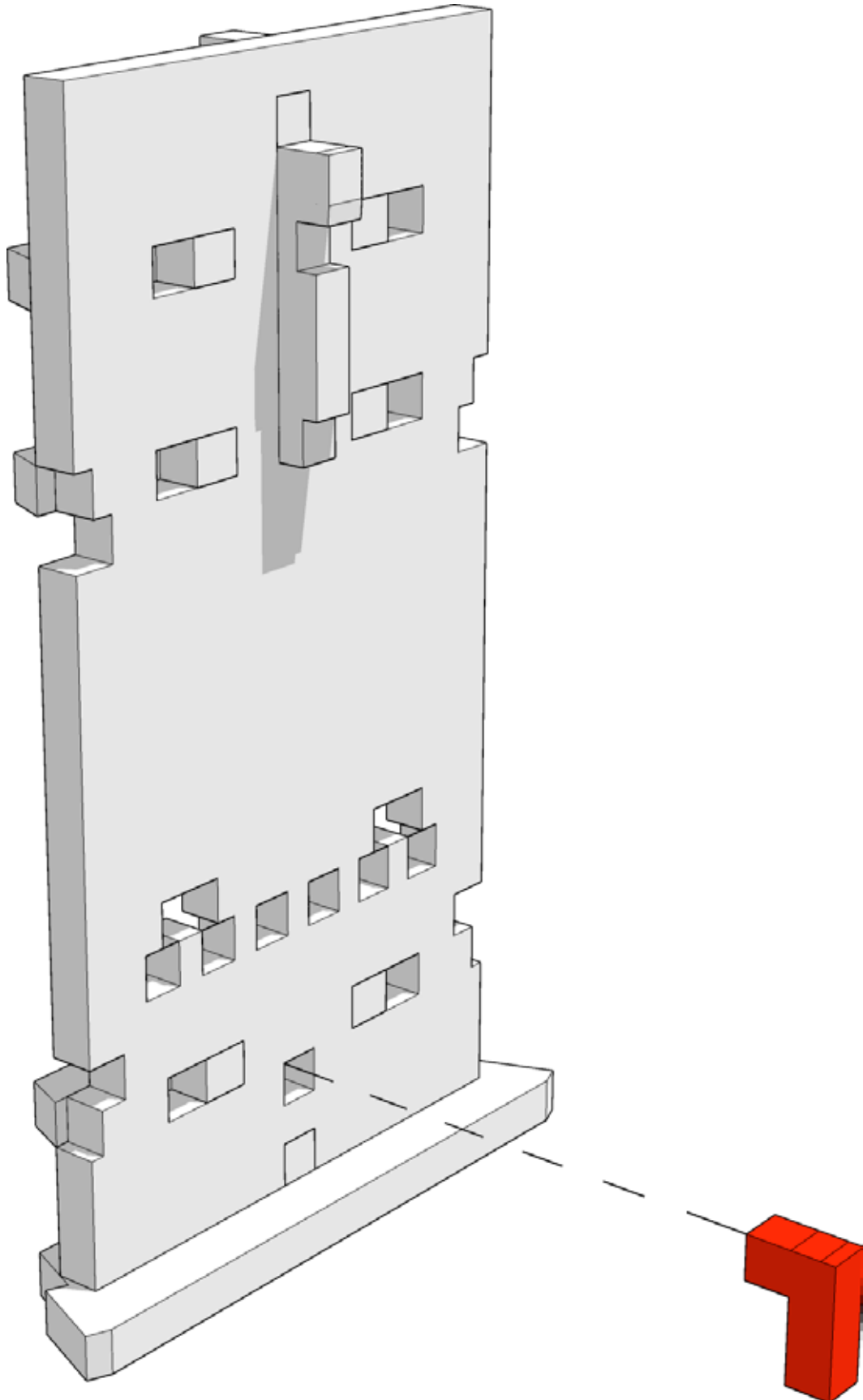




TABLETOP SCENICS

TTSCW-EES-112
Toshi : Hakkei-tō Pagoda
Enclosed Extention

26

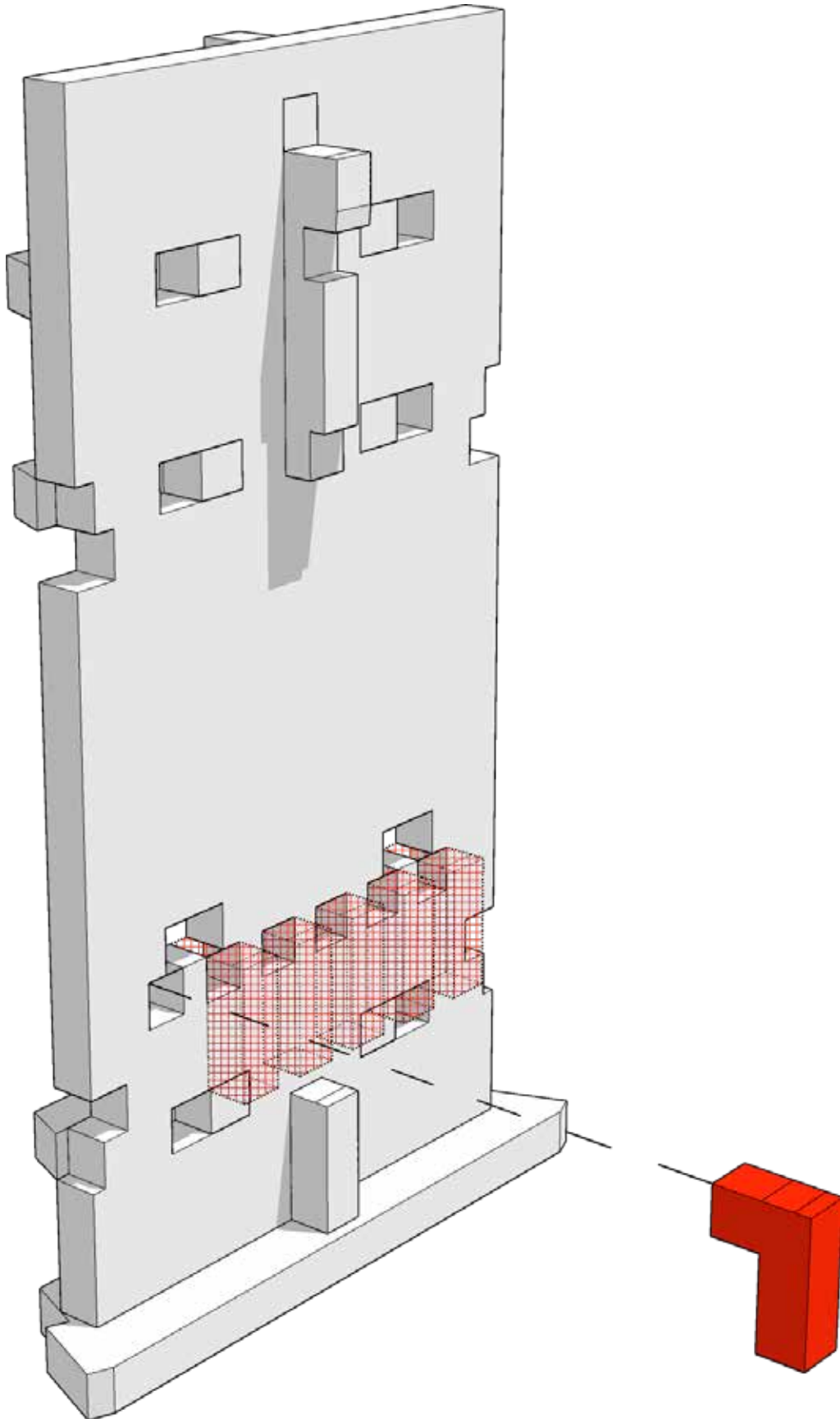




TABLETOP SCENICS

TTSCW-EES-112
Toshi : Hakkei-tō Pagoda
Enclosed Extention

27

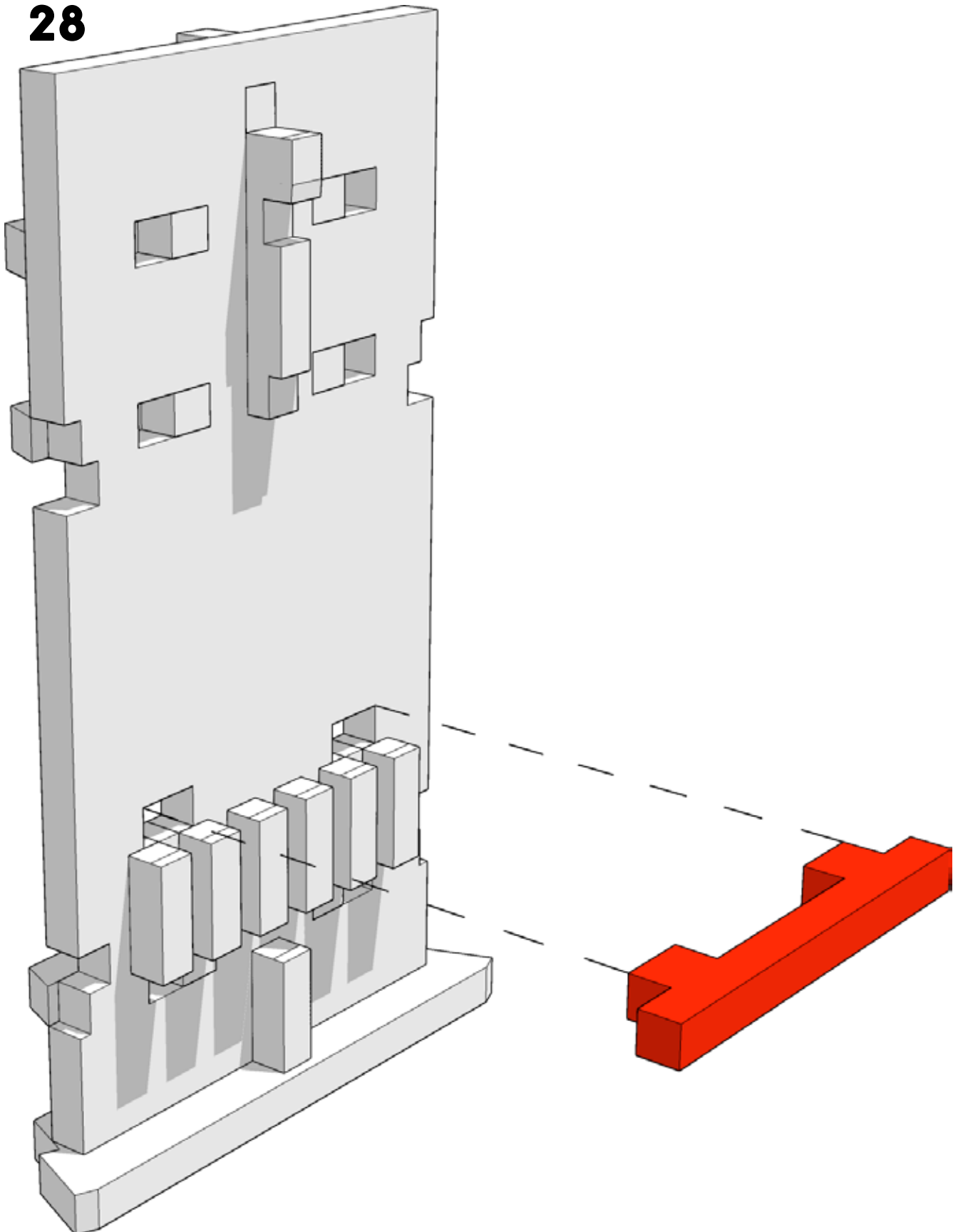




TABLETOP SCENICS

TTSCW-EES-112
Toshi : Hakkei-tō Pagoda
Enclosed Extention

28

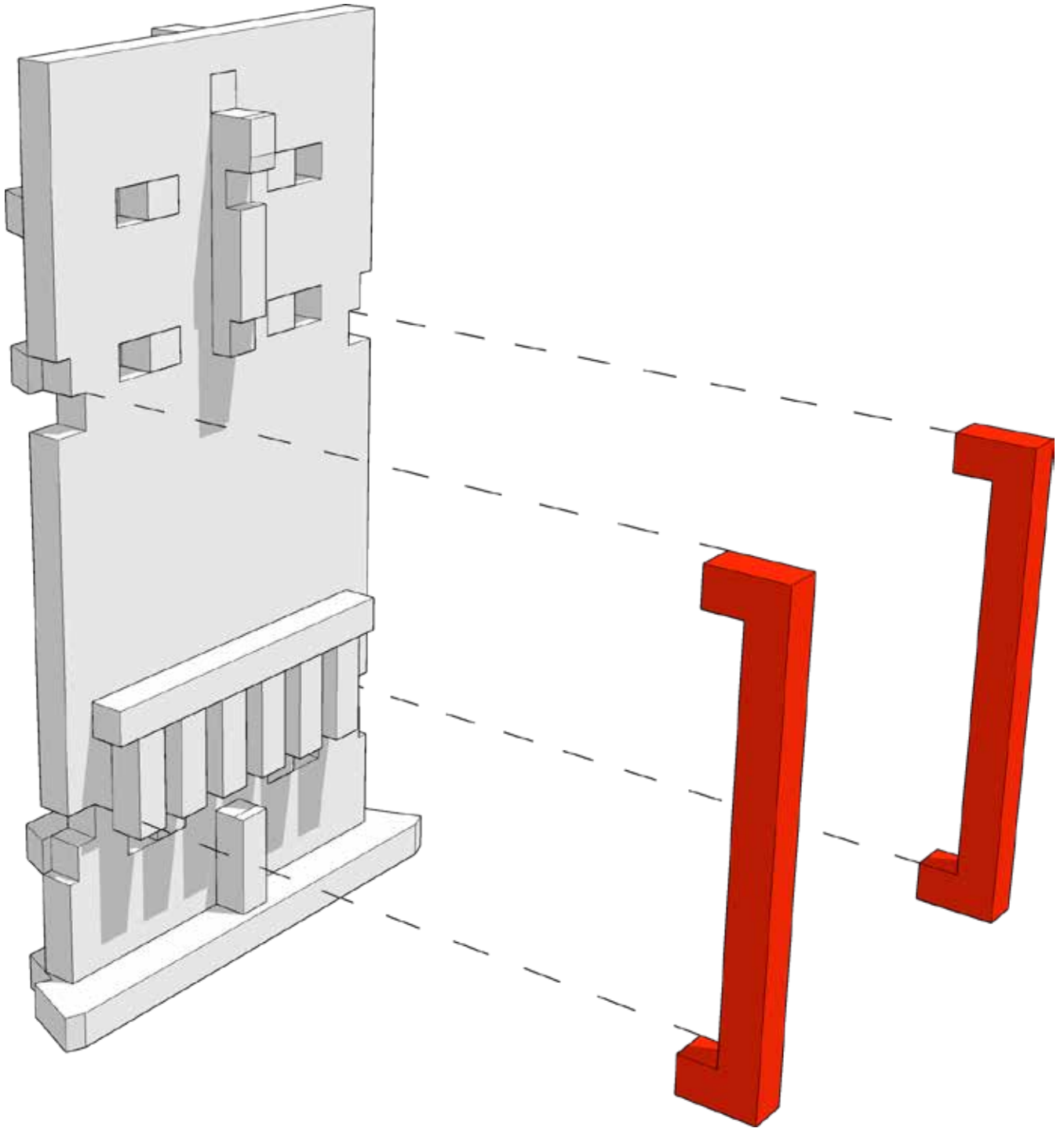




TABLETOP SCENICS

TTSCW-EES-112
Toshi : Hakkei-tō Pagoda
Enclosed Extention

29

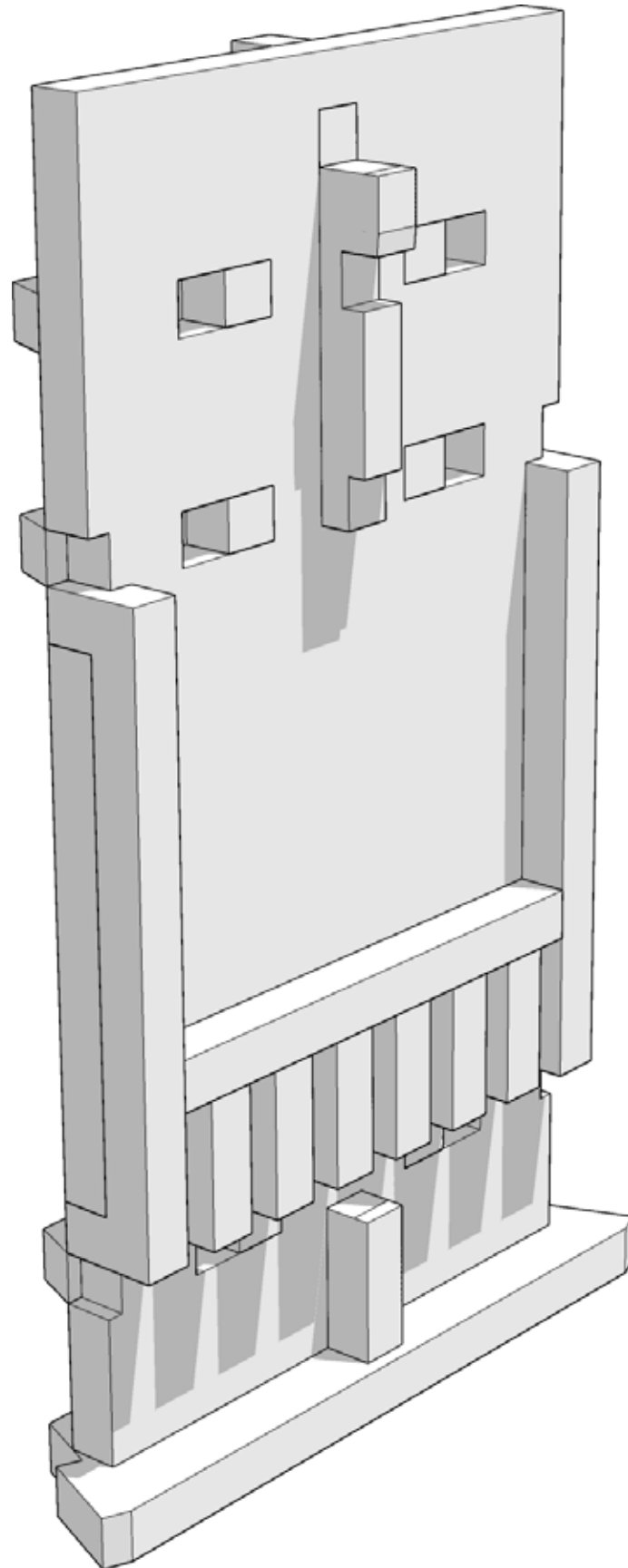




TABLETOP SCENICS

TTSCW-EES-112
Toshi : Hakkei-tō Pagoda
Enclosed Extention

30



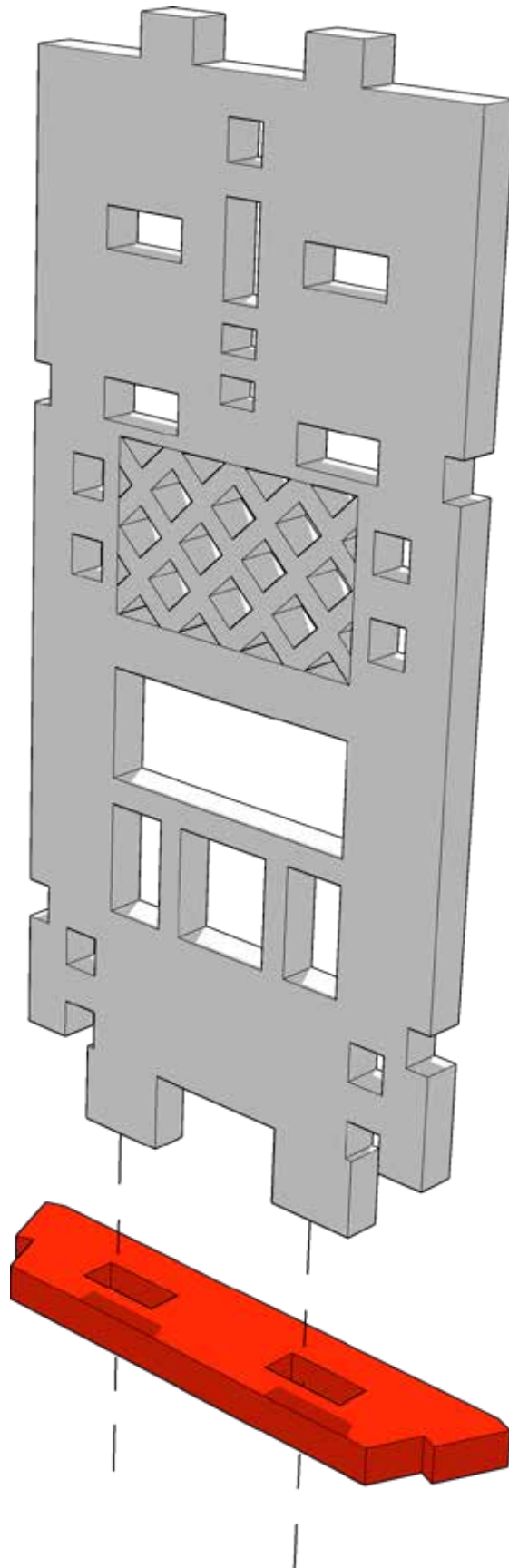
x4



TABLETOP SCENICS

TTSCW-EES-112
Toshi : Hakkei-tō Pagoda
Enclosed Extention

31

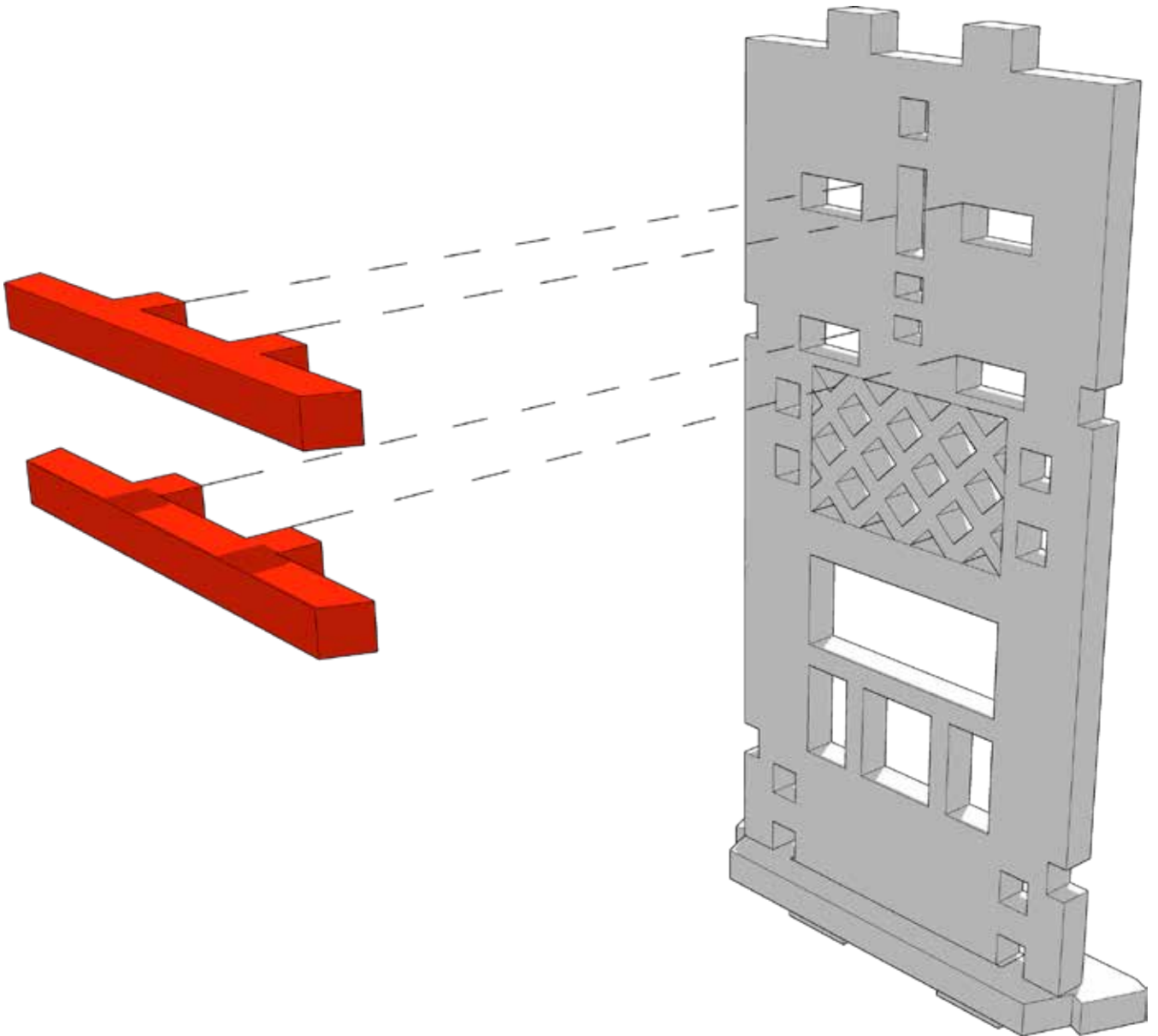




TABLETOP SCENICS

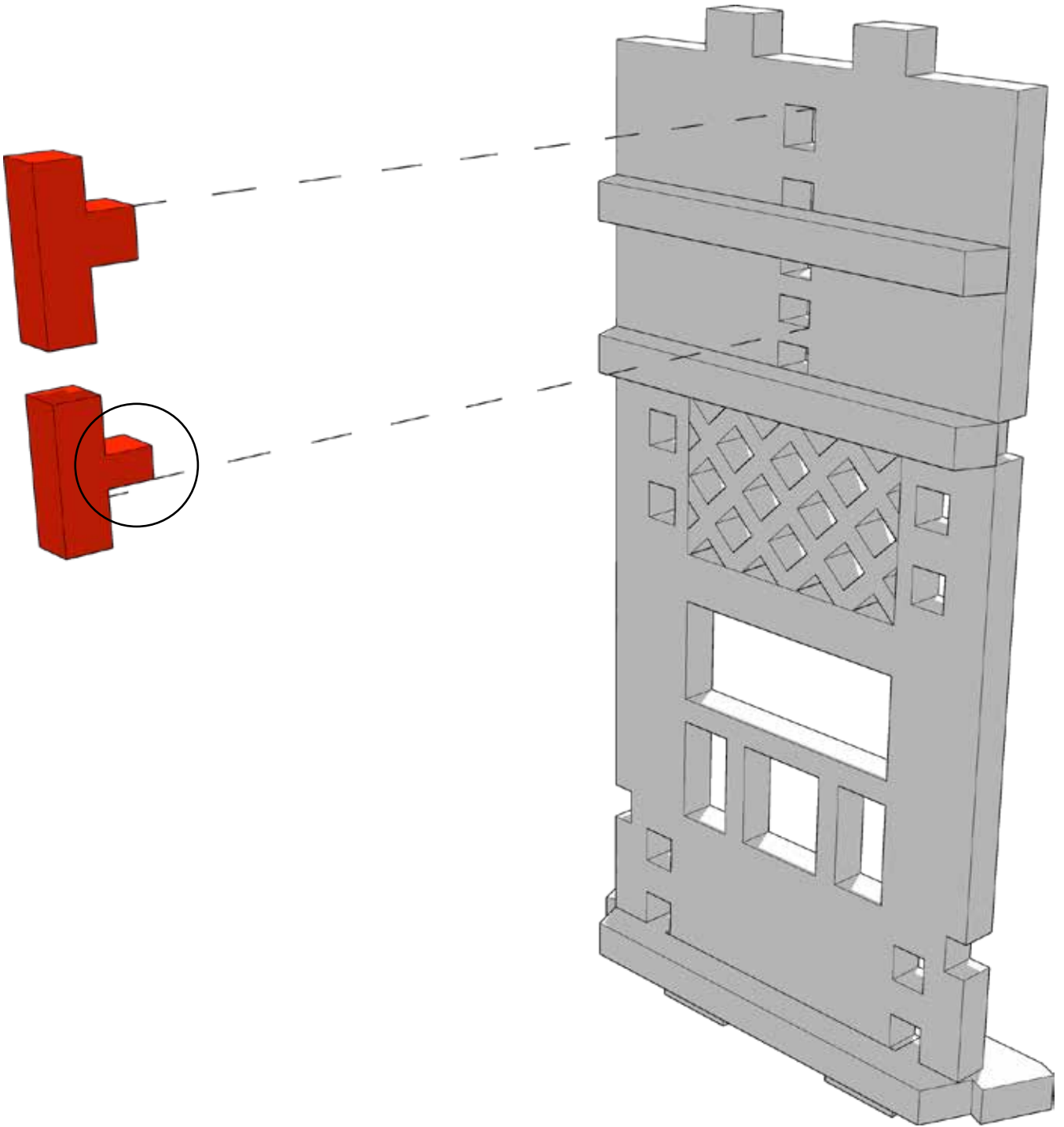
TTSCW-EES-112
Toshi : Hakkei-tō Pagoda
Enclosed Extention

32





33



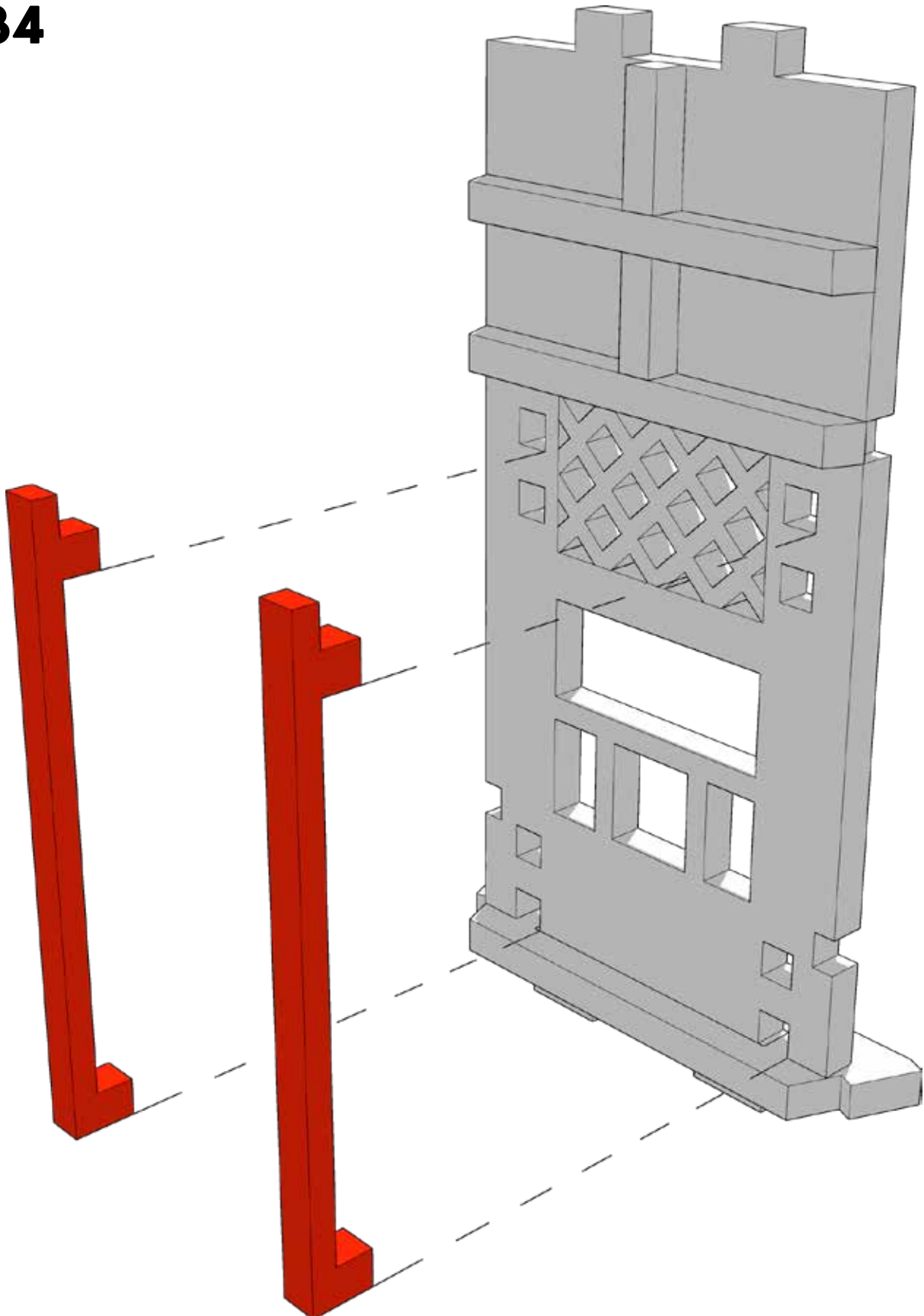
Circled part has a smaller tab than the one above and is labeled "B" on the sprues. The other is labeled "C"



TABLETOP SCENICS

TTSCW-EES-112
Toshi : Hakkei-tō Pagoda
Enclosed Extention

34

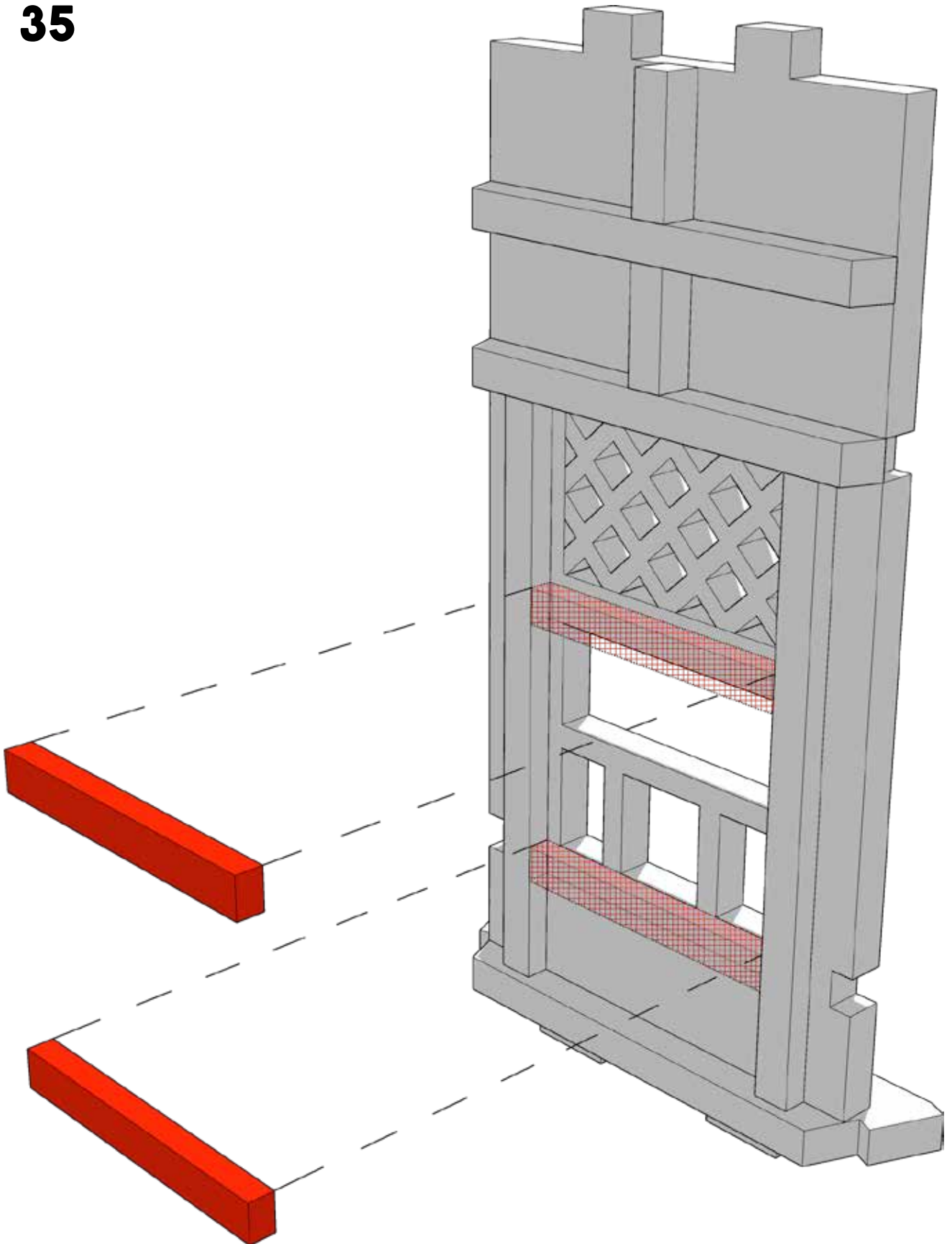




TABLETOP SCENICS

TTSCW-EES-112
Toshi : Hakkei-tō Pagoda
Enclosed Extention

35

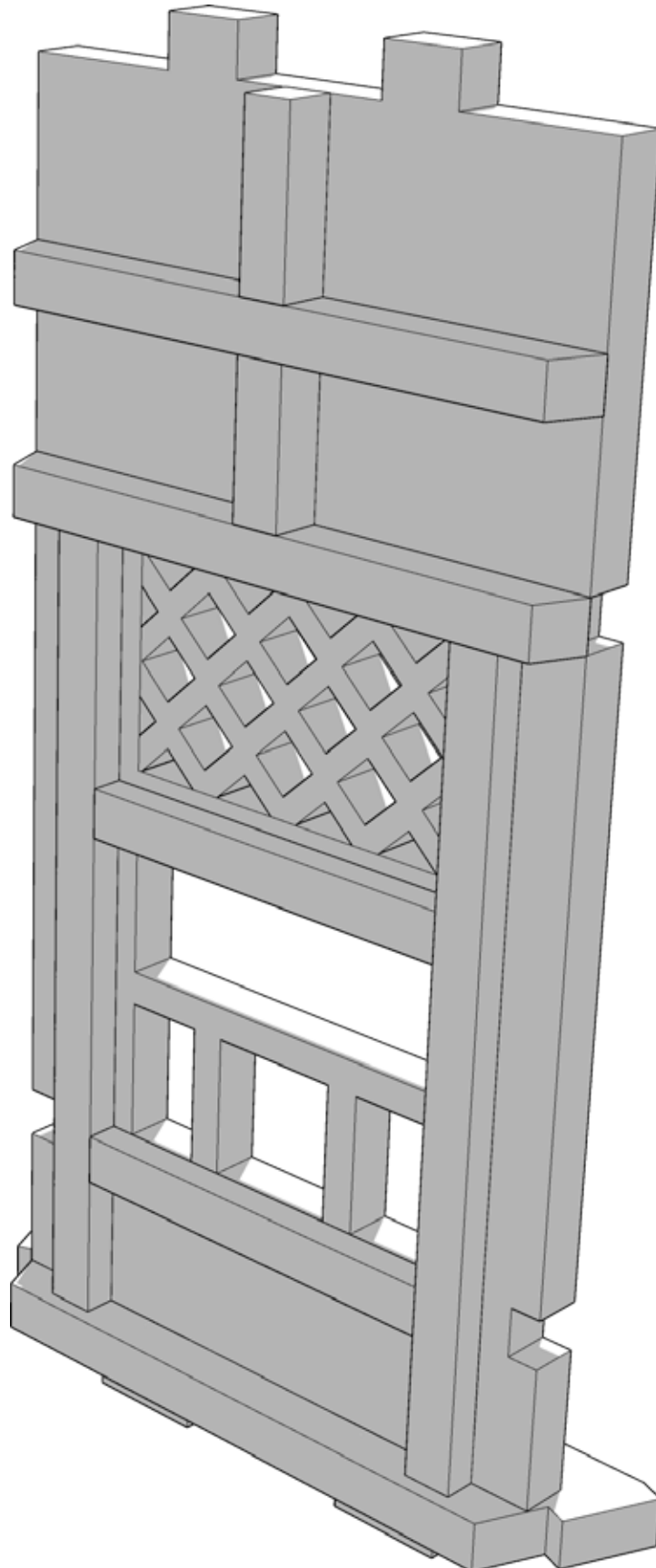




TABLETOP SCENICS

TTSCW-EES-112
Toshi : Hakkei-tō Pagoda
Enclosed Extention

36

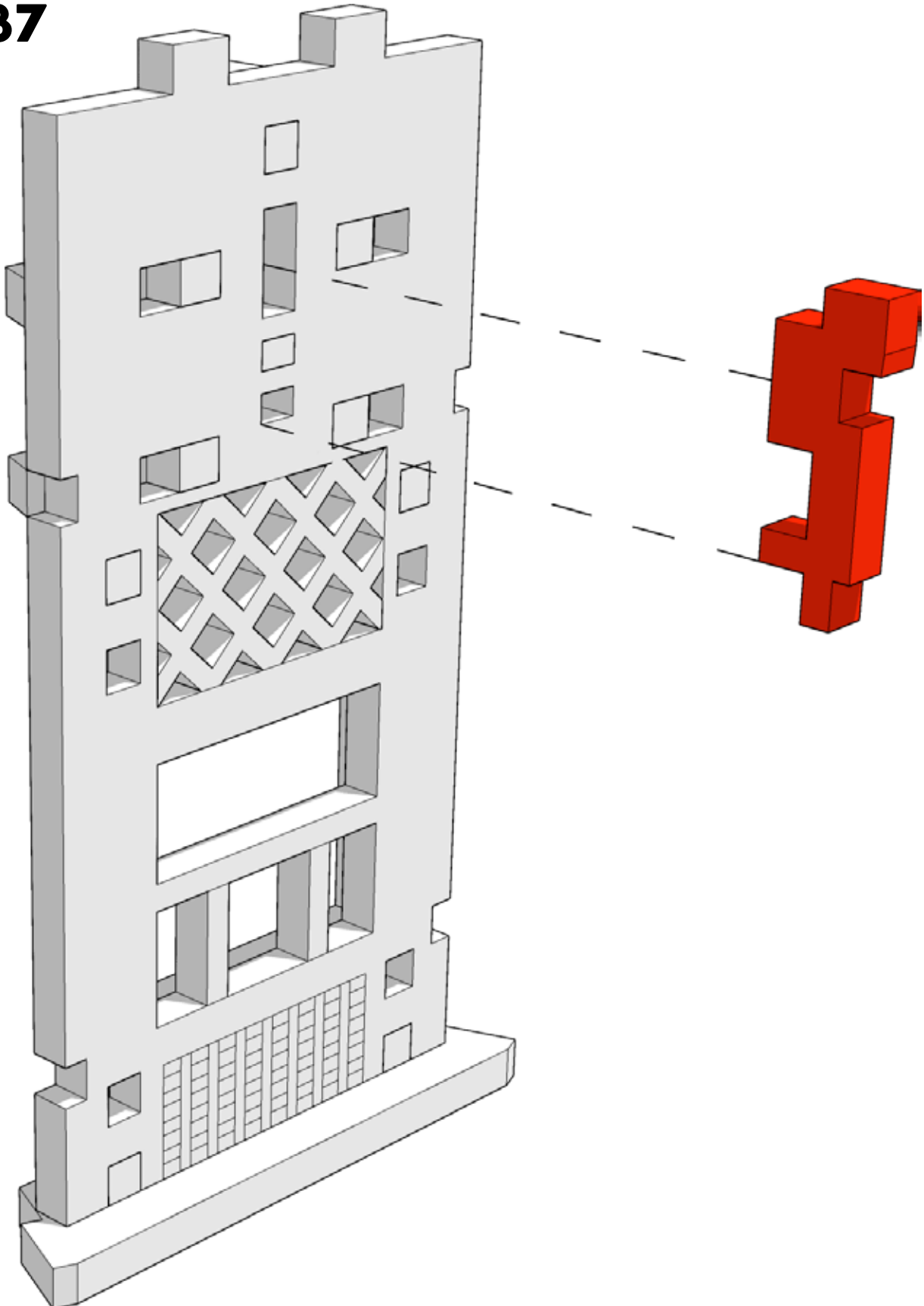




TABLETOP SCENICS

TTSCW-EES-112
Toshi : Hakkei-tō Pagoda
Enclosed Extention

37

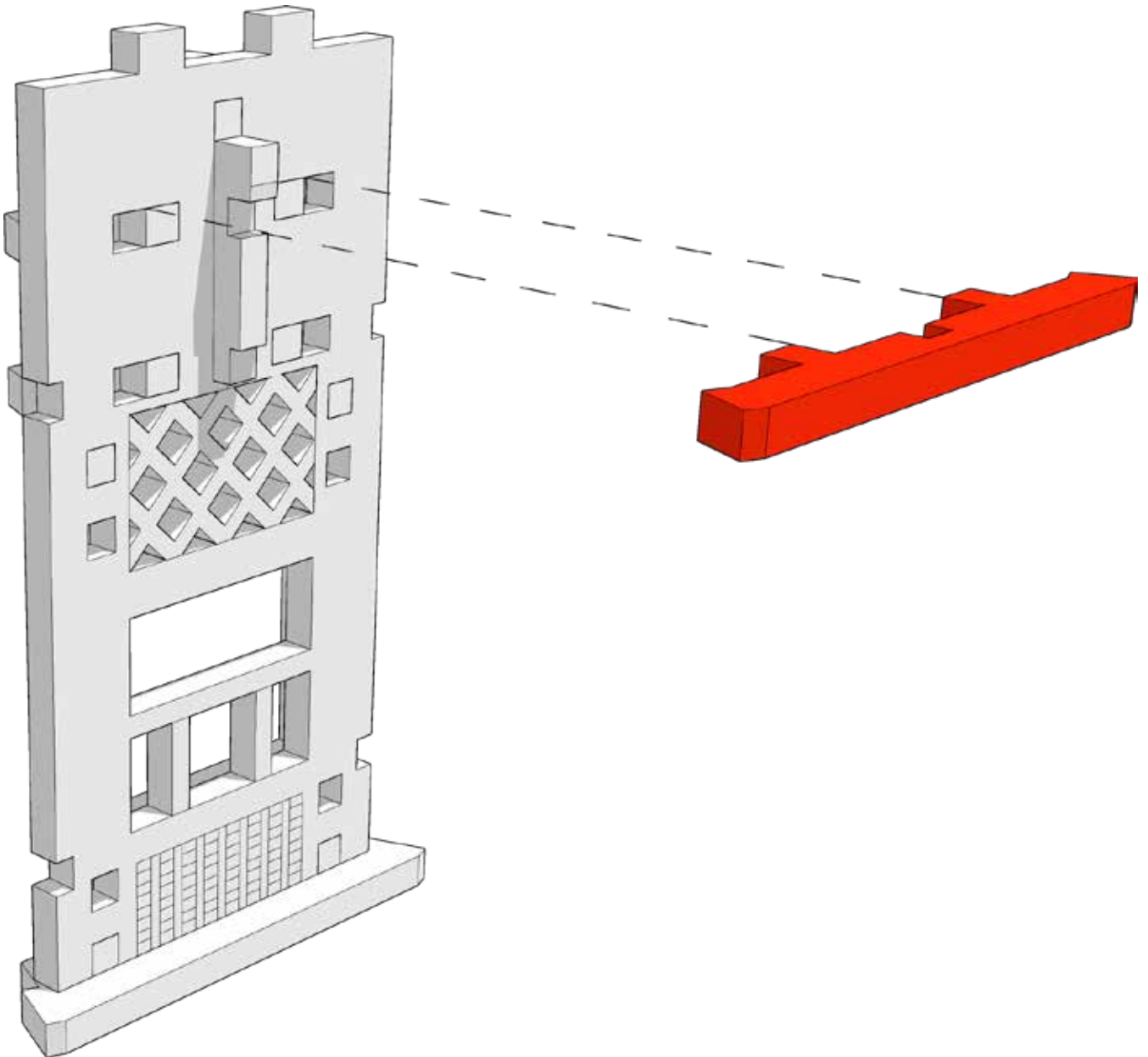




TABLETOP SCENICS

TTSCW-EES-112
Toshi : Hakkei-tō Pagoda
Enclosed Extention

38

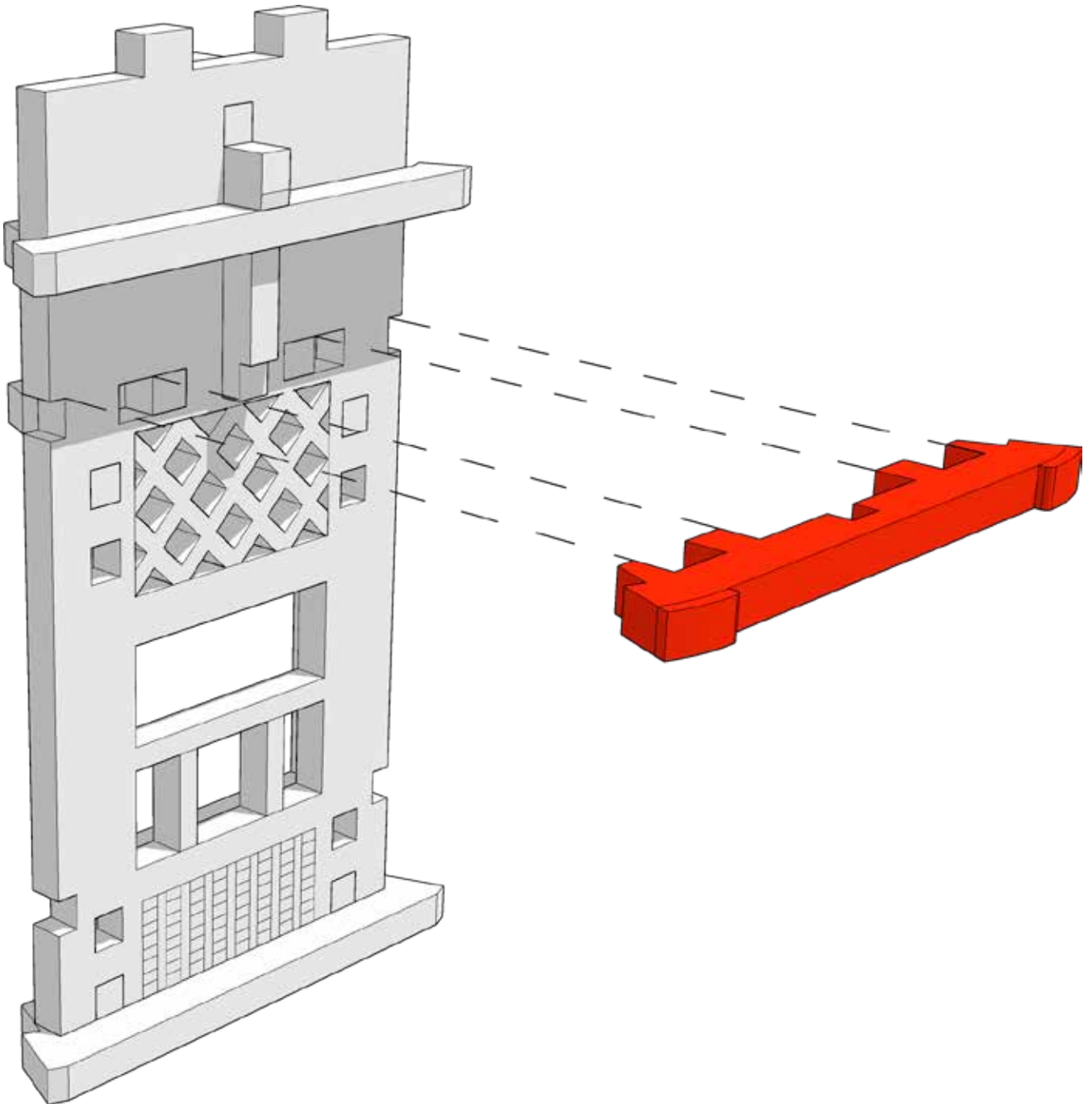




TABLETOP SCENICS

TTSCW-EES-112
Toshi : Hakkei-tō Pagoda
Enclosed Extention

39

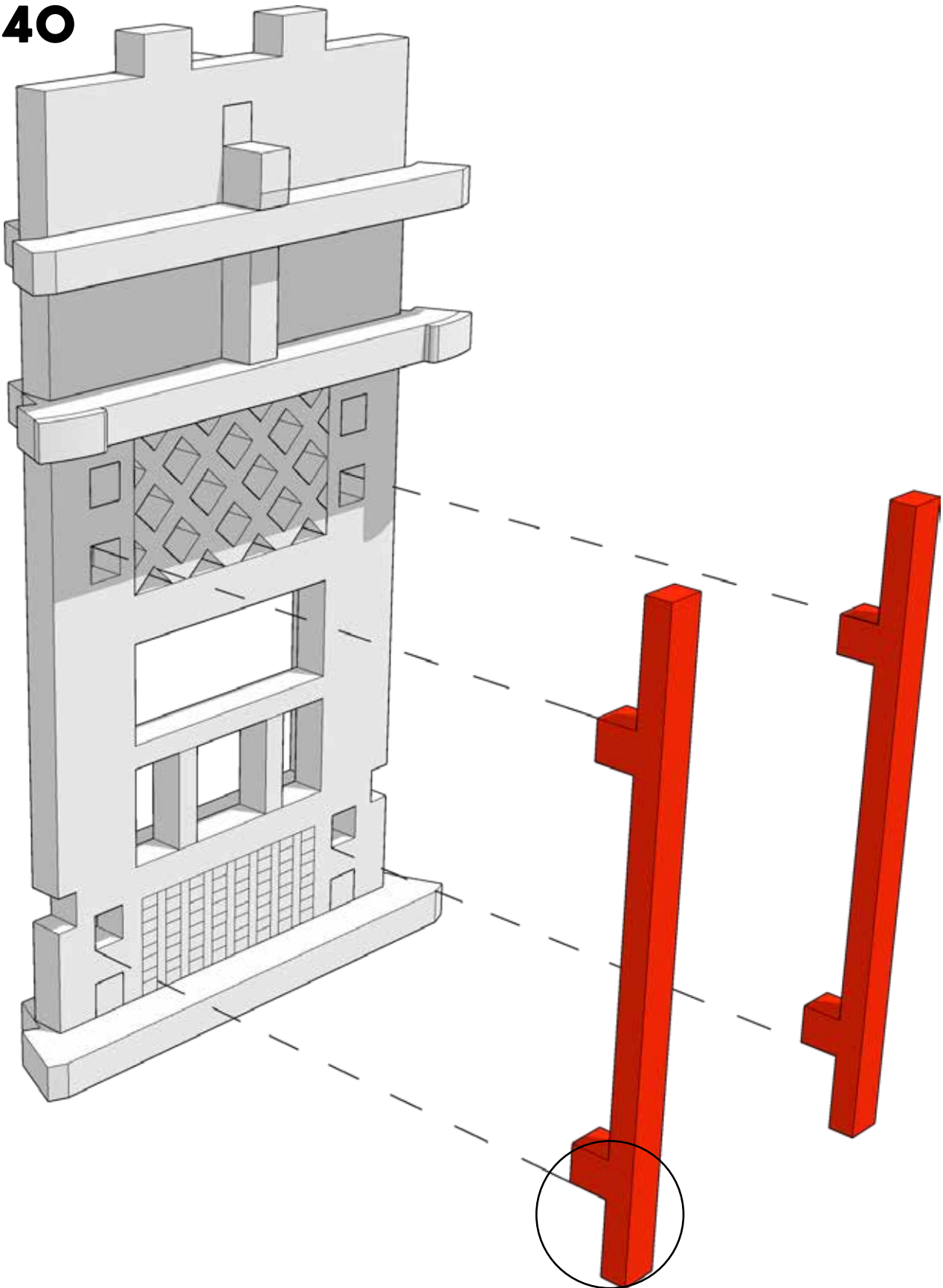




TABLETOP SCENICS

TTSCW-EES-112
Toshi : Hakkei-tō Pagoda
Enclosed Extension

40



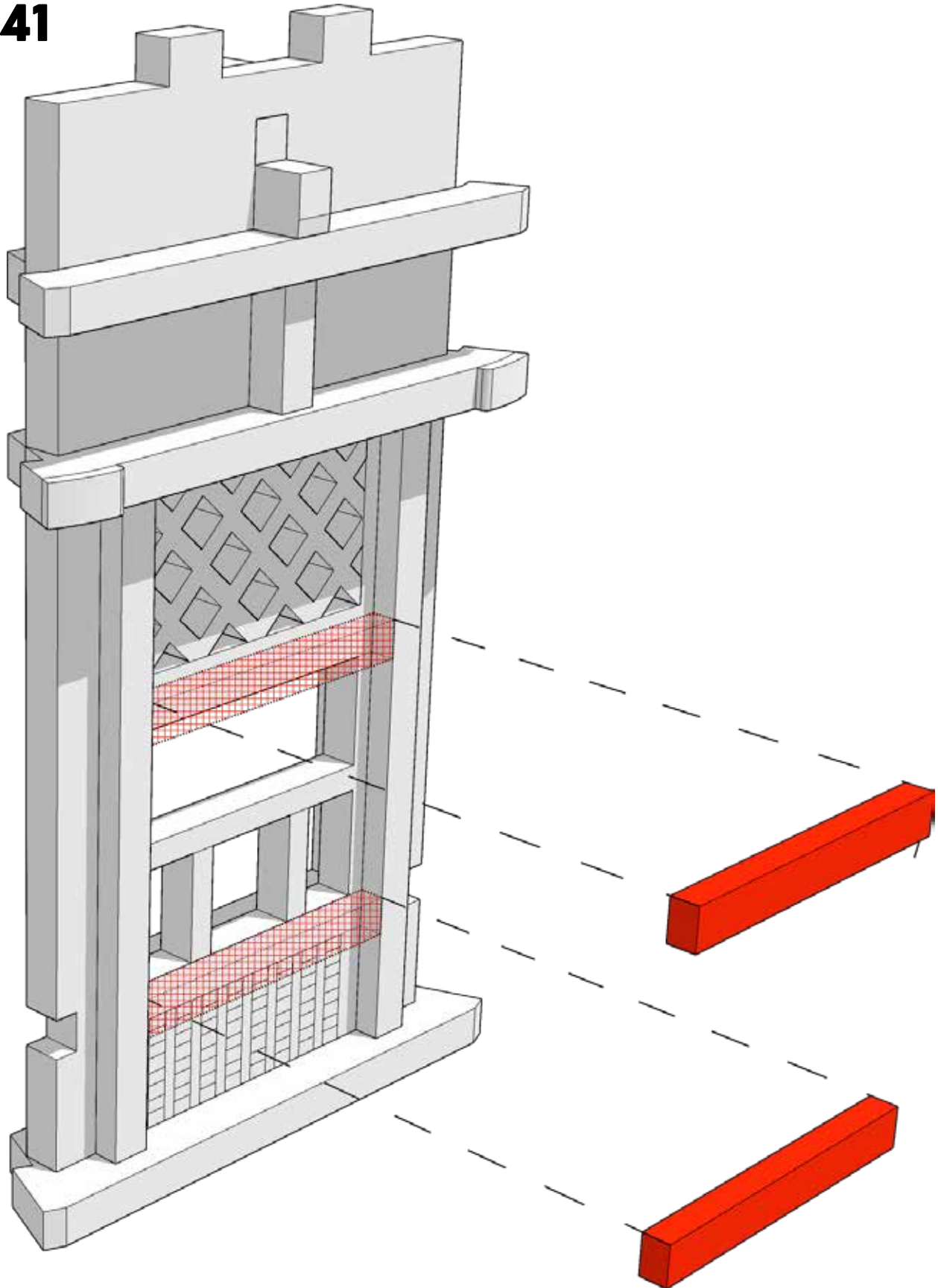
Highlighted parts are shorter at the bottom



TABLETOP SCENICS

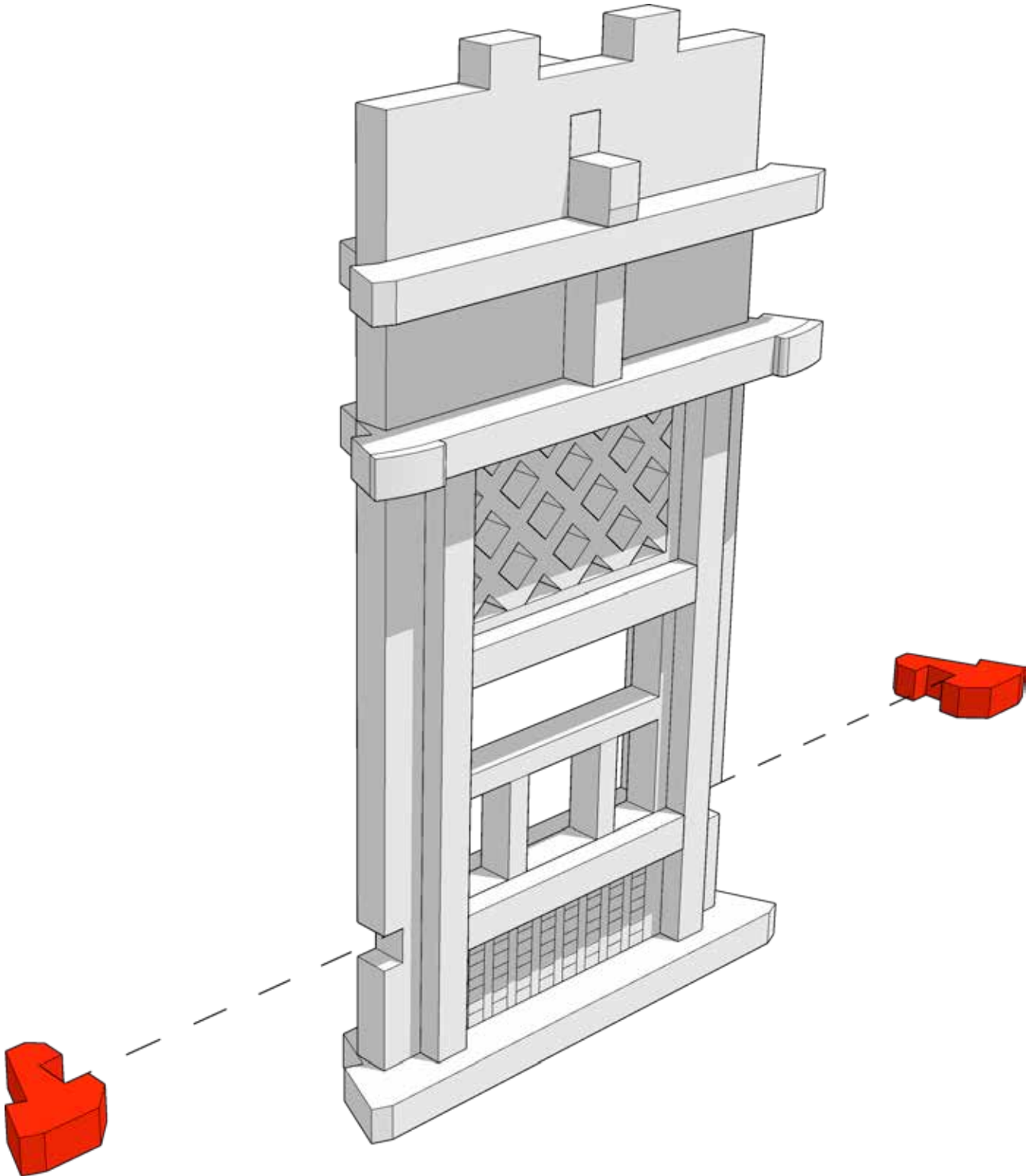
TTSCW-EES-112
Toshi : Hakkei-tō Pagoda
Enclosed Extention

41





42



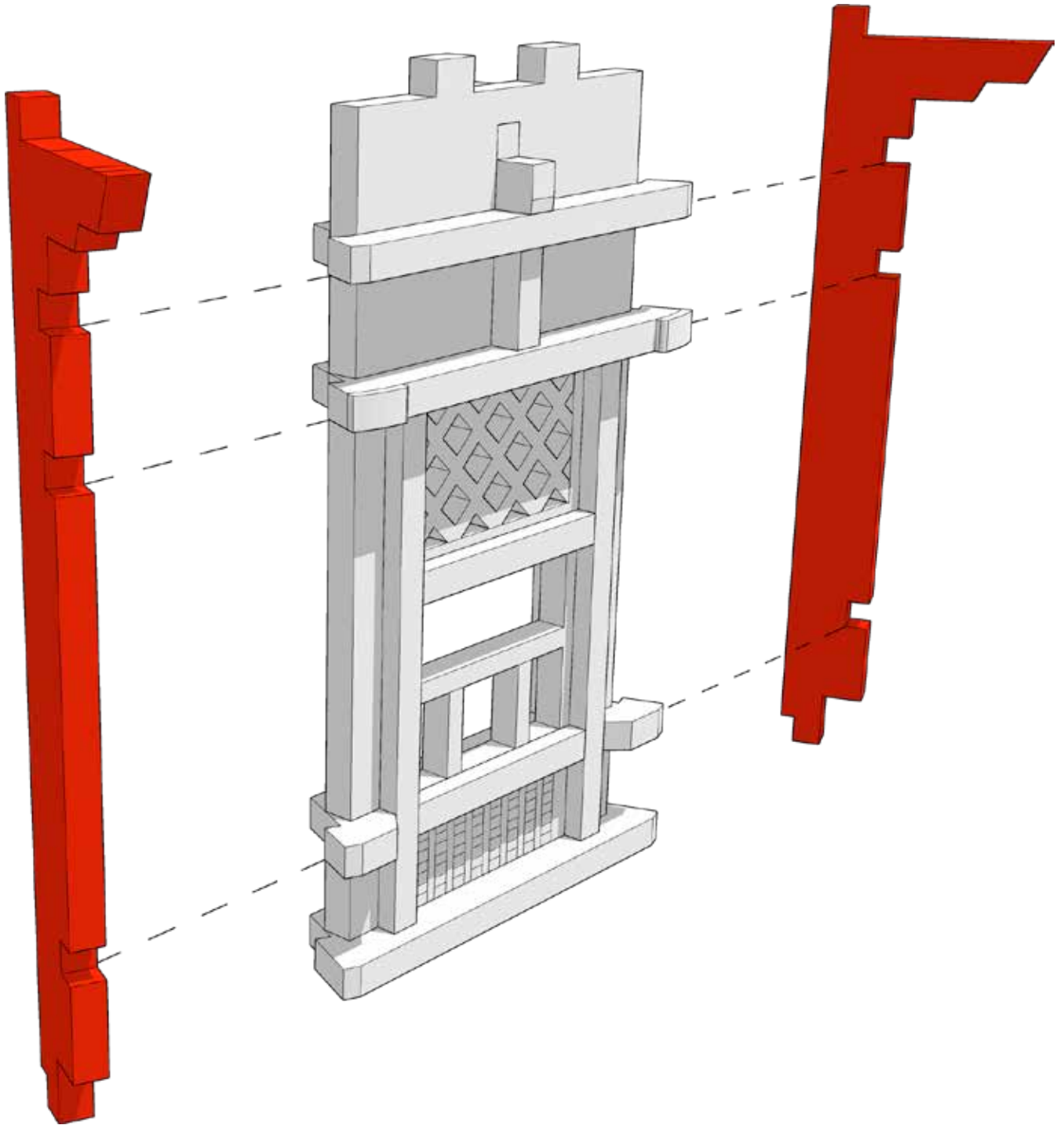
There are similar parts. The red highlighted one is required for the step shown on this page. Found on Sheet 16 of the sprues



TABLETOP SCENICS

TTSCW-EES-112
Toshi : Hakkei-tō Pagoda
Enclosed Extention

43

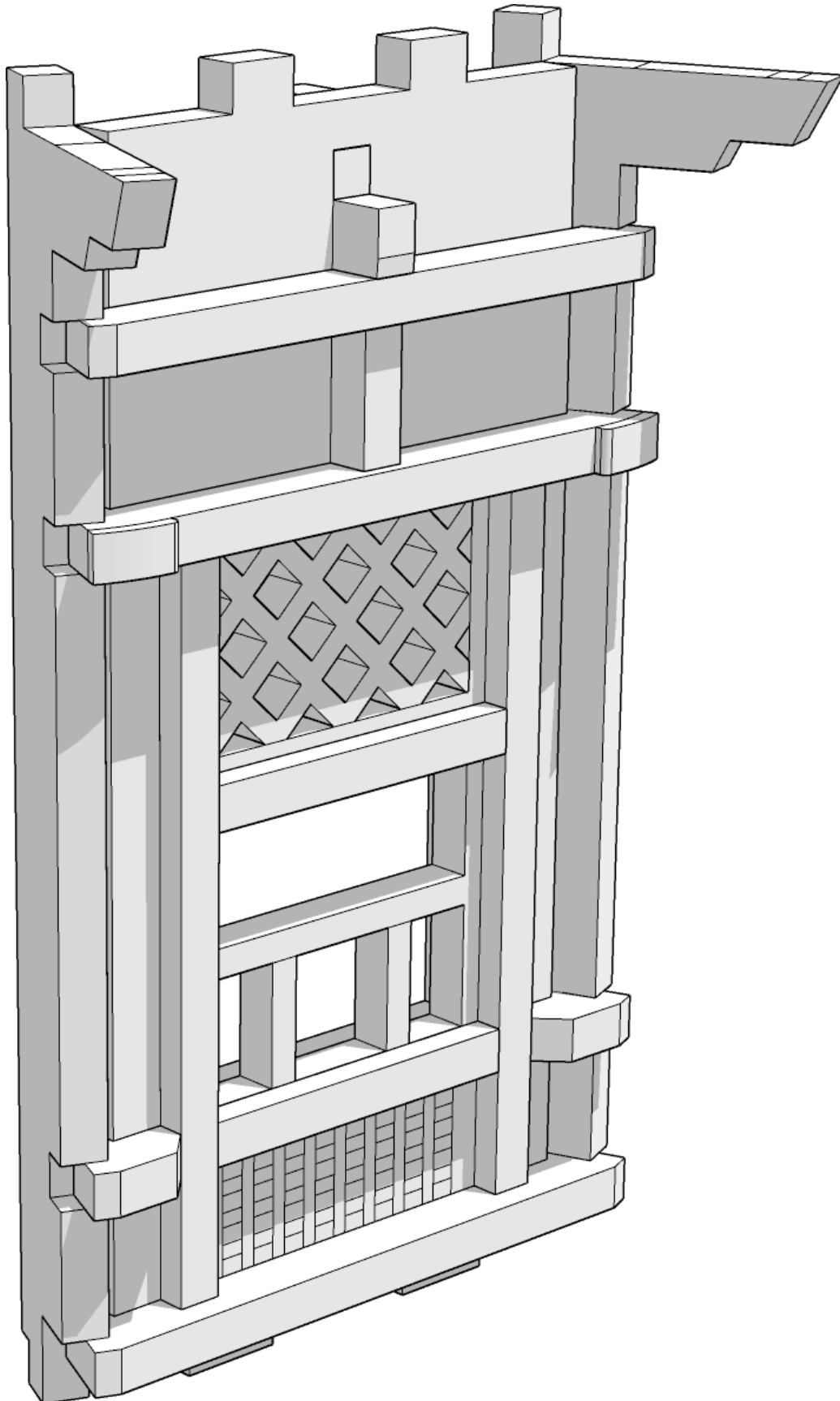




TABLETOP SCENICS

TTSCW-EES-112
Toshi : Hakkei-tō Pagoda
Enclosed Extention

44

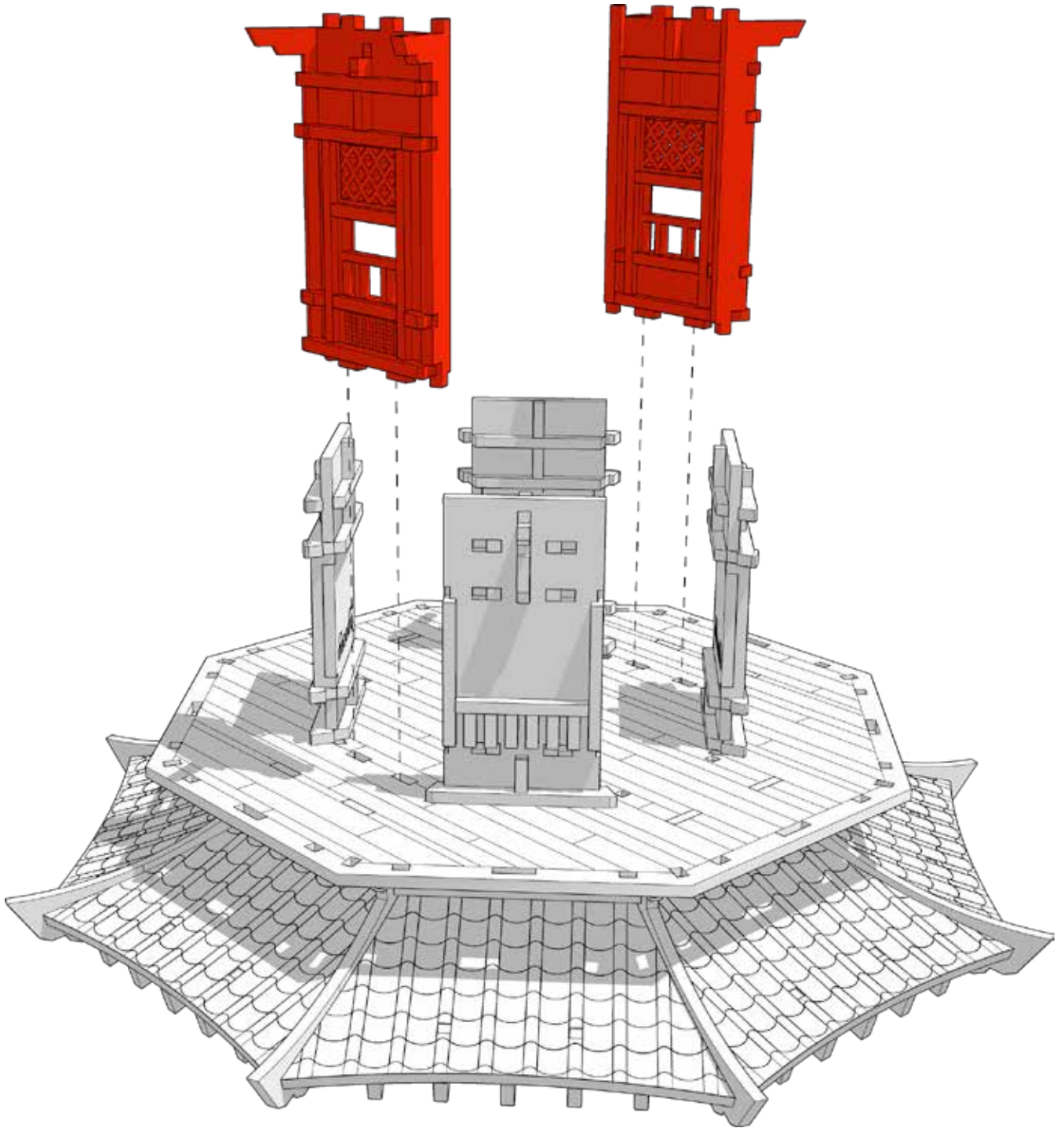




TABLETOP SCENICS

TTSCW-EES-112
Toshi : Hakkei-tō Pagoda
Enclosed Extention

45

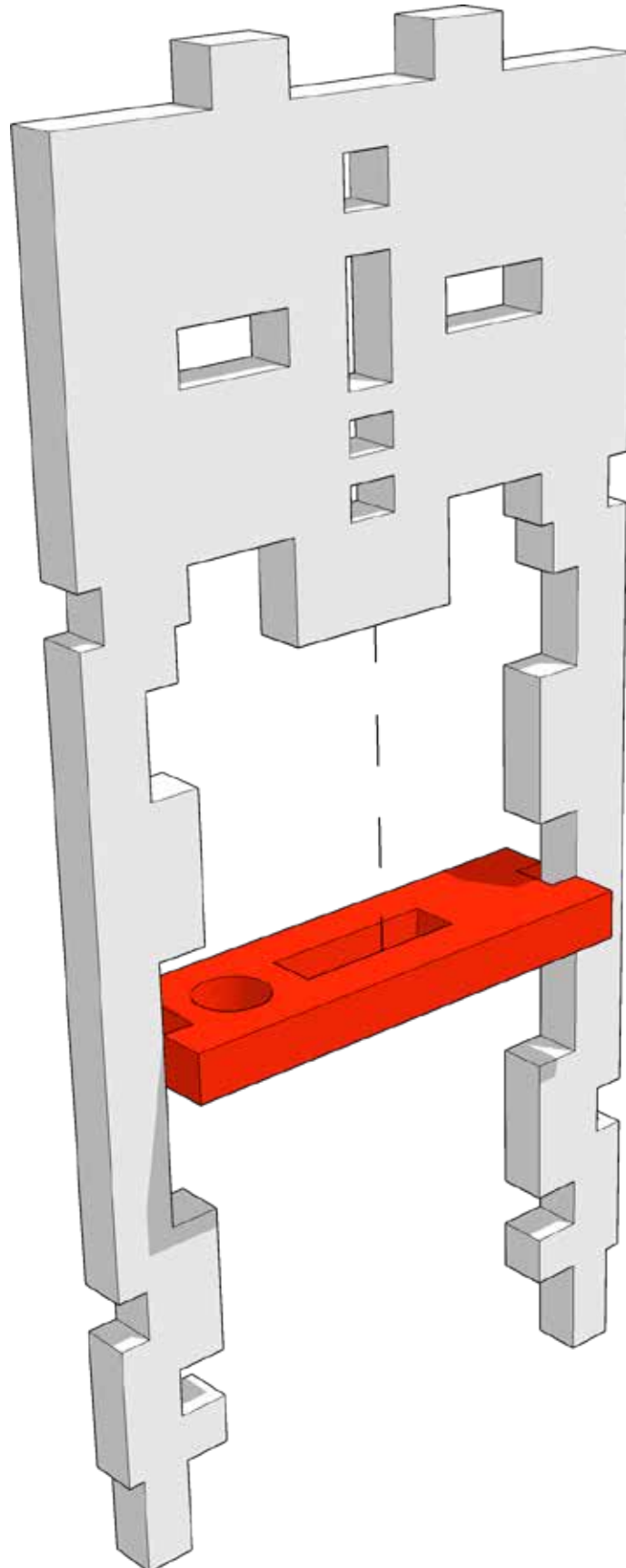




TABLETOP SCENICS

TTSCW-EES-112
Toshi : Hakkei-tō Pagoda
Enclosed Extention

46

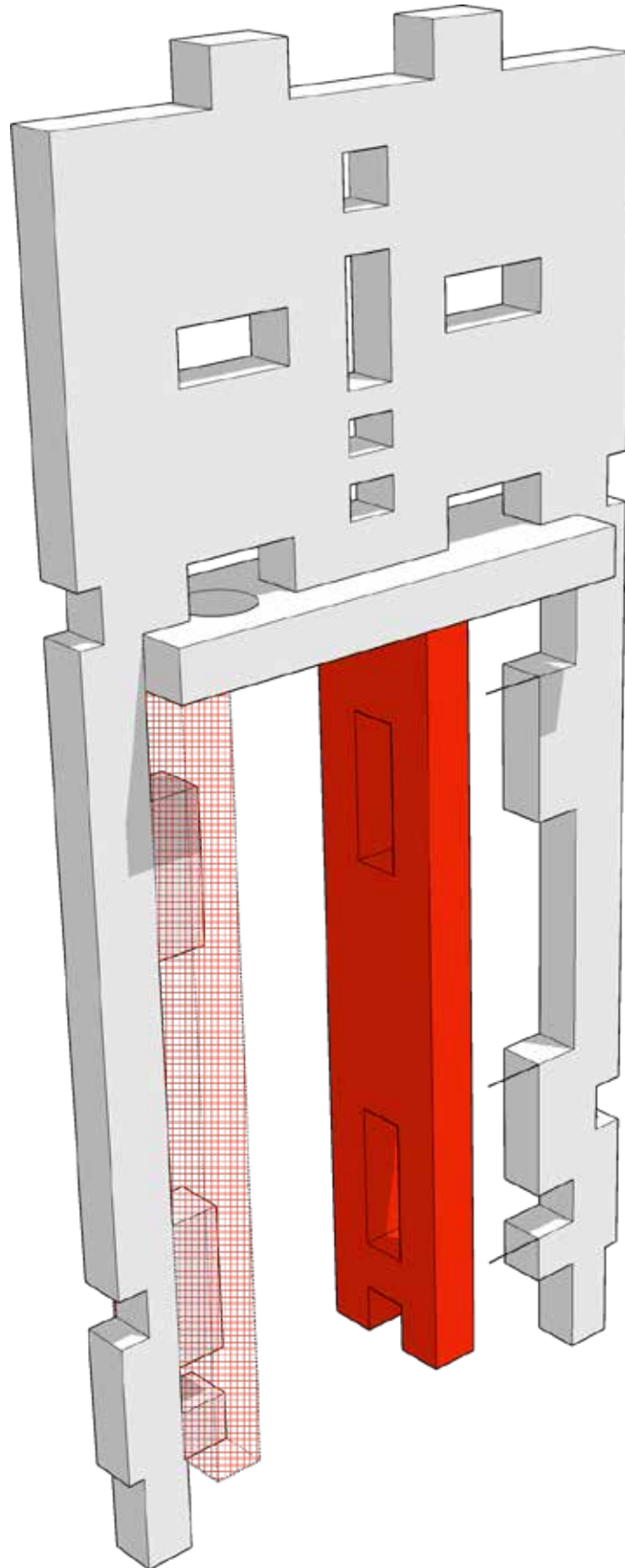




TABLETOP SCENICS

TTSCW-EES-112
Toshi : Hakkei-tō Pagoda
Enclosed Extension

47



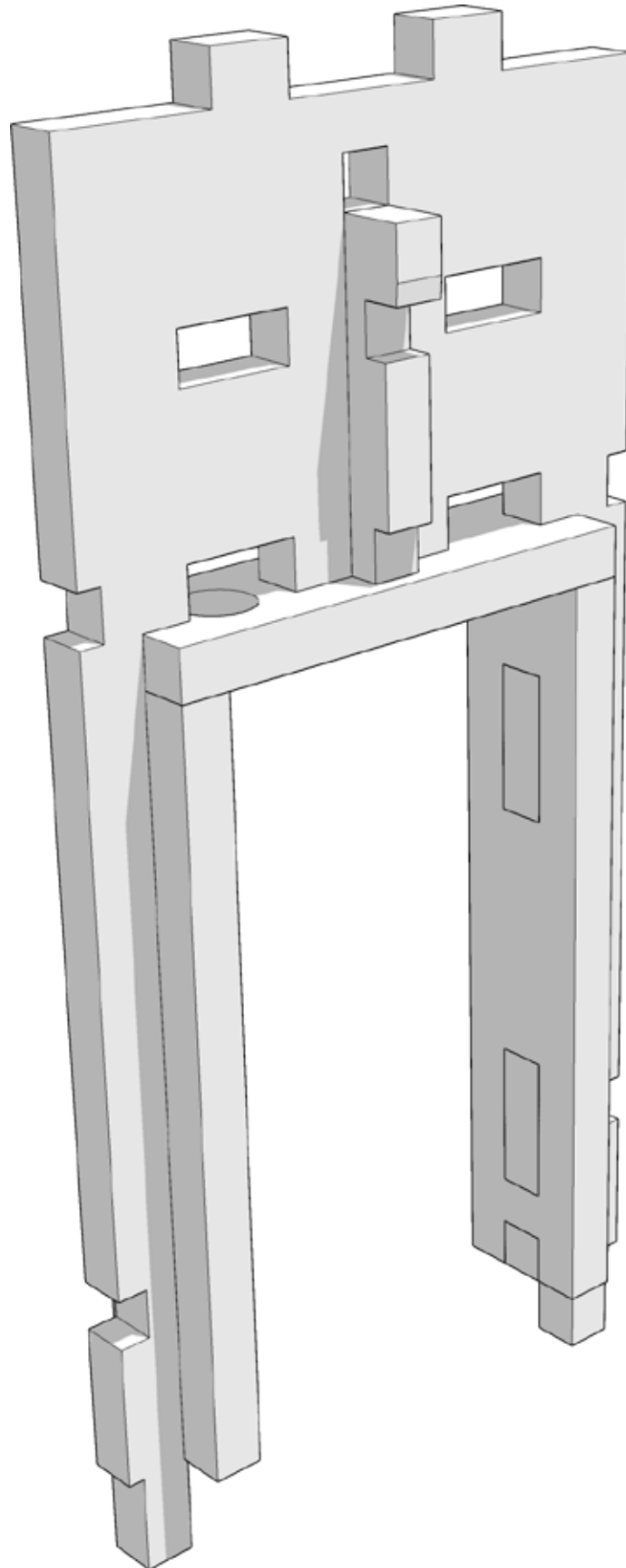
Repeat step for both sides



TABLETOP SCENICS

TTSCW-EES-112
Toshi : Hakkei-tō Pagoda
Enclosed Extention

48

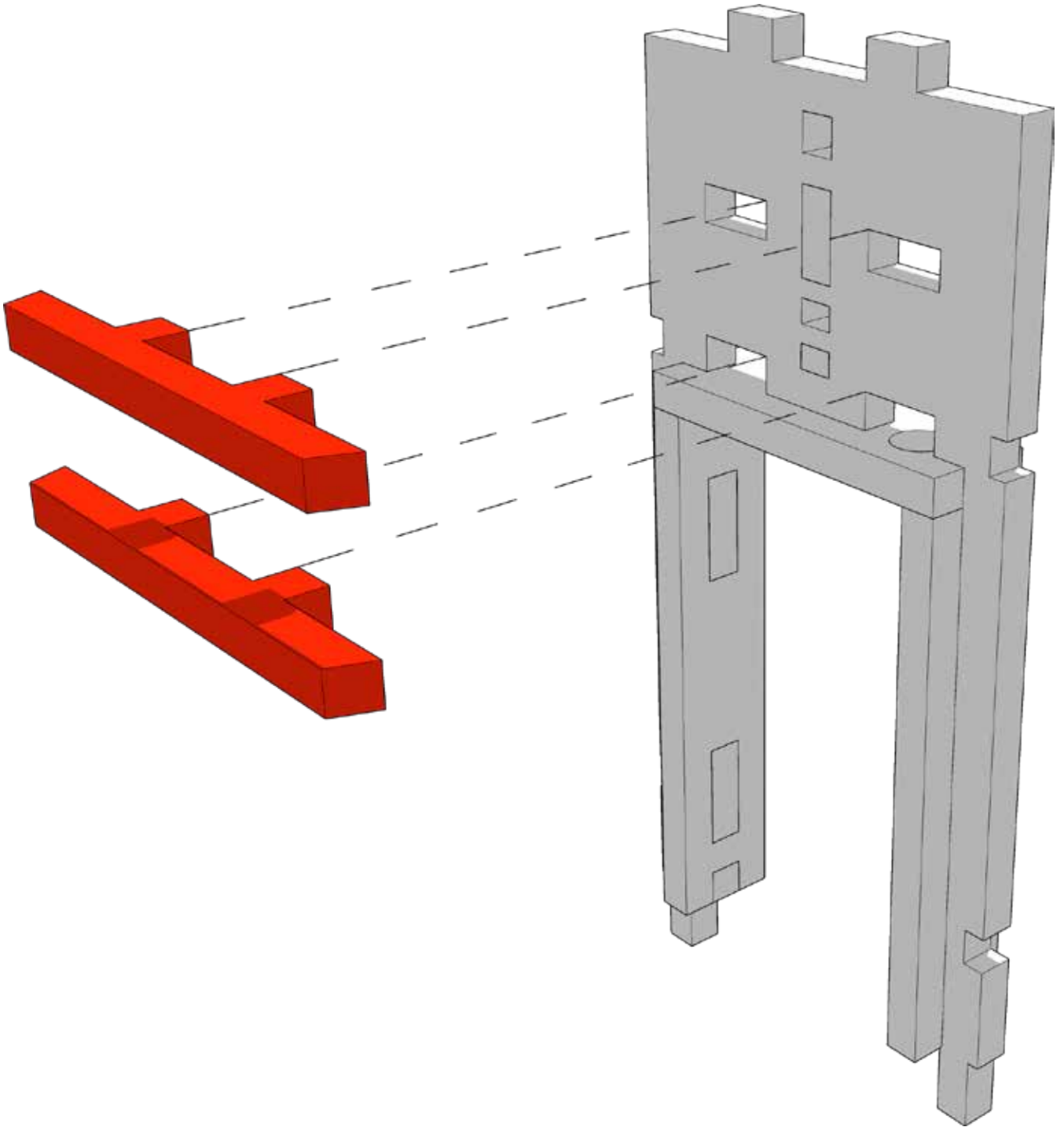




TABLETOP SCENICS

TTSCW-EES-112
Toshi : Hakkei-tō Pagoda
Enclosed Extention

49

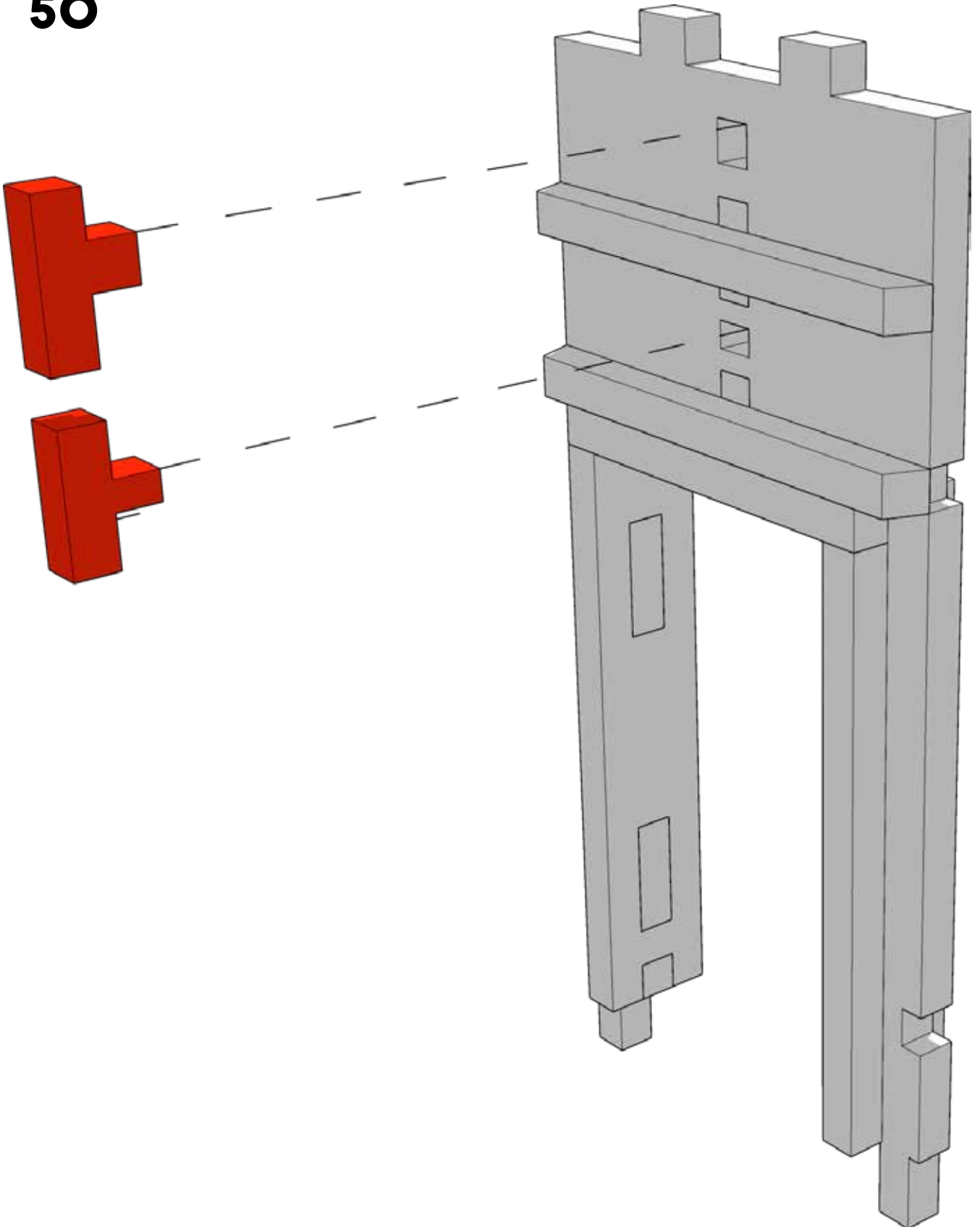




TABLETOP SCENICS

TTSCW-EES-112
Toshi : Hakkei-tō Pagoda
Enclosed Extention

50

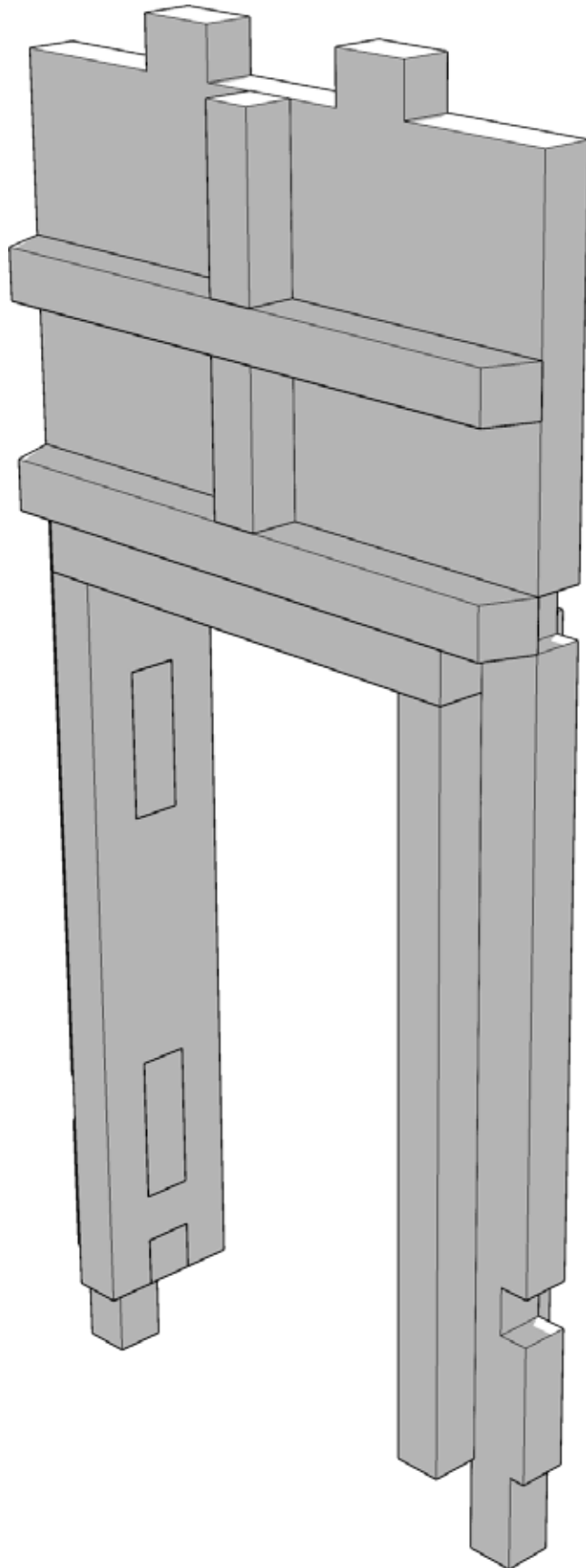




TABLETOP SCENICS

TTSCW-EES-112
Toshi : Hakkei-tō Pagoda
Enclosed Extention

51

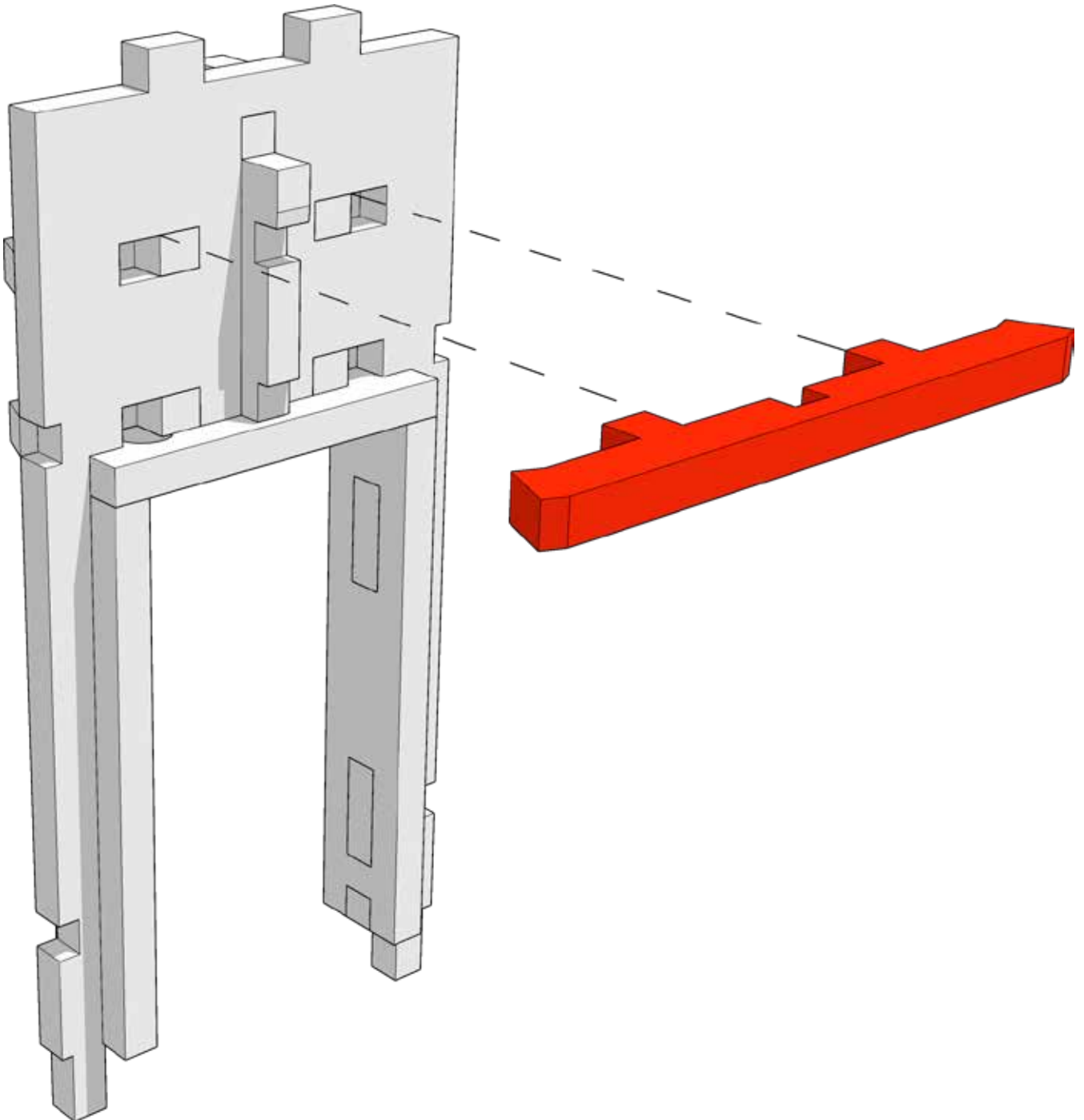




TABLETOP SCENICS

TTSCW-EES-112
Toshi : Hakkei-tō Pagoda
Enclosed Extention

52

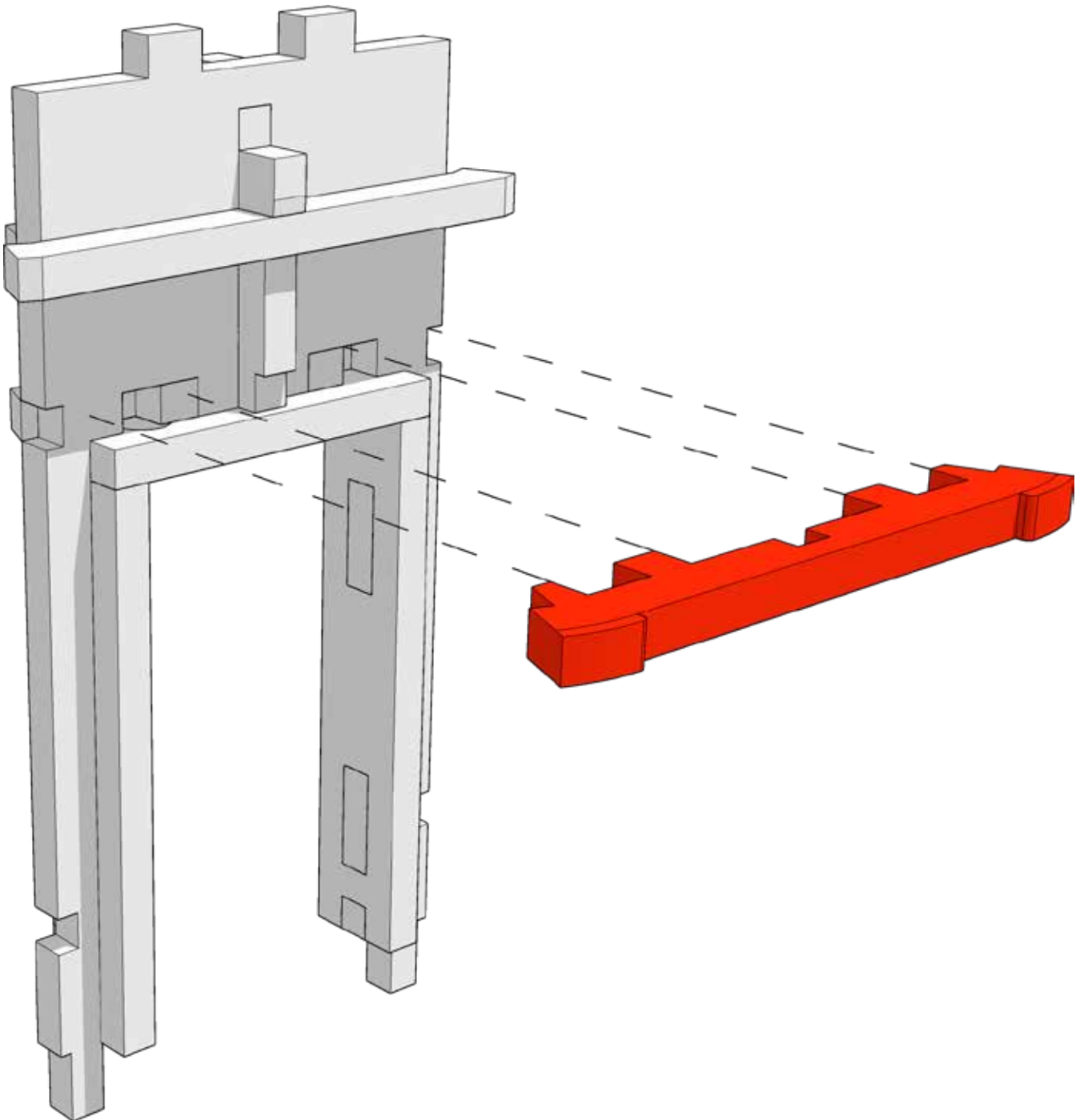




TABLETOP SCENICS

TTSCW-EES-112
Toshi : Hakkei-tō Pagoda
Enclosed Extention

53

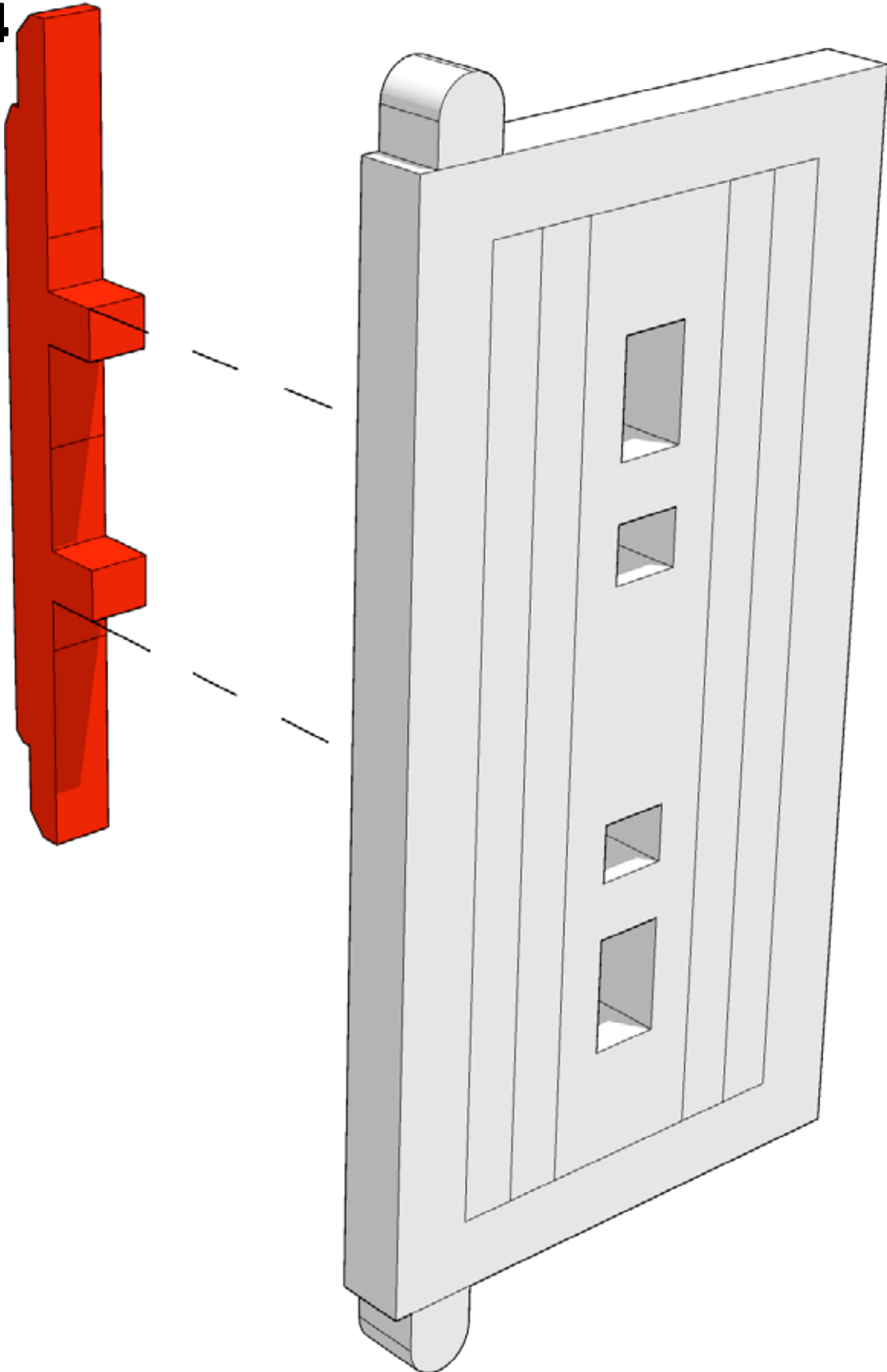




TABLETOP SCENICS

TTSCW-EES-112
Toshi : Hakkei-tō Pagoda
Enclosed Extension

54

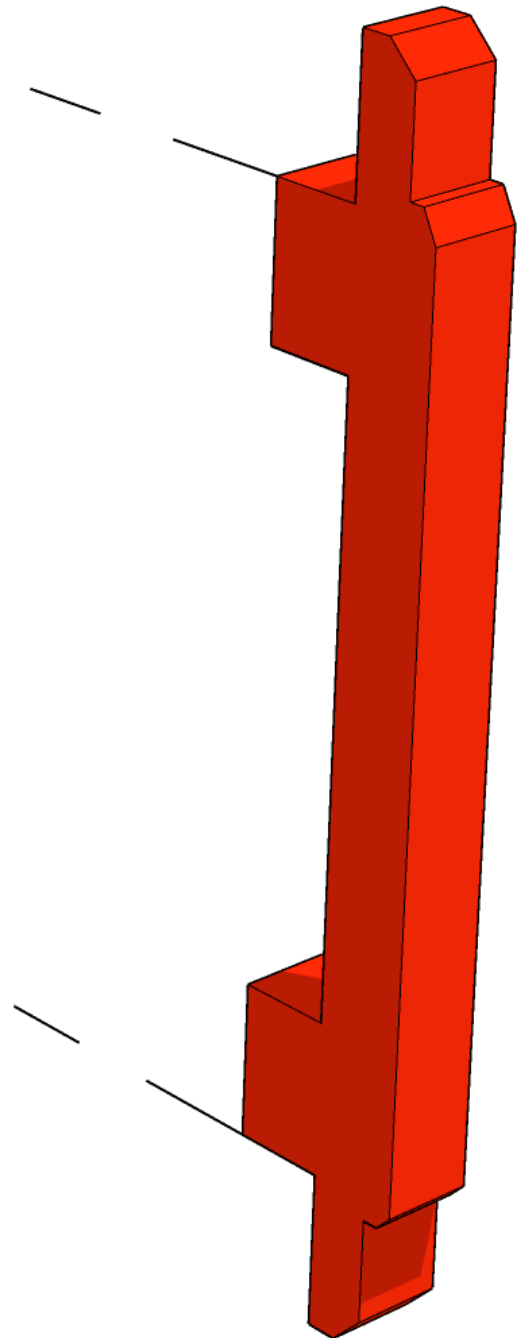
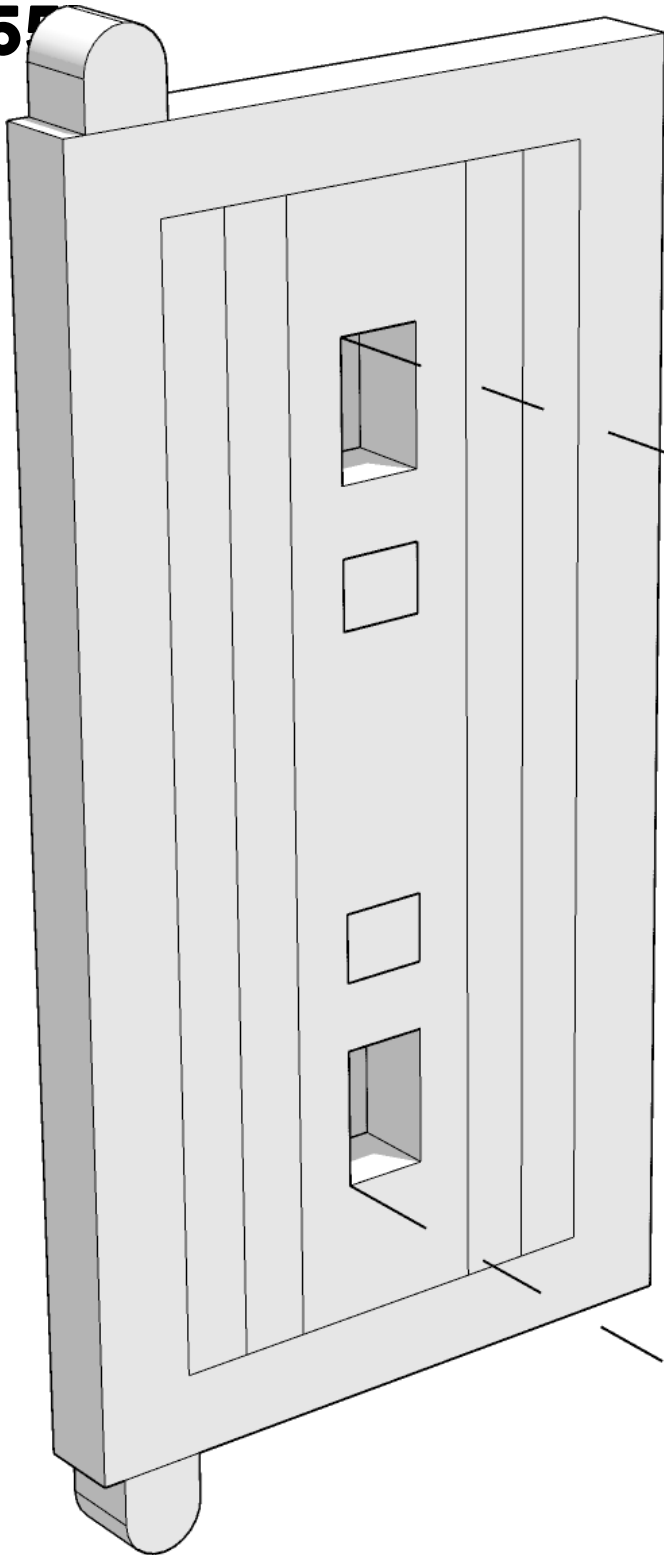




TABLETOP SCENICS

TTSCW-EES-112
Toshi : Hakkei-tō Pagoda
Enclosed Extention

5

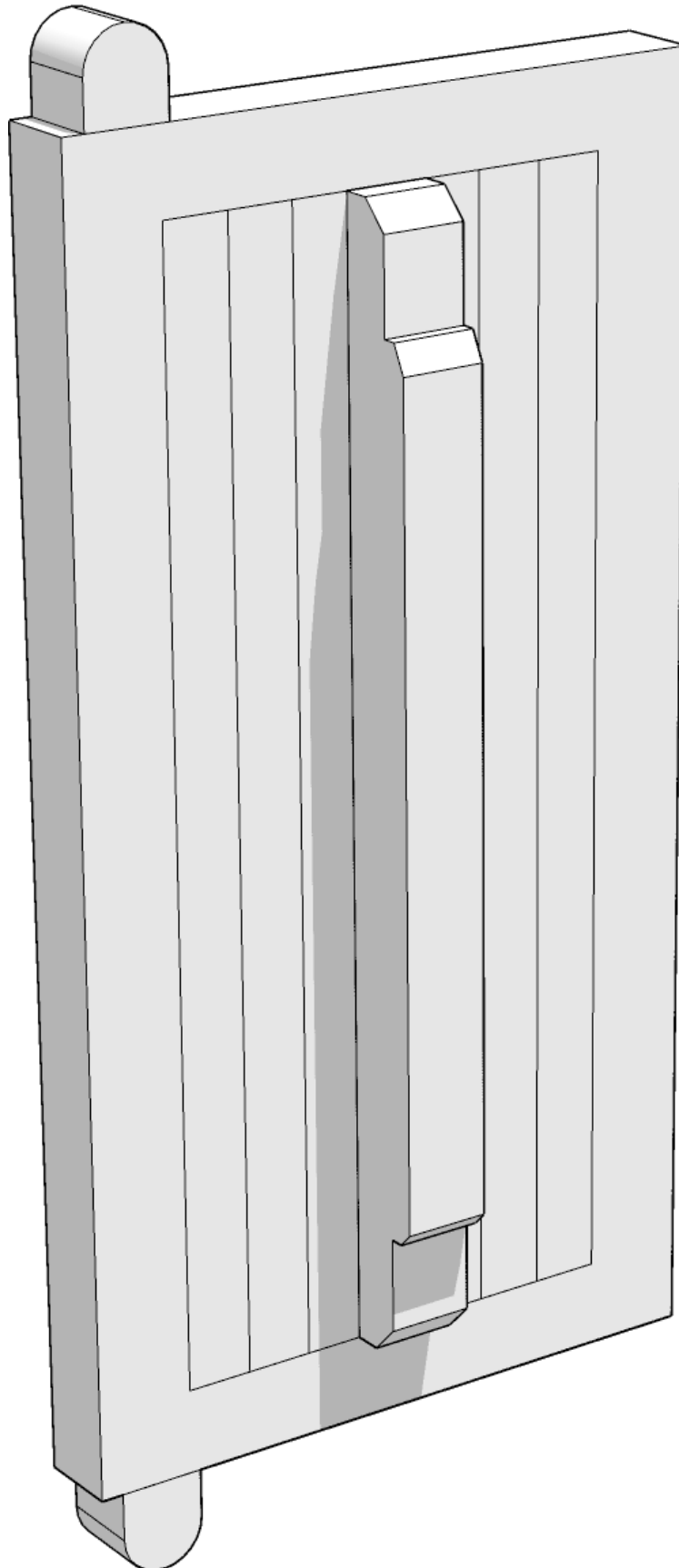




TABLETOP SCENICS

TTSCW-EES-112
Toshi : Hakkei-tō Pagoda
Enclosed Extention

56

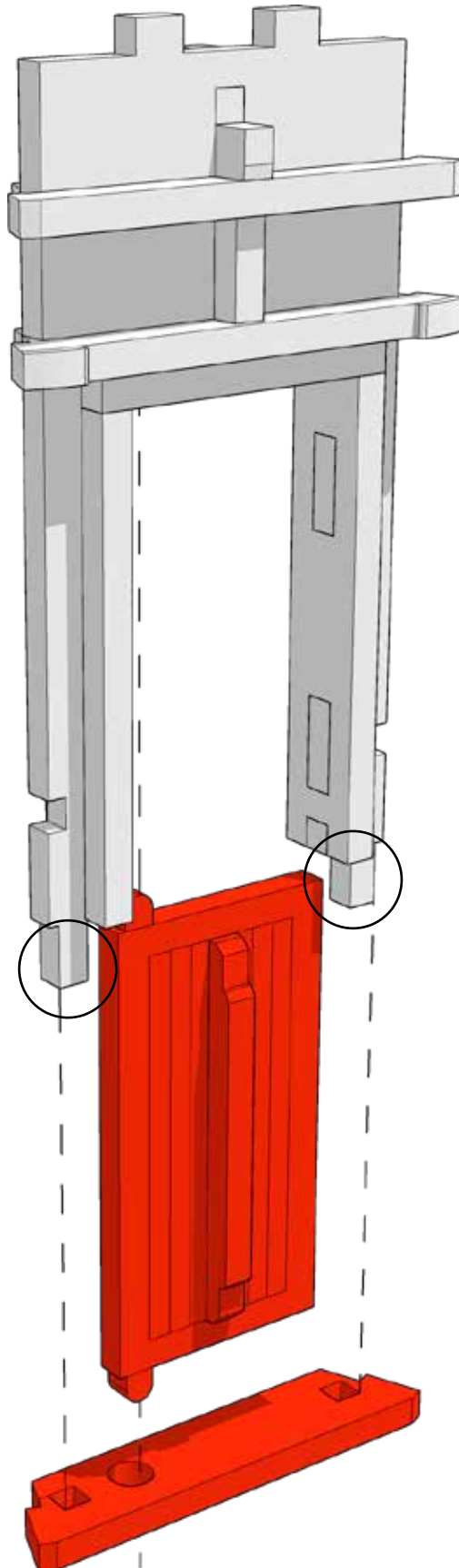




TABLETOP SCENICS

TTSCW-EES-112
Toshi : Hakkei-tō Pagoda
Enclosed Extention

57



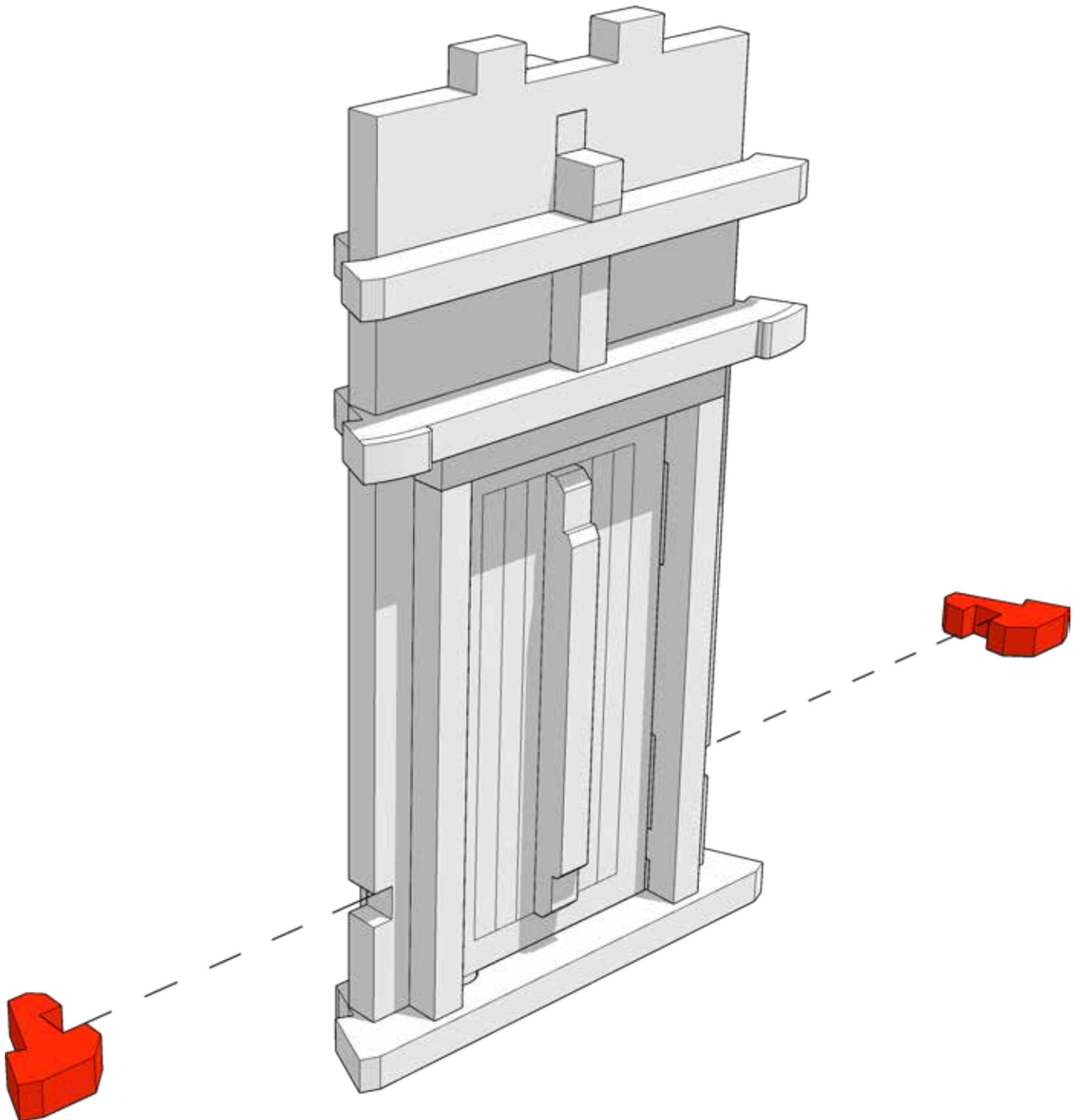
Do not glue the door. Only the square tabs
circled



TABLETOP SCENICS

TTSCW-EES-112
Toshi : Hakkei-tō Pagoda
Enclosed Extention

58



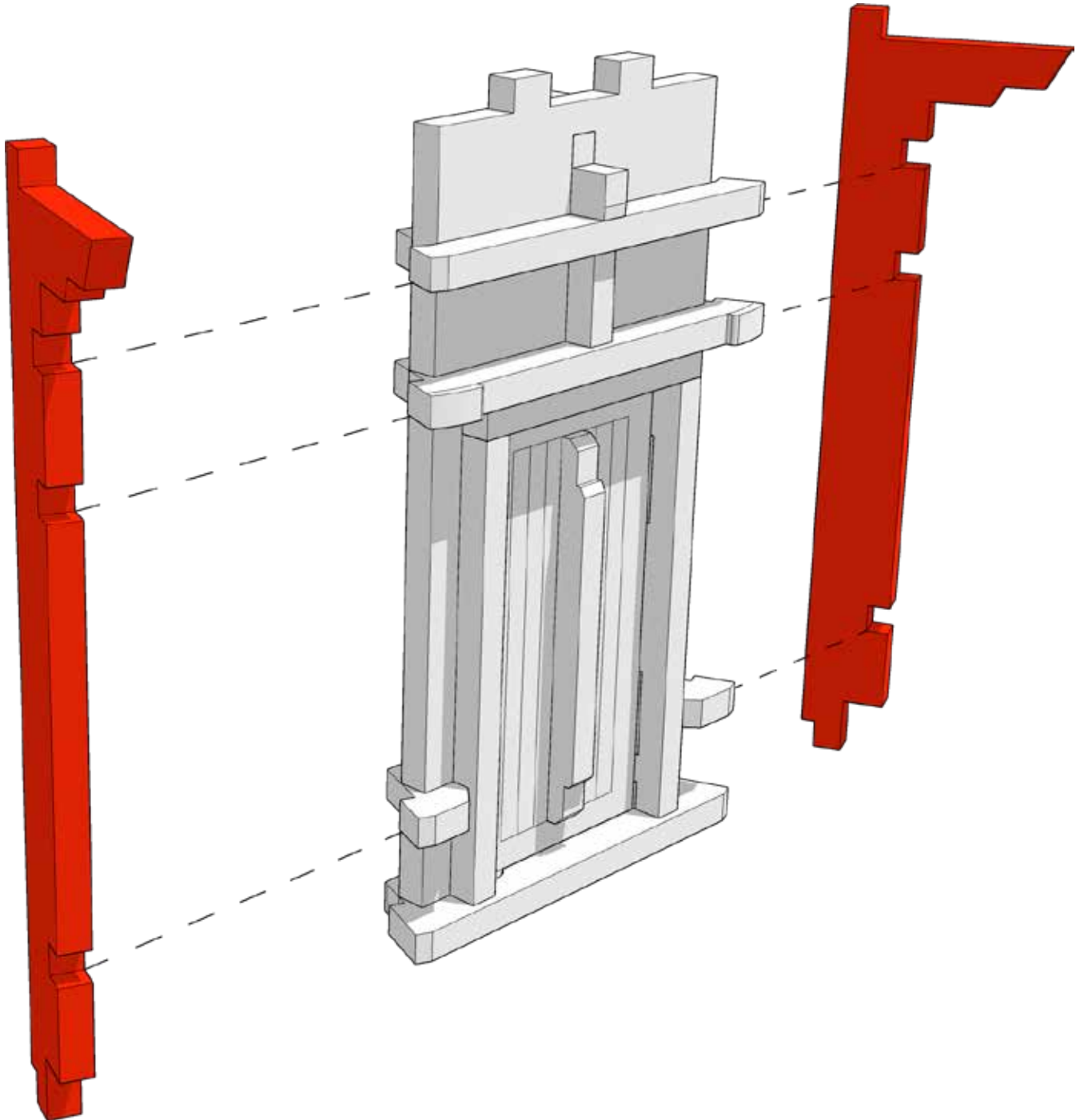
Highlighted parts can be found on
sheet 14



TABLETOP SCENICS

TTSCW-EES-112
Toshi : Hakkei-tō Pagoda
Enclosed Extention

59

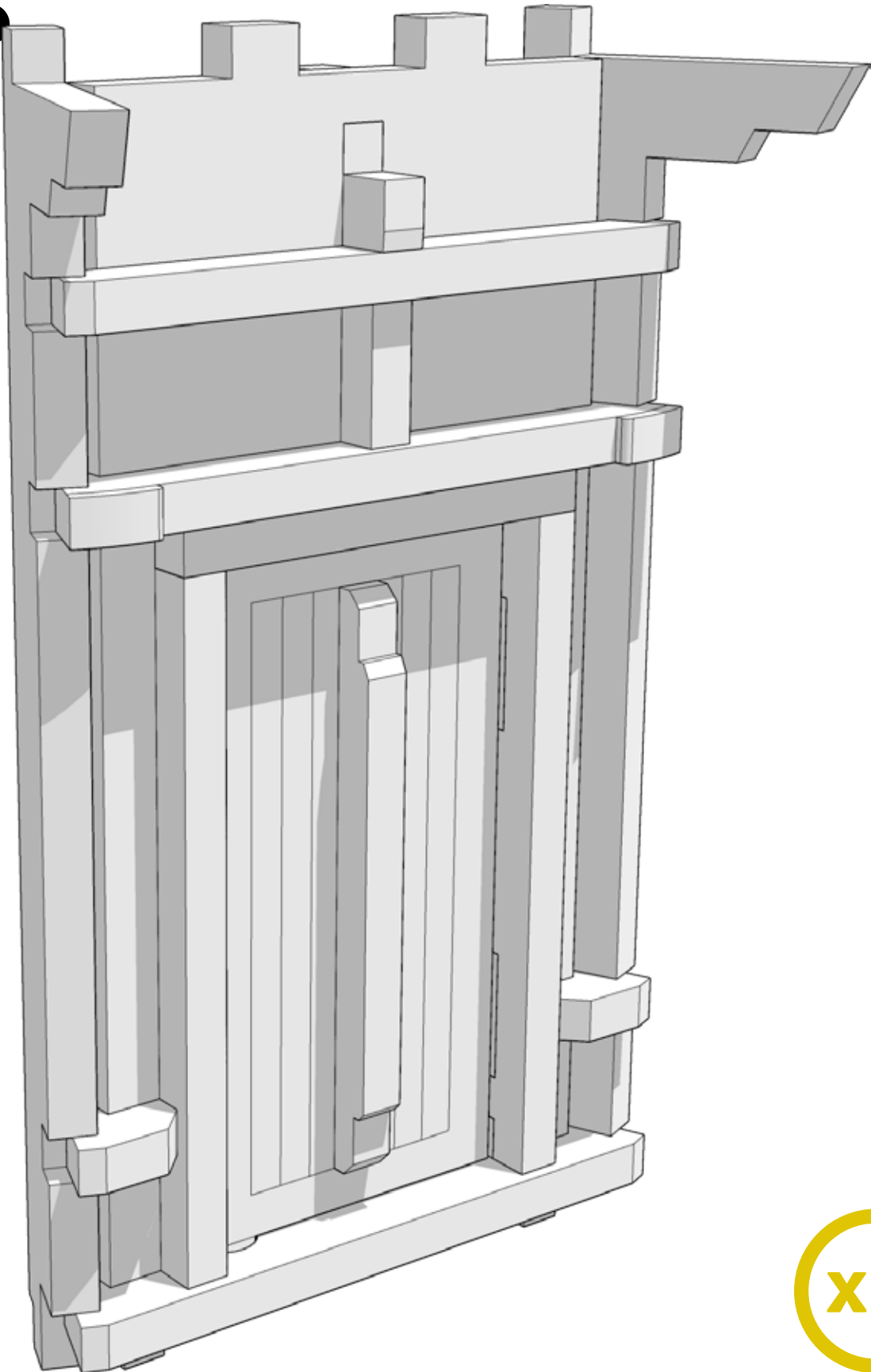




TABLETOP SCENICS

TTSCW-EES-112
Toshi : Hakkei-tō Pagoda
Enclosed Extension

60



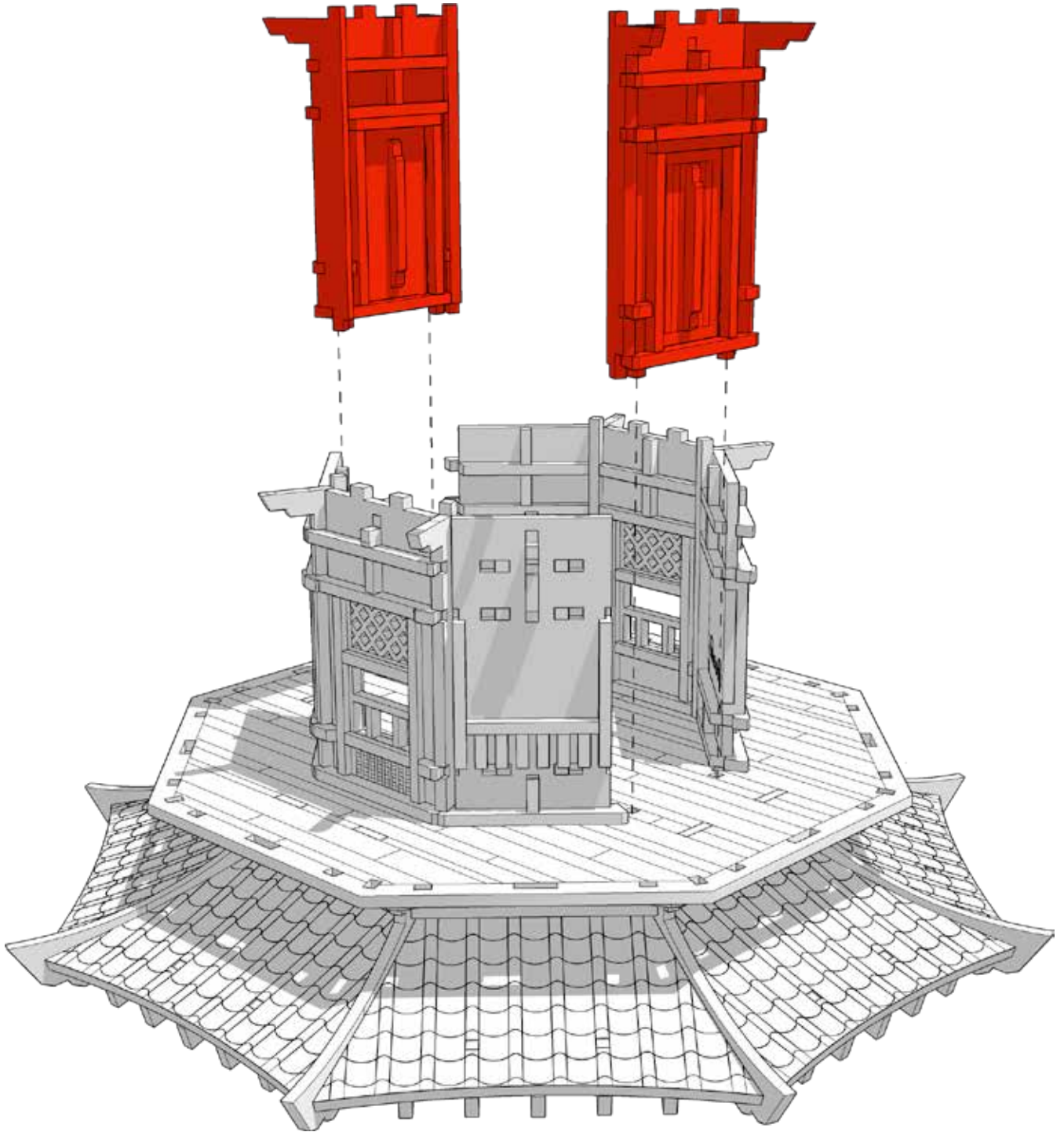
x2



TABLETOP SCENICS

TTSCW-EES-112
Toshi : Hakkei-tō Pagoda
Enclosed Extention

61

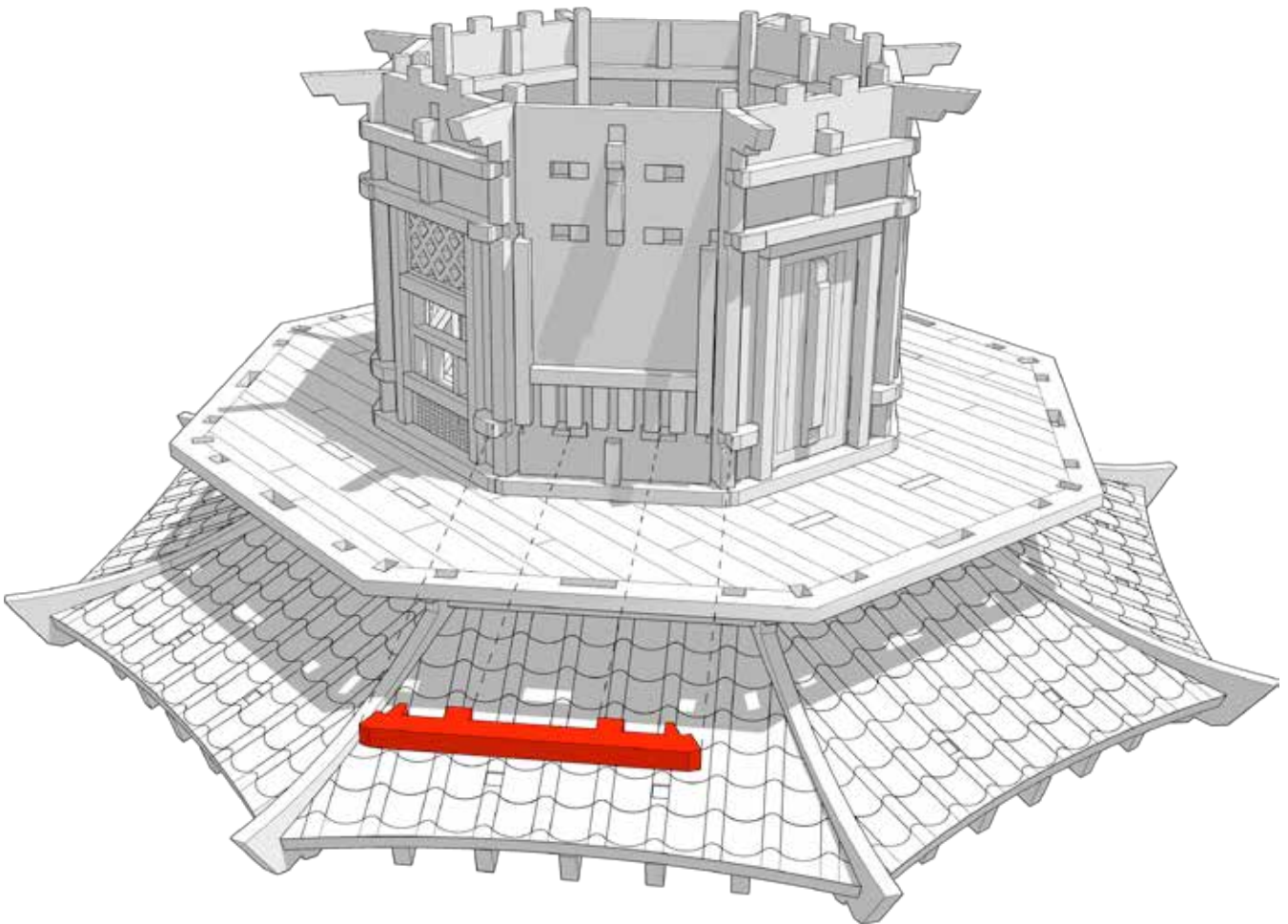




TABLETOP SCENICS

TTSCW-EES-112
Toshi : Hakkei-tō Pagoda
Enclosed Extention

62



Repeat step for the 3 other same walls. It should align with the edges of the other walls to lock together

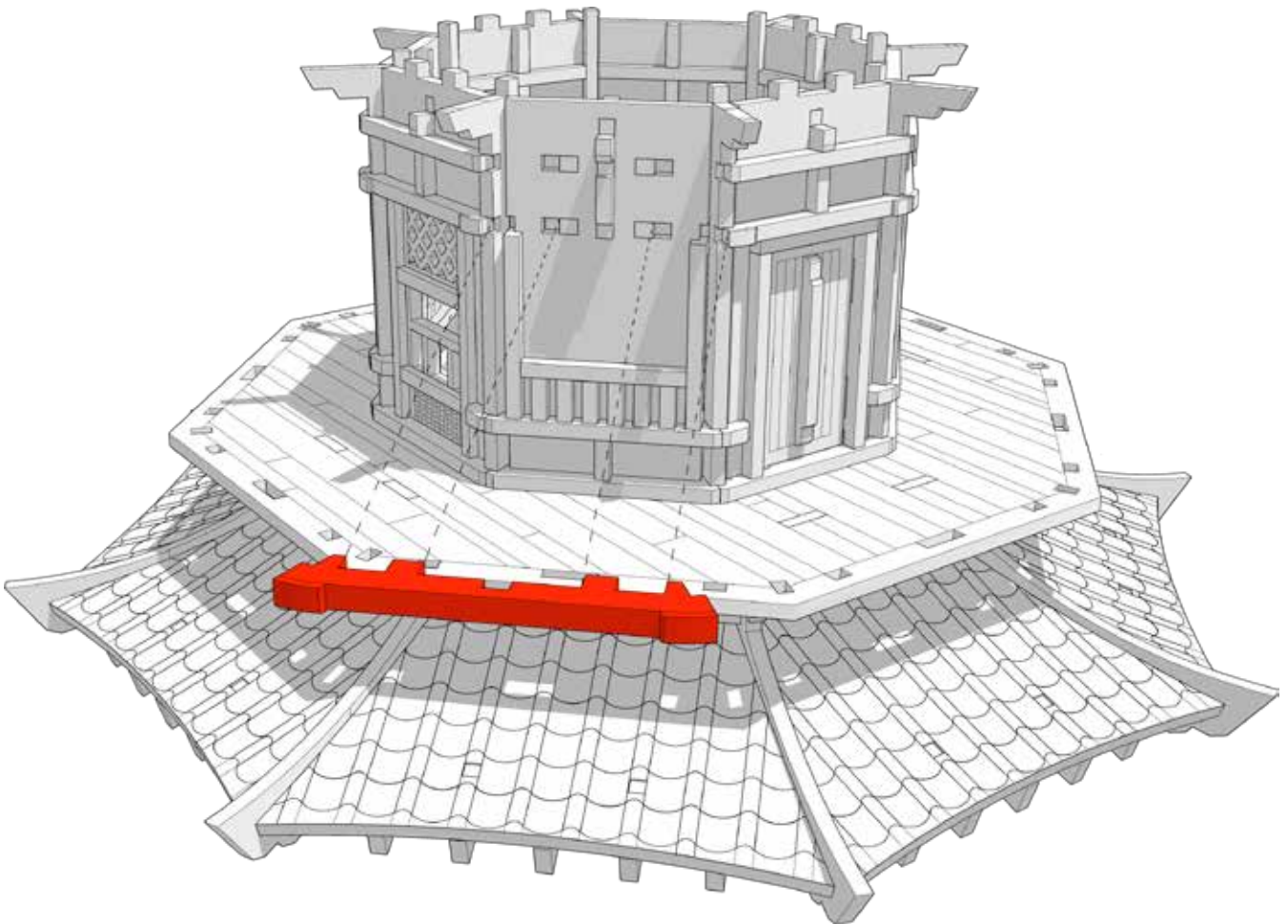




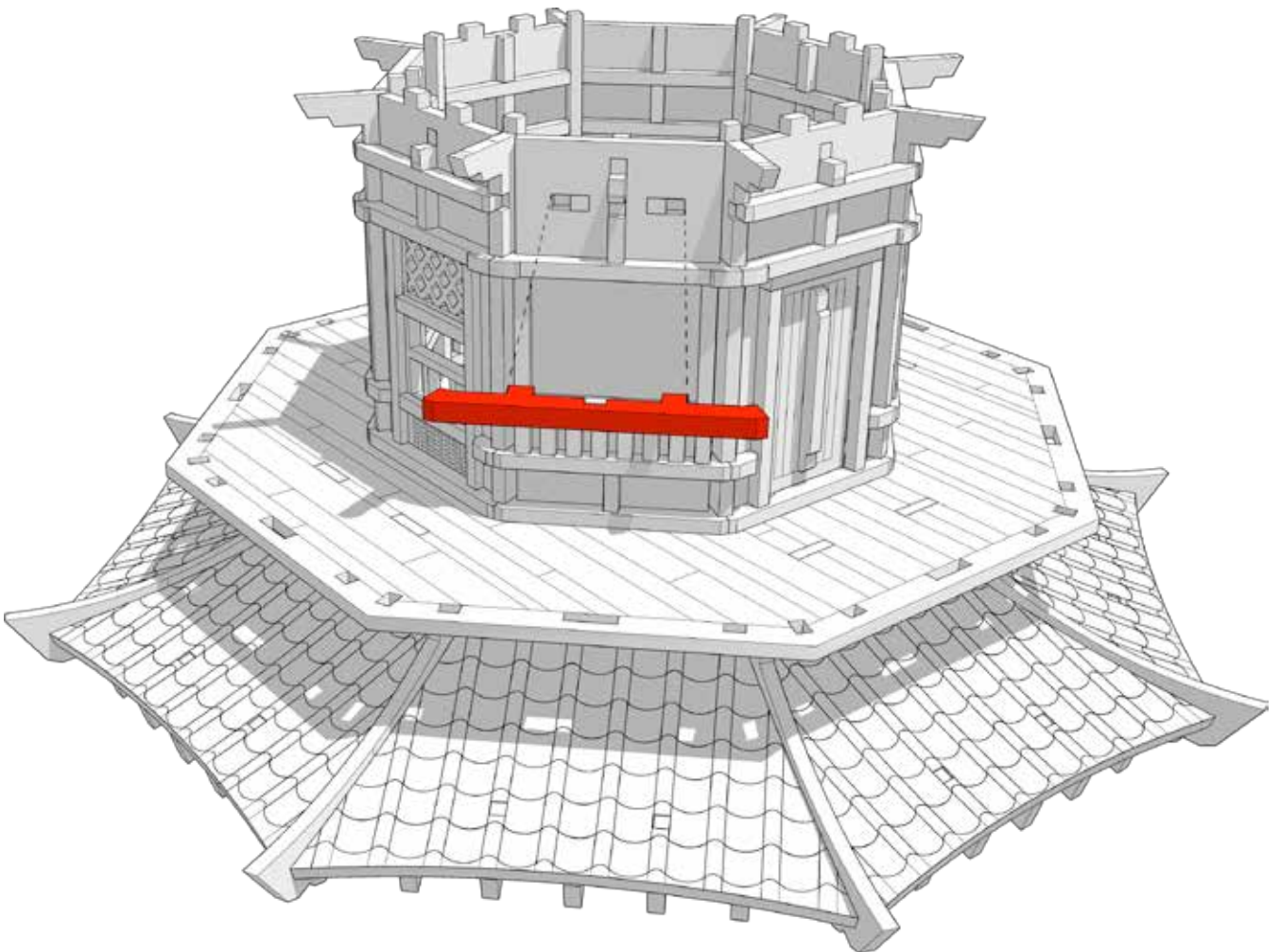
TABLETOP SCENICS

TTSCW-EES-112
Toshi : Hakkei-tō Pagoda
Enclosed Extention

63



Repeat step for the 3 other same walls. It should align with the edges of the other walls to lock together



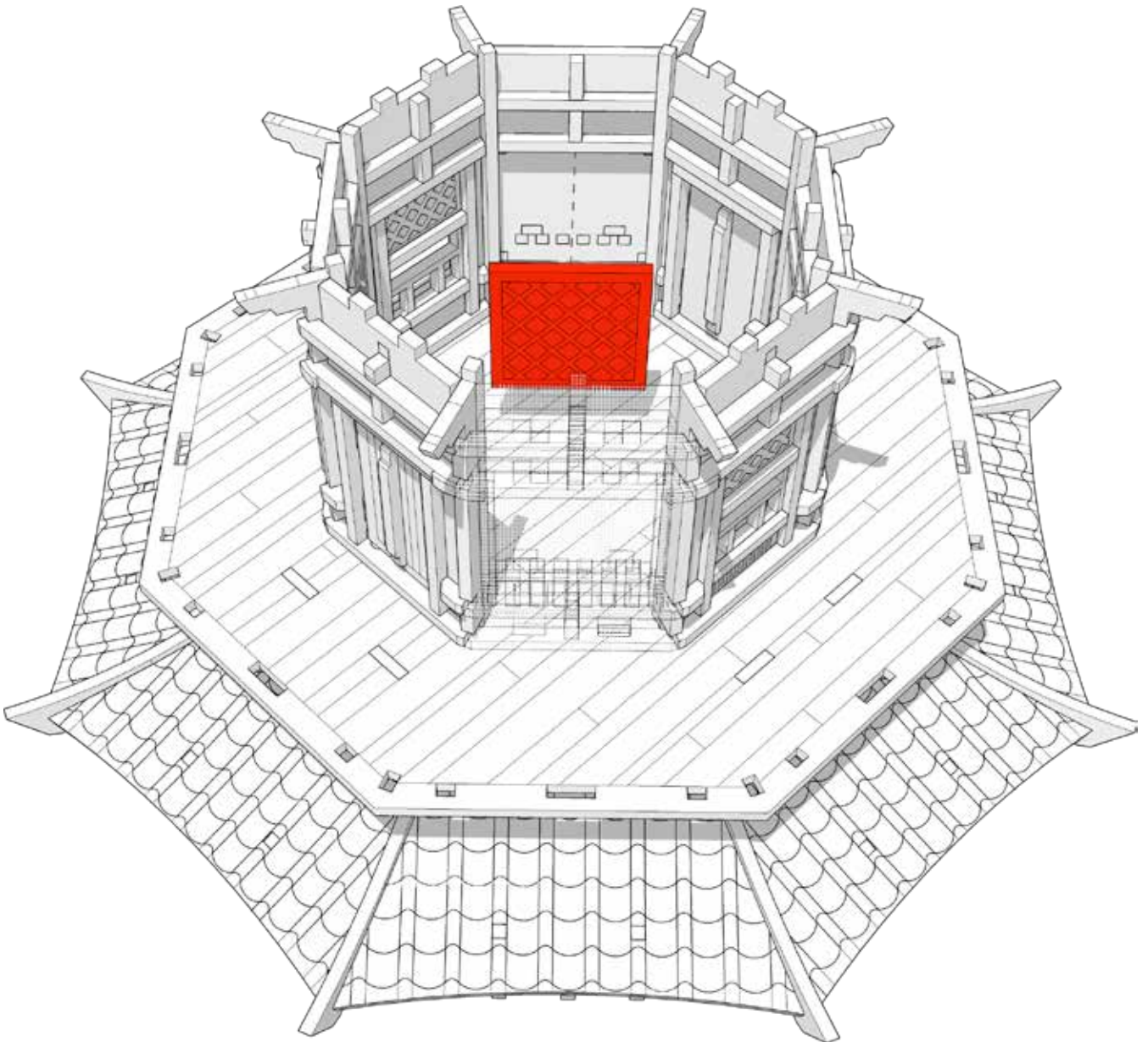
Repeat step for the 3 other same walls. It should align with the edges of the other walls to lock together



TABLETOP SCENICS

TTSCW-EES-112
Toshi : Hakkei-tō Pagoda
Enclosed Extension

65



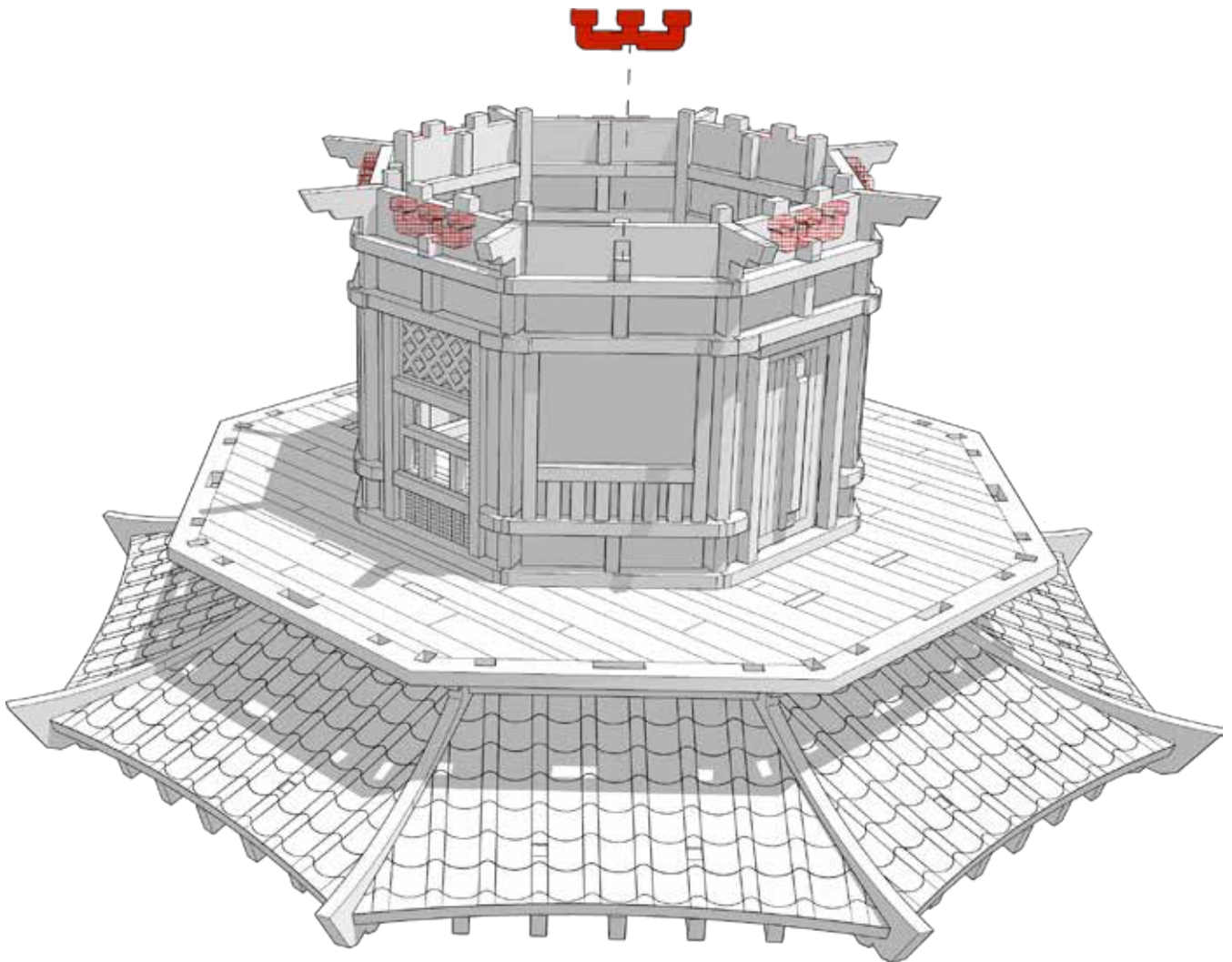
Repeat step for the other 3 spaces inside



TABLETOP SCENICS

TTSCW-EES-112
Toshi : Hakkei-tō Pagoda
Enclosed Extention

66



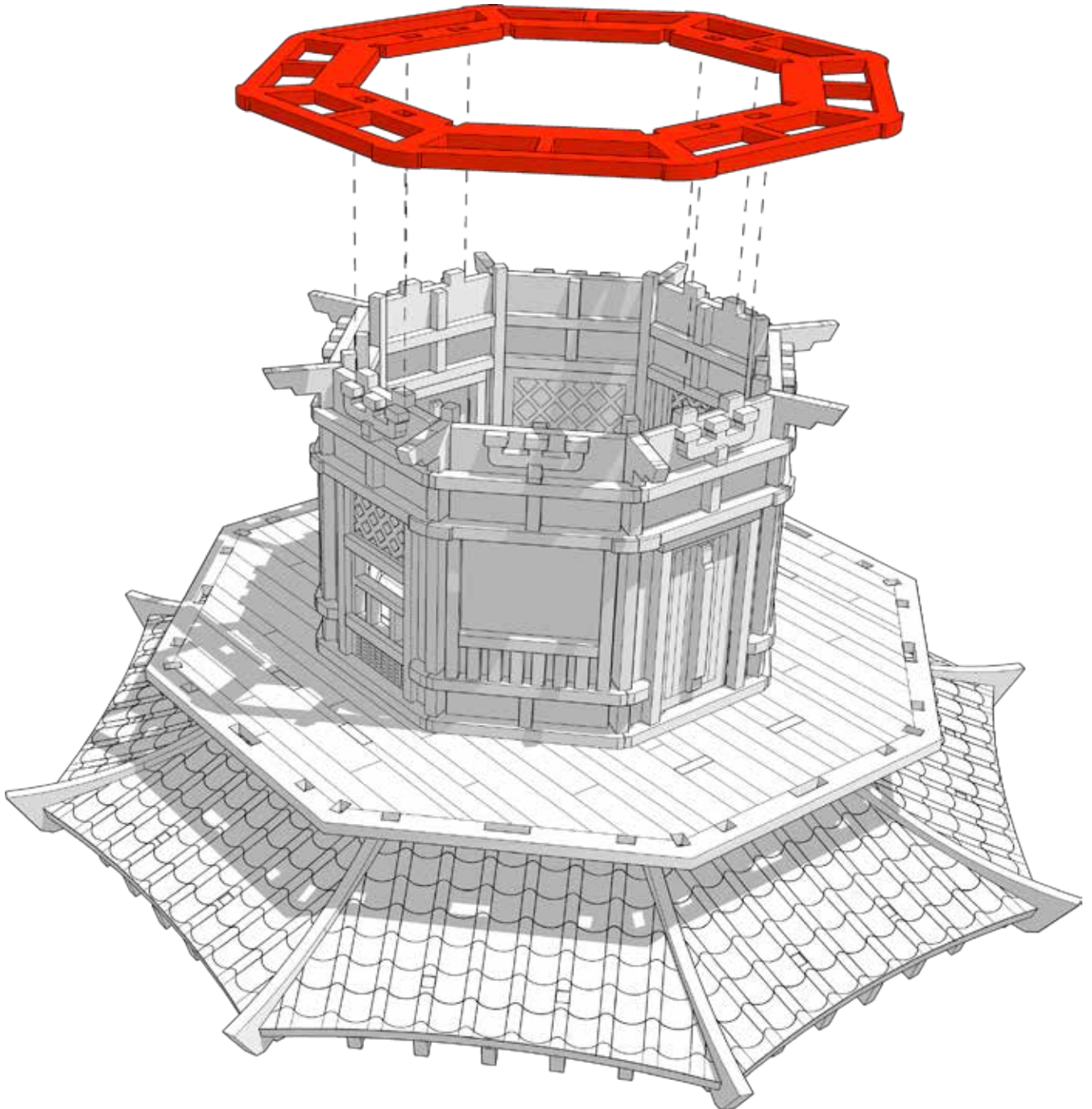
Repeat step around the building



TABLETOP SCENICS

TTSCW-EES-112
Toshi : Hakkei-tō Pagoda
Enclosed Extention

67

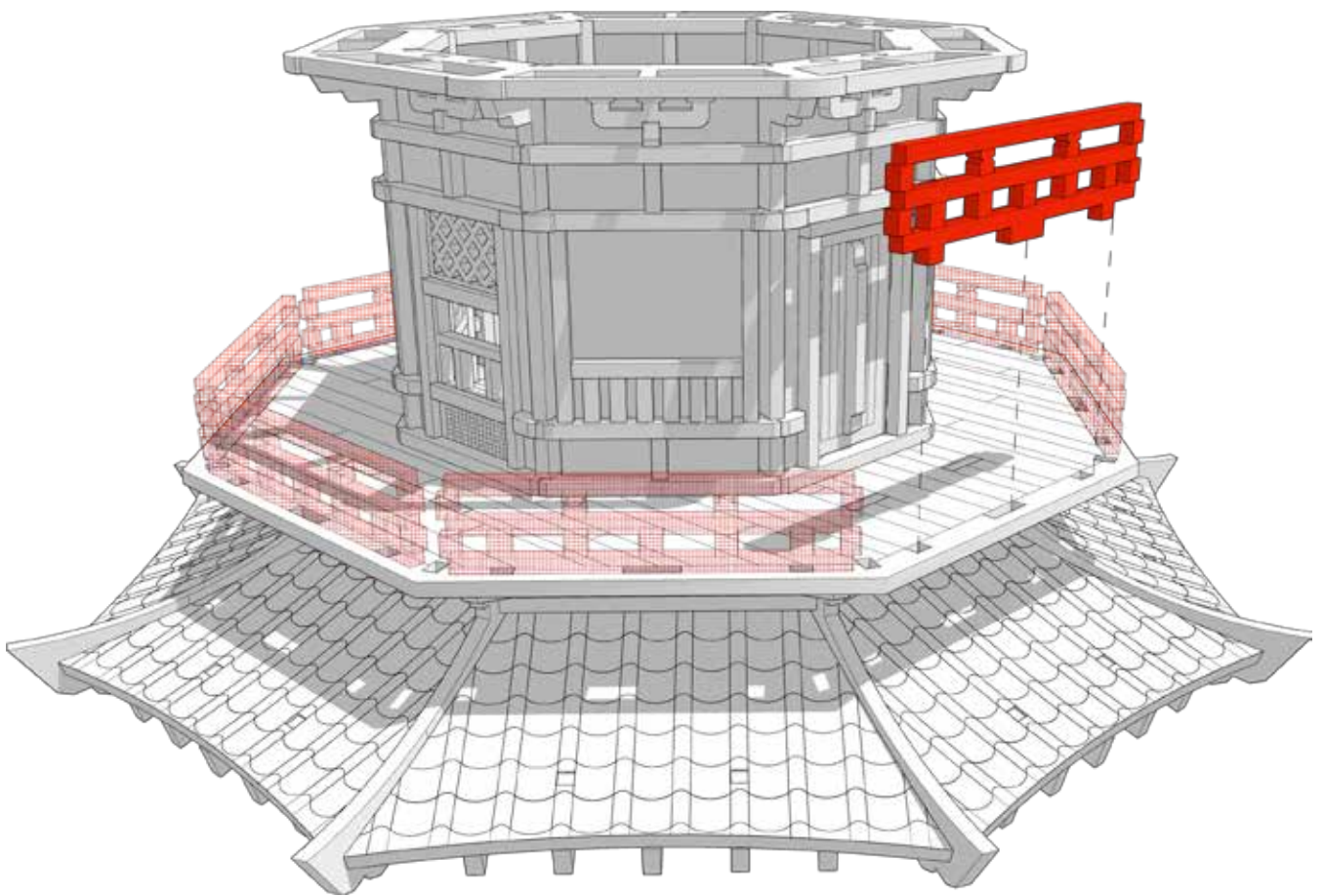




TABLETOP SCENICS

TTSCW-EES-112
Toshi : Hakkei-tō Pagoda
Enclosed Extention

68

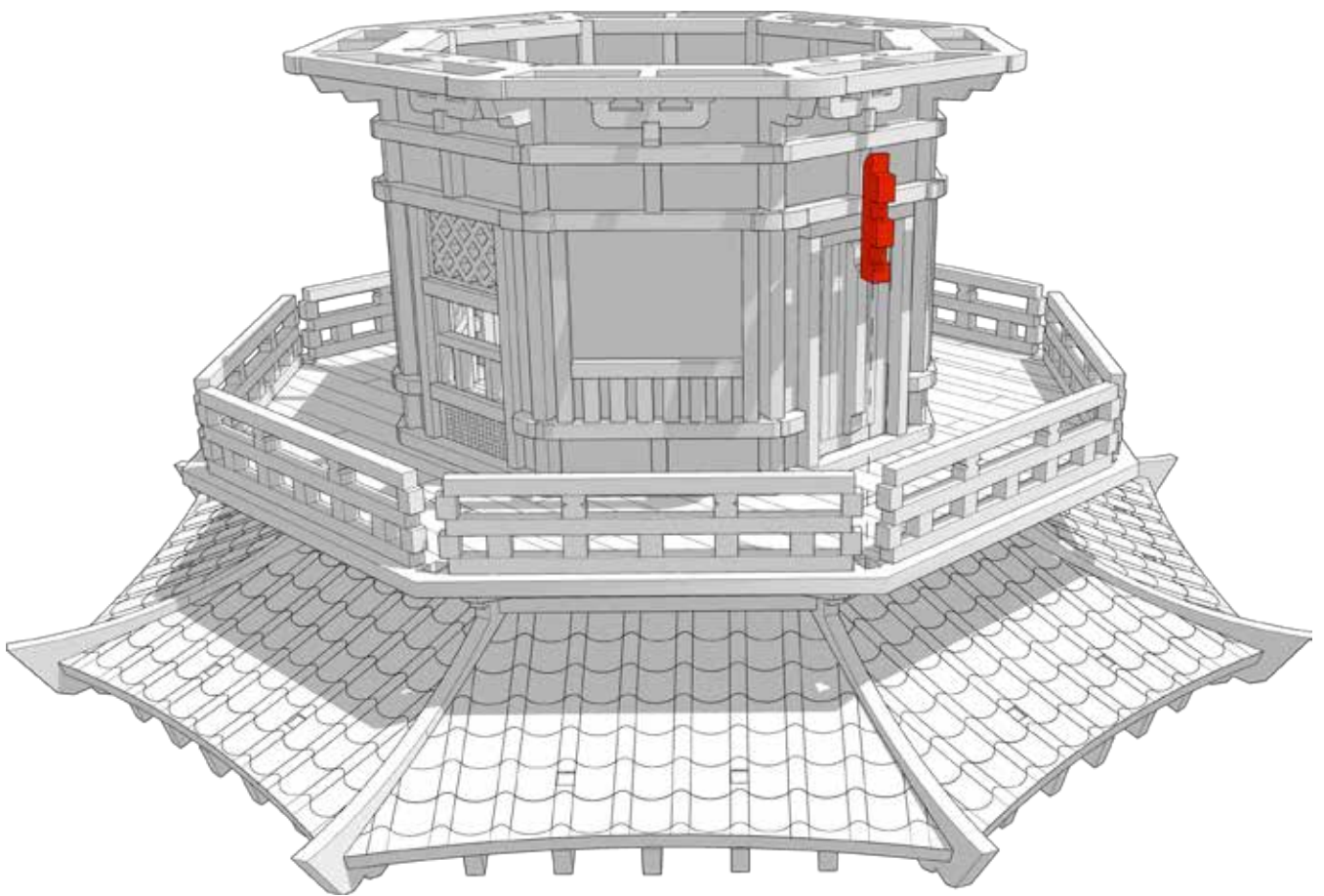




TABLETOP SCENICS

TTSCW-EES-112
Toshi : Hakkei-tō Pagoda
Enclosed Extention

69

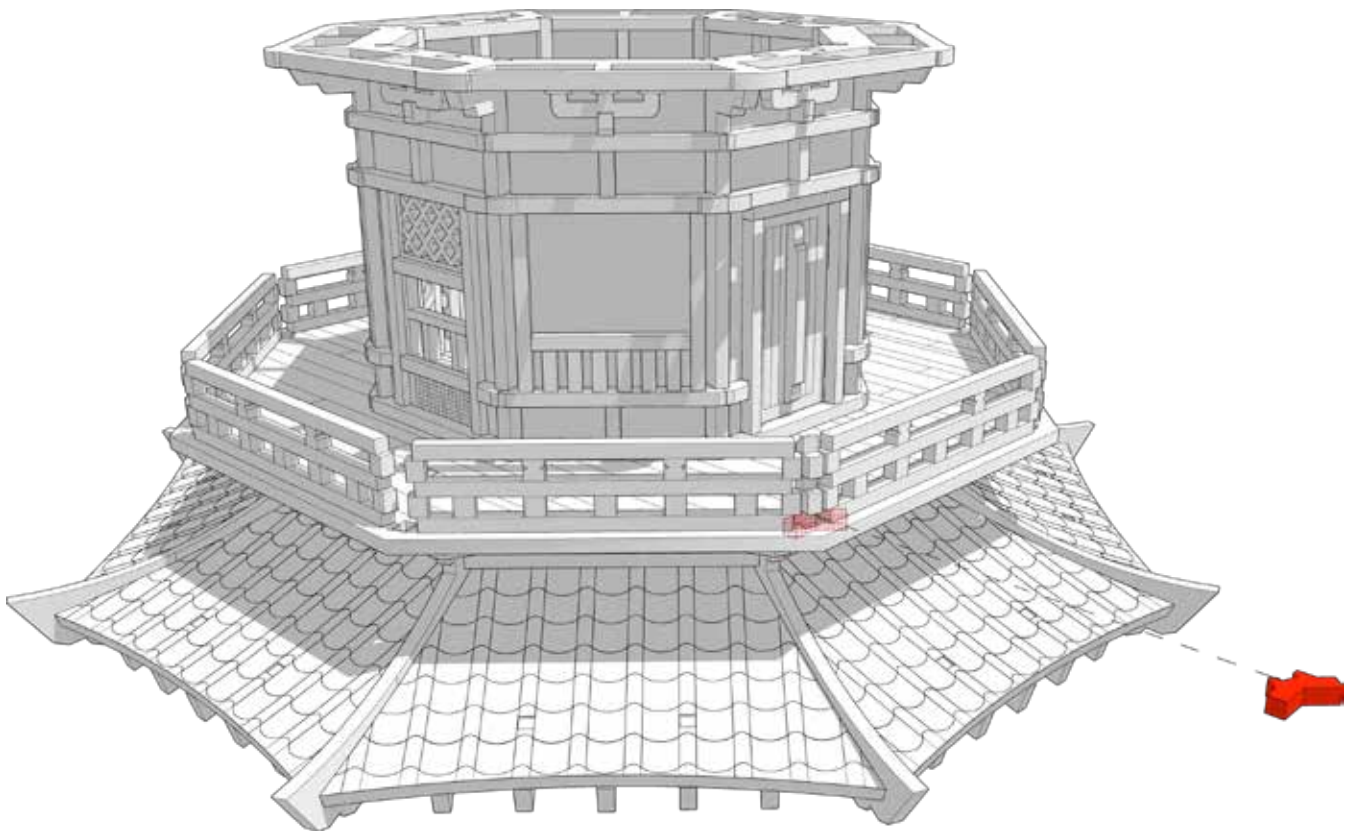




TABLETOP SCENICS

70

TTSCW-EES-112
Toshi : Hakkei-tō Pagoda
Enclosed Extention

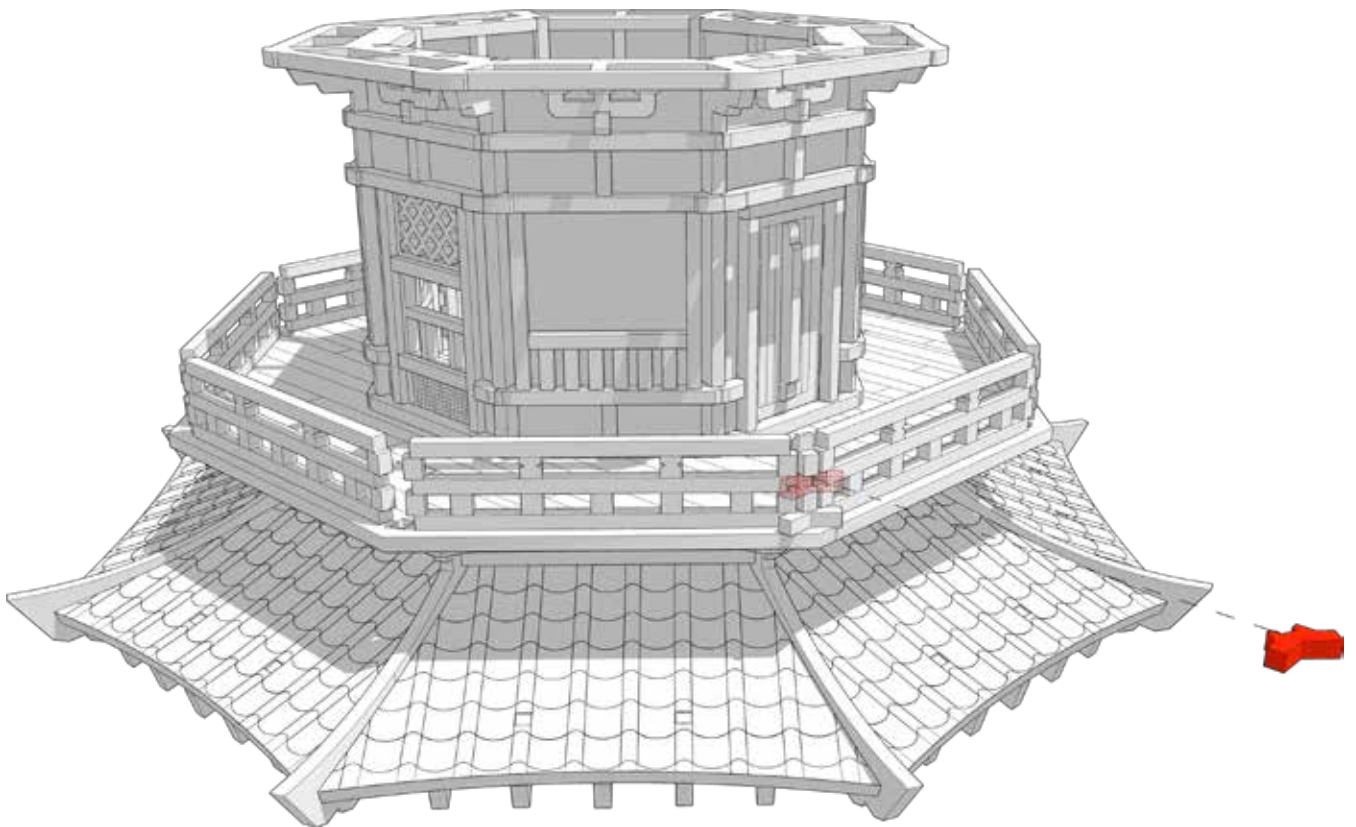




TABLETOP SCENICS

TTSCW-EES-112
Toshi : Hakkei-tō Pagoda
Enclosed Extention

71

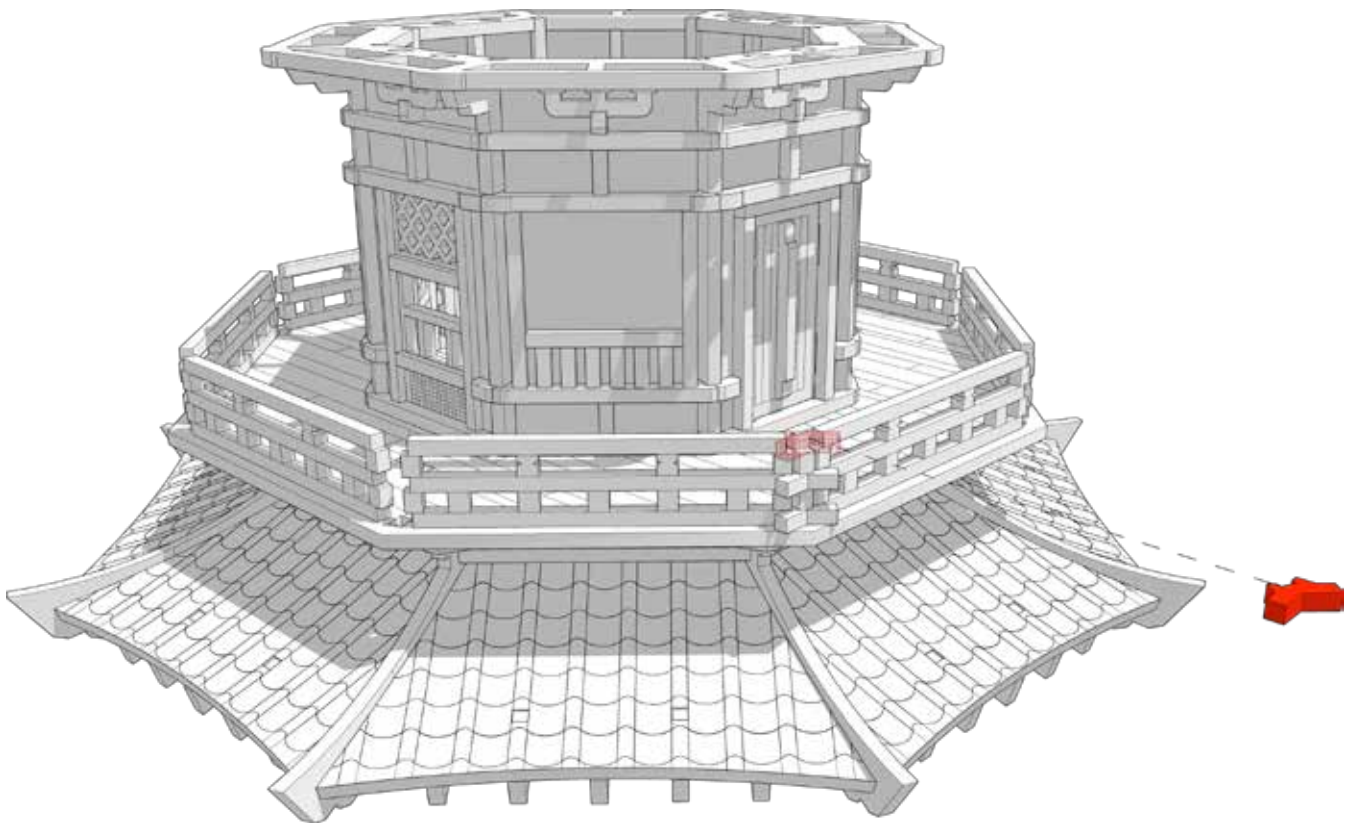




TABLETOP SCENICS

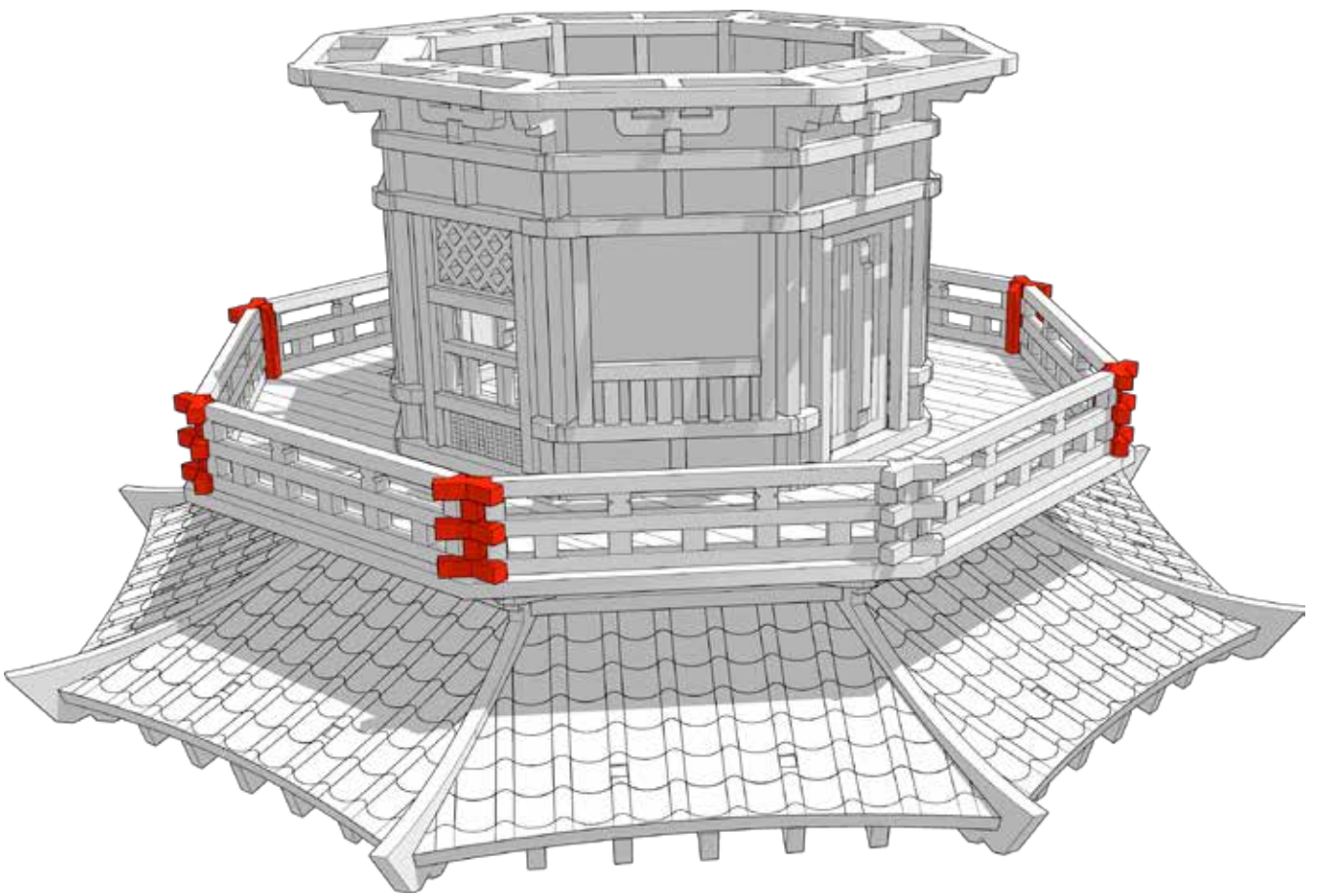
TTSCW-EES-112
Toshi : Hakkei-tō Pagoda
Enclosed Extention

72





73



Repeat steps 150-153 for the rest
of the fencing



TABLETOP SCENICS

TTSCW-EES-112
Toshi : Hakkei-tō Pagoda
Enclosed Extention

74

