



APPLICATION MANUAL

Pins

PRECIOSA



Hand and mechanical applications

MC Chaton Rose VIVA 12® PINS can be applied either by hand or using mechanical force, creating thus a lasting bond with the carrier material. This simple application technique is used primarily in the textile and accessories fields.

PRODUCT OVERVIEW

JEWELLERY APPLICATION	HAND APPLICATION	MECHANICAL APPLICATION
MC Chaton Rose VIVA 12® PINS	✓	✓
Nacre Cabochon PINS	✓	✓

CHECKING THE CARRIER MATERIAL THICKNESS, SELECTION OF PINS AND DIES

Please consider the material thickness when selecting pins.

MC CHATON ROSE VIVA 12 PINS	ART. NO.	SIZE	MATERIAL THICKNESS*
MC Chaton Rose VIVA 12® PINS	7192 9313	ss 16	1 – 2 mm
MC Chaton Rose VIVA 12® PINS	7192 9315	ss 20	1 – 2 mm
MC Chaton Rose VIVA 12® PINS	7192 9357	ss 34	1 – 2 mm
Nacre Cabochon PINS	7192 9515	4,5 mm	1 – 2 mm

* This can vary according to the type and toughness of the used material. Pins are not suitable for application to the leather and too rigid, fine or elastic materials.

MACHINES, TOOLS AND AIDS

PRECIOSA offers a hand tool with upper and lower dies for sizes ss16 – ss20 and ss34.



A setting knife.



A hand tool can be used for the application of MC Chaton Rose VIVA 12® Pins. This tool can be provided by PRECIOSA.



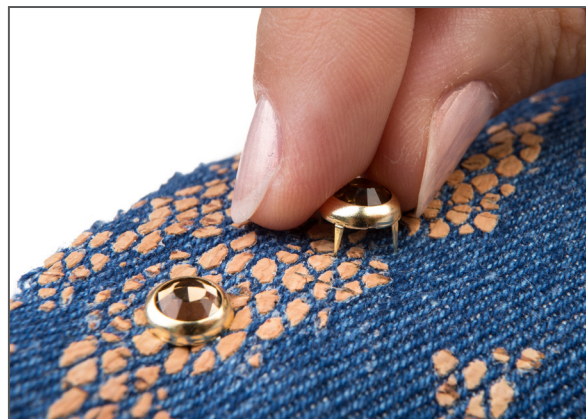
A fly press represents an easy way how to mechanically apply the products.

Hand Application

MC Chaton Rose VIVA 12® PINS can be applied manually using a setting knife.



1. MC Chaton Rose VIVA 12® PINS, fabric for PIN application and a setting knife



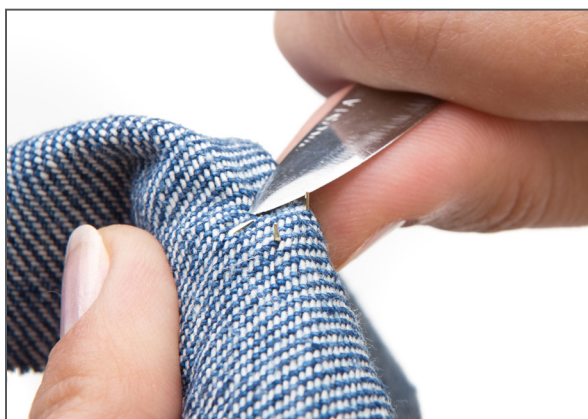
2. Take the pin in your fingers and direct its prongs toward the fabric



3. Push the prongs through the fabric.



4. Make sure that all prongs are poking out of the fabric.



5. Turn one prong after another toward the center and to the fabric using the setting knife.



6. The PIN fixed by prongs in the fabric looks like this.

Mechanical application

MC Chaton Rose VIVA 12® PINS can be applied manually or mechanically, using a pin applicator.



1. A manual pin applicator with a die set.



2. Put the pin into the upper die.



3. Place the fabric between the dies so that the rose pin is positioned where you want it. Make sure to punch it to the right side of the fabric. Squeeze the handles of the applicator.



4. Repeat the step No. 3




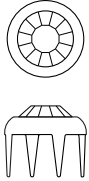


5. The application of rose pins from the top.



6. The application of rose pins from the bottom. The back side of the fabric should always look like this.

MC CHATON ROSE VIVA 12® PINS


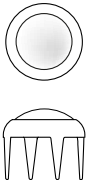


7192 9313 MC Chaton Rose VIVA 12® PINS (ss16)

	DRAWING	UPPER DIE SS 16	LOWER DIE SS 16 – SS 20
			


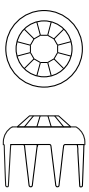


7192 9315 MC Chaton Rose VIVA 12® PINS (ss20)

	DRAWING	UPPER DIE SS 20	LOWER DIE SS 16 – SS 20
			

7192 9515 Nacre Cabochon PINS (4,5mm)

	DRAWING	UPPER DIE SS 20	LOWER DIE SS 16 – SS 20
			

7192 9357 MC Chaton Rose VIVA 12® PINS (ss34)

	DRAWING	UPPER DIE SS 34	LOWER DIE SS 34
			

Important advice and information

POSSIBLE PROBLEMS, THEIR CAUSES AND RECOMMENDATIONS

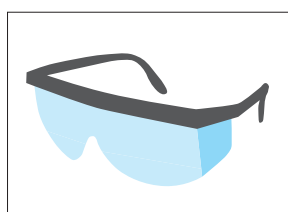
The table shows possible problems with mechanical applications, their causes and advice how to avoid them.

PROBLEM	CAUSE
The pins are not properly attached to the carrier material.	1, 2, 3, 4, 5
The carrier material ripples or crinkles.	2, 3, 4, 5
The dies cannot be inserted into the fly press.	3, 6, 7, 8
The dies cannot be unscrewed.	6, 8, 9
The pin crystals break.	2, 3, 4, 5, 10

CAUSE	RECOMMENDATION
1 The pressure is too low.	Increase the pressure when applying the product. Adjust the stop.
2 The carrier material is too thick or there are too many layers.	A hole can be pre-punched.
3 The die (the spare part) of the upper die is defective or improperly attached.	Check the die (the spare part) and replace or repair it if necessary.
4 Wrong dies are used for the pin application.	Check if the correct dies are being used.
5 The dies are not attached correctly.	Check if the pins are placed accurately and in a correct position on the dies. Then turn slowly the fly press handle to make sure that the upper and lower parts of the fly press meet precisely.
6 The fly press and dies do not fit together.	Check the thread size of both the fly press and the upper die; the size must be the same.
7 The upper die cannot be attached.	Check the fastening screw on the upper die; it may be screwed too tightly.
8 The die (the spare part) may be damaged.	Check the die and in case it is defective replace it with a new one or a spare part.
9 The screw on the upper die has broken off.	Carefully loosen the screw using pliers. It is necessary to oil and centre the die once in a while.
10 The pressure is too high.	Use a bit less pressure when applying the pin and adjust the stop.

CARE INSTRUCTIONS

A proper care will ensure high quality and long-lasting applications of PRECIOSA products.



It is recommended to wear a protective eyewear during the mechanical application to avoid any injury.

GENERAL RECOMMENDATIONS

FASHION JEWELLERY STONES

FLAT BACK STONES

Stones with coatings
— use only gentle
wash cycle (30 °C).



Turn inside out, choose a gentle wash cycle and use mild laundry detergent. To protect the crystals as much as possible, the use of a soft wash bag is recommended.

Round
Stones,
Channel

Fancy
Stones,
Ball

No Hotfix
Stones

Hotfix
Stones

Sew-on
Stones



Turn inside out and use mild laundry detergent.



Do not wash!



Chlorine bleach may be used.



Do not use chlorine bleach!



Turn inside out and dry at reduced temperature.



Do not tumble dry!



Iron inside out using a silk/polyester viscose setting. Ironing the textile inside out and using a pressing cloth is recommended.



Iron inside out using a wool setting.



Do not iron! Do not iron directly over the crystals.



The textile can be gently dry-cleaned using perchlorethylene. Turn inside out.



The textile can be gently dry-cleaned using hydrocarbon.



The textile will withstand gentle professional wet cleaning. Turn inside out.



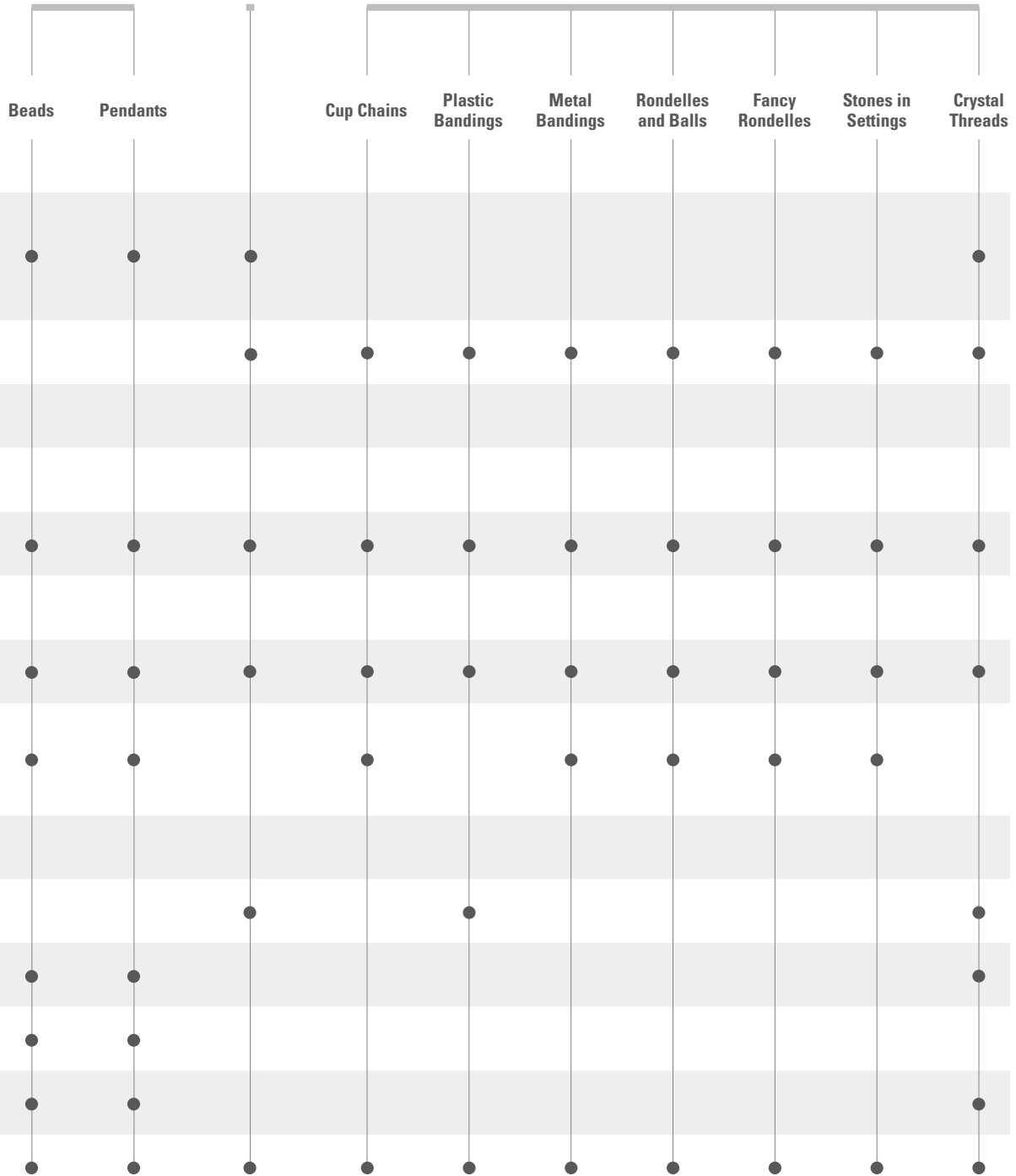
The textile may not be dry-cleaned.

To protect the crystals as much as possible, the use of a soft wash bag is recommended.

**BEADS AND
PENDANTS**

**NACRE
PEARLS**

**FASHION AND FASHION
JEWELLERY COMPONENTS**



Preciosa Components

A Member of the Preciosa Group

Preciosa Group is a global leader in products *manufactured from crystal*. From the world famous Czech Beads and Crystal Components used in fashion industry, to tailor made Lighting projects for luxury hotels, royal palaces and yachts, the true craftsmanship of crystal production has been present in Bohemia since 16th century.

PreciosaComponents.com