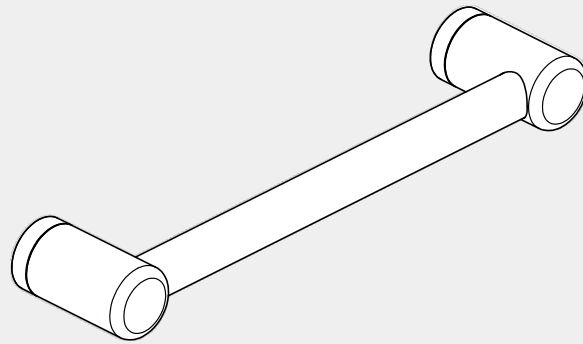


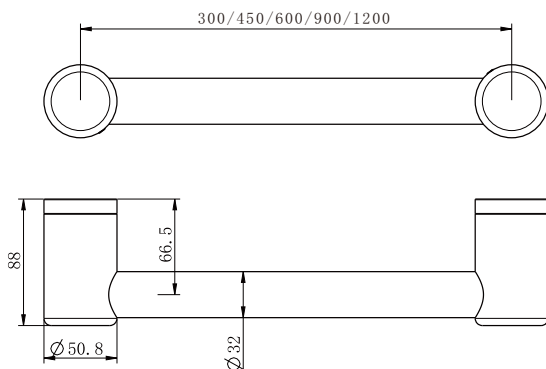
Mecca Care 32mm Grab Rail 300/450/600/900/1200mm

Nero



Versions:202311

Drawing



Specifications

SKU

300m Length:NR3212
450m Length:NR3218
600m Length:NR3224
900m Length:NR3230
1200m Length:NR3248

Warning:

These rails are designed to be mounted onto wall studs or masonry walls. Installation is recommended to be completed by qualified trades person who complies with the AS 1428.1-2009 design for access and mobility standard. It is recommended rail location is determined by a qualified occupational therapist or trained professional to the AS 1428.1-2009 standard. Correct installation is required to ensure safe, long term operation. Incorrect mounting can result in reduced capacity of the rail which can result in injury to user and damage to the wall.

Finish

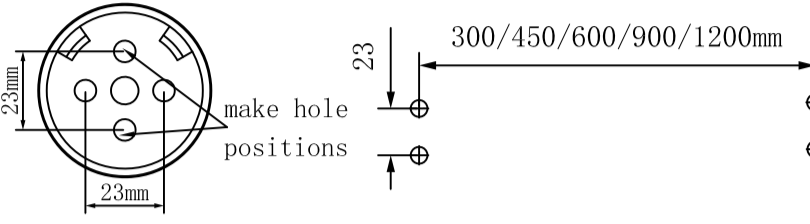
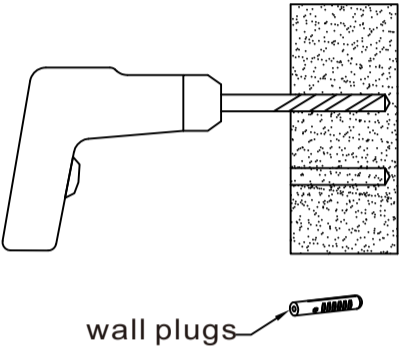
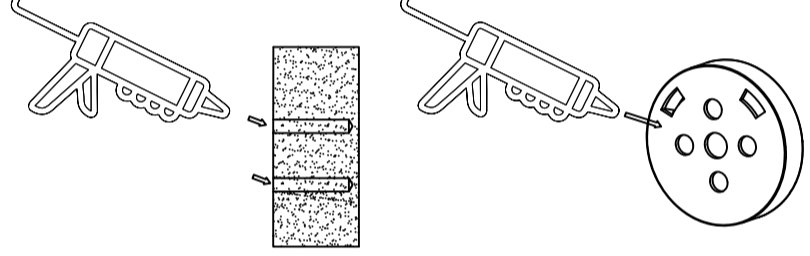
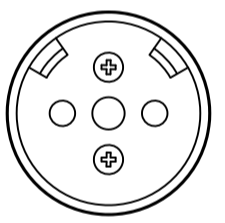
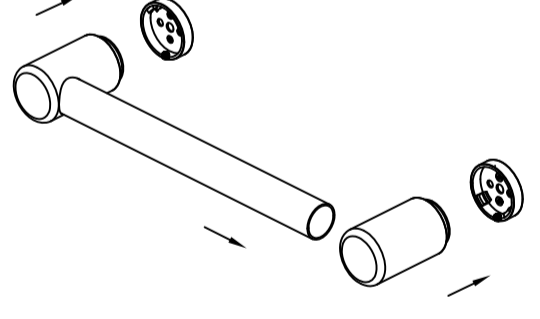
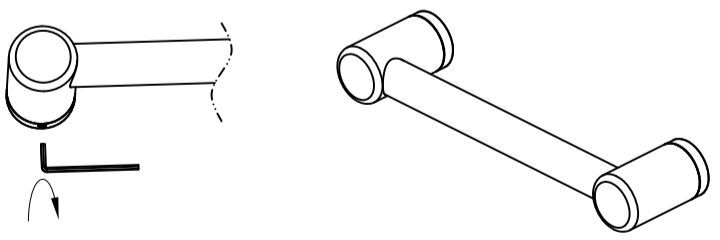
<p>Chrome NR3212CH/NR3218CH NR3224CH/NR3230CH NR3248CH</p>	<p>Gun Metal NR3212GM/NR3218GM NR3224GM/NR3230GM NR3248GM</p>	<p>Brushed Bronze NR3212BZ/NR3218BZ NR3224BZ/NR3230BZ NR3248BZ</p>
<p>Matte Black NR3212MB/NR3218MB NR3224MB/NR3230MB NR3248MB</p>	<p>Brushed Gold NR3212BG/NR3218BG NR3224BG/NR3230BG NR3248BG</p>	<p>Brushed Nickel NR3212BN/NR3218BN NR3224BN/NR3230BN NR3248BN</p>

Features

1. Australian owned and designed.
2. Sizes: 300 - 1200mm lengths as standard.
3. Modular design, the rail to be mounted horizontally, vertically or at any angle and cut down to suit your bathroom.
4. 150kg capacity for all 25mm and 32mm diameter grab rails.
5. 32mm diameter rails are approved for standard AS1428.1 requirements in DDA bathrooms.
6. Gun metal, brushed gold and brushed bronze colours are PVD coated for long term durability.

*Dimensions are nominal measurements only.

Installation Instruction

	<p>1. Locate wall studs, install into at least one stud. Place wall seal/mounting bracket on wall at correct height over centre of stud and mark hole positions on wall (minimum 2 supplied screws per bracket).</p>
	<p>2. Drill pilot holes into wall stud approximately 60mm deep to suit mounting screws (and wall plugs if required).</p> <p>Tip: 3mm hole for screws into timber or 8mm hole for wall plugs.</p>
	<p>3. Apply small amount of silicon to mounting bracket and wall in and around the screw holes.</p>
	<p>4. Install mounting brackets by screwing onto wall.</p> <p>Tip: Use appropriate mounting screws for the wall stud material, supplied screws are for timber wall studs.</p>
	<p>5. Slide rail tube into end bracket and push onto wall brackets.</p> <p>Tip: Rail length can be cut down to a smaller size, simply use an angle grinder, hacksaw or pipe cutter then deburr the end with a file or grinder and reinsert into the end bracket.</p>
	<p>6. Tighten grub screws with allen key.</p> <p>Tip: If rail rattles, loosen end bracket, twist slightly and tighten.</p>

Nero

info@nerotapware.com.au
nerotapware.com.au

11-13 Buontempo Road
Carrum Downs Vic 3201



**MECCA CARE
DDA CARE 32MM**