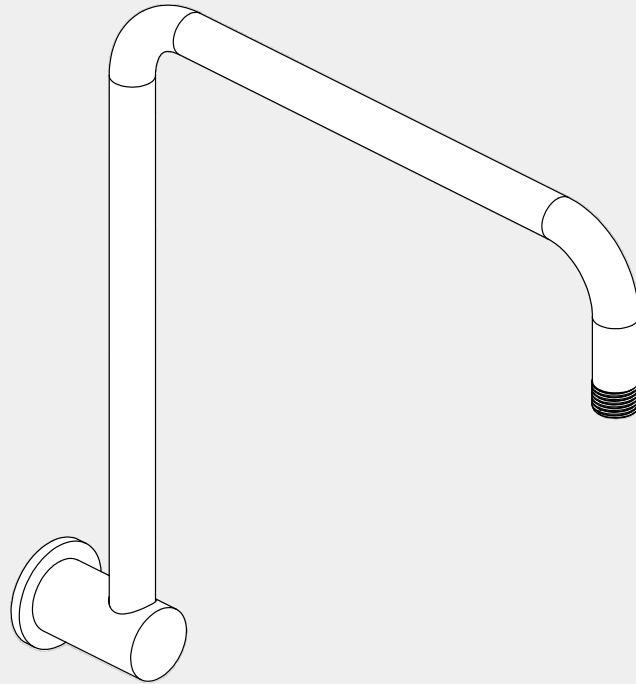


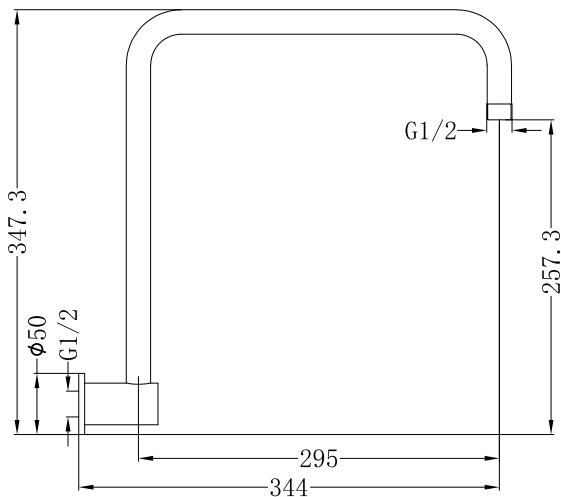
Round Swivel Shower Arm

Nero



Versions:202401

Drawing



Specifications

Temperature Rating

Min 1°C - Max 75°C

Pressure Rating

Min 150kpa - Max 500kpa

Packaging Includes

1x Shower Arm
1x Plate

Finish & SKU

Chrome
NR506CH

Gun Metal
NR506GM

Brushed Nickel
NR506BN

Matte Black
NR506MB

Brushed Gold
NR506BG

*Dimensions are nominal measurements only.

Nero

info@nerotapware.com.au
nerotapware.com.au

11-13 Buontempo Road
Carrum Downs Vic 3201

