

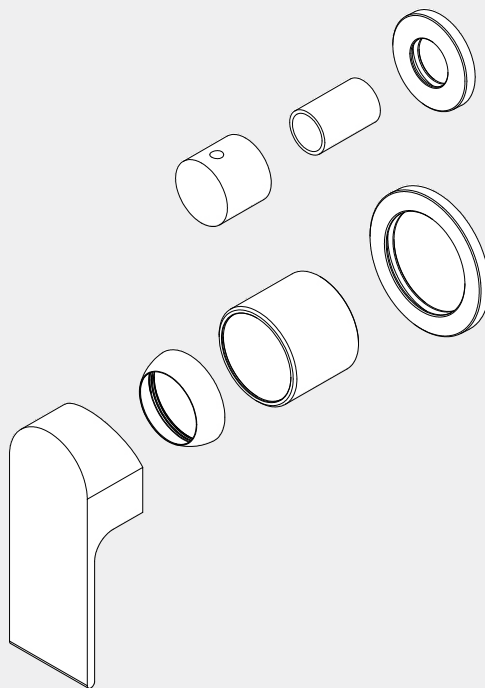
# Bianca

## Shower Mixer With Divertor

### Separate Back Plate

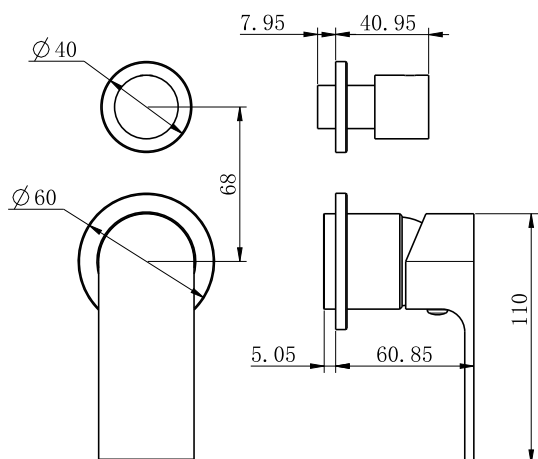
### Trim Kits Only

# Nero



Versions:202401

#### Drawing



#### Specifications

##### Watermark License

WM-060073

##### Temperature Rating

Min 1°C - Max 75°C






##### Pressure Rating

Min 150kpa - Max 500kpa

#### Packaging Includes

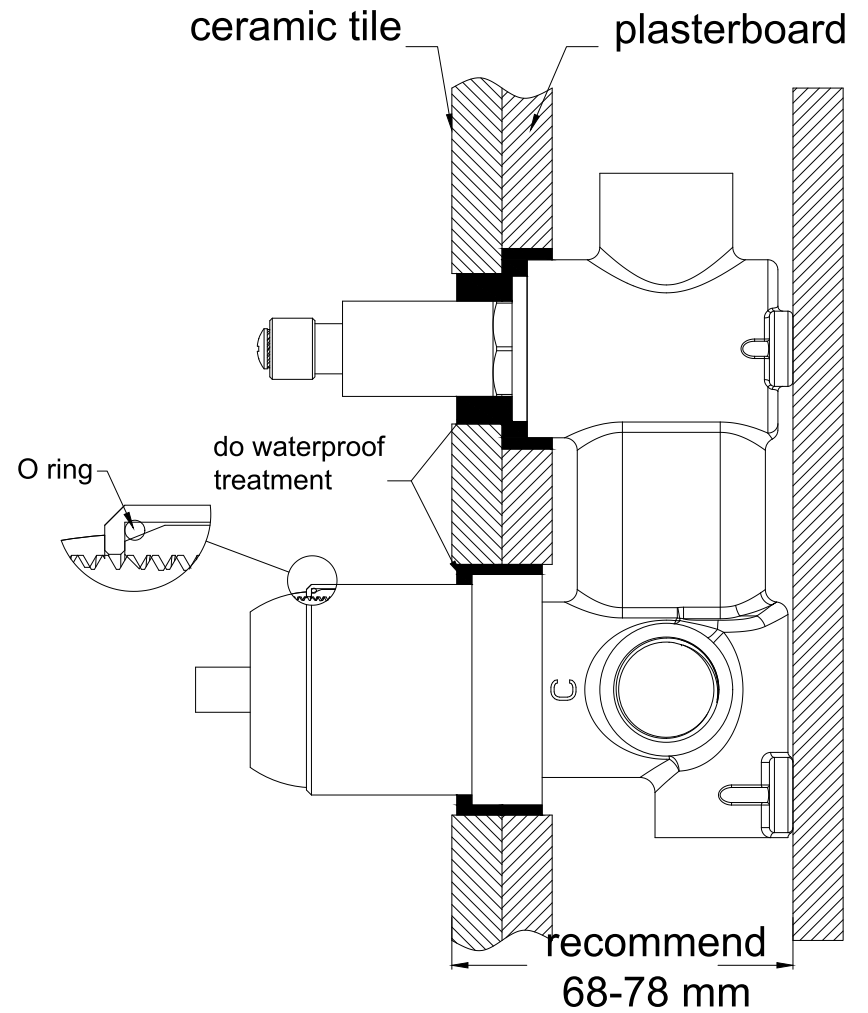
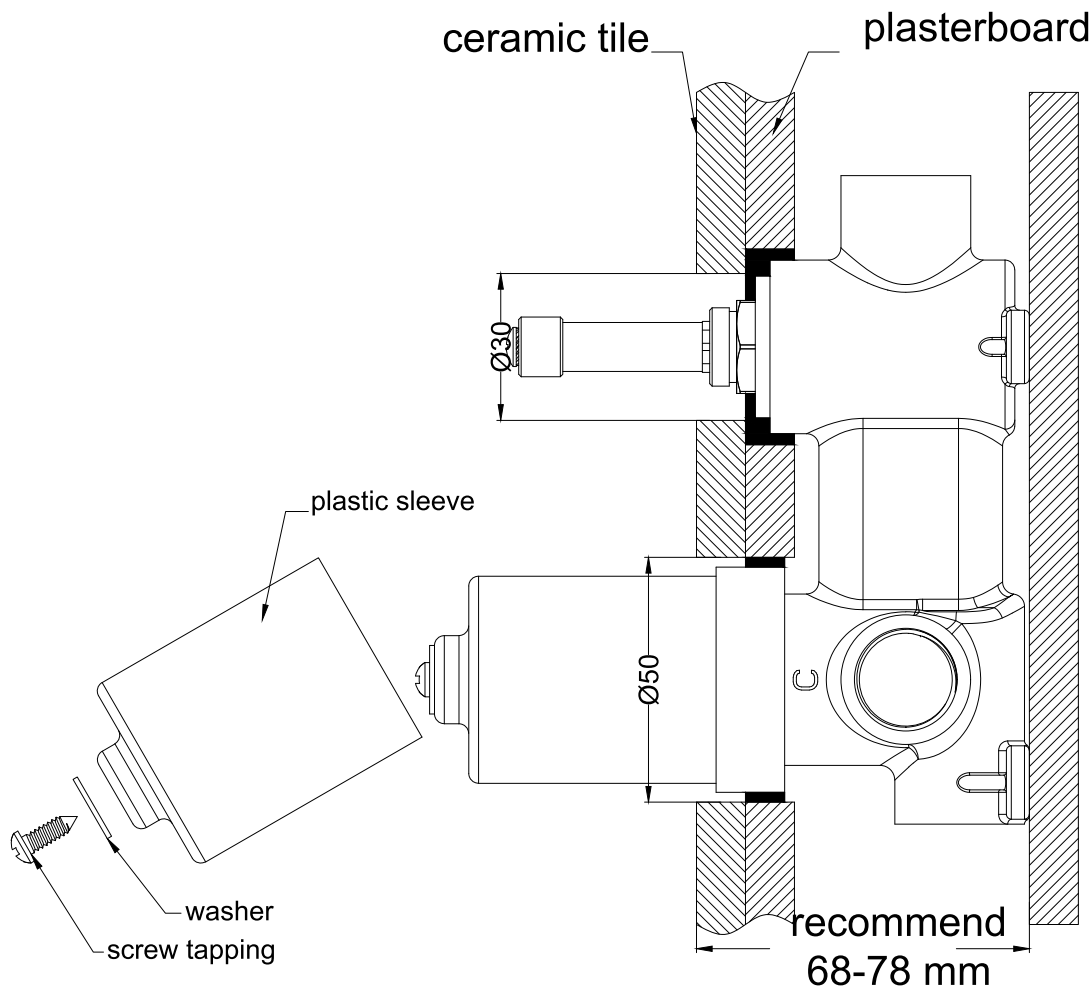
- 2x Plates
- 1x Handle
- 1x Knob
- 1x Sleeve
- 1x Cartridge Bell
- 1x Dressing Ring

#### Finish & SKU

- |   |  |  |
|---|--|--|
|  Chrome<br>NR321511gtCH      |  Gun Metal<br>NR321511gtGM    |  Brushed Nickel<br>NR321511gtBN |
|  Matte Black<br>NR321511gtMB |  Brushed Gold<br>NR321511gtBG |  |

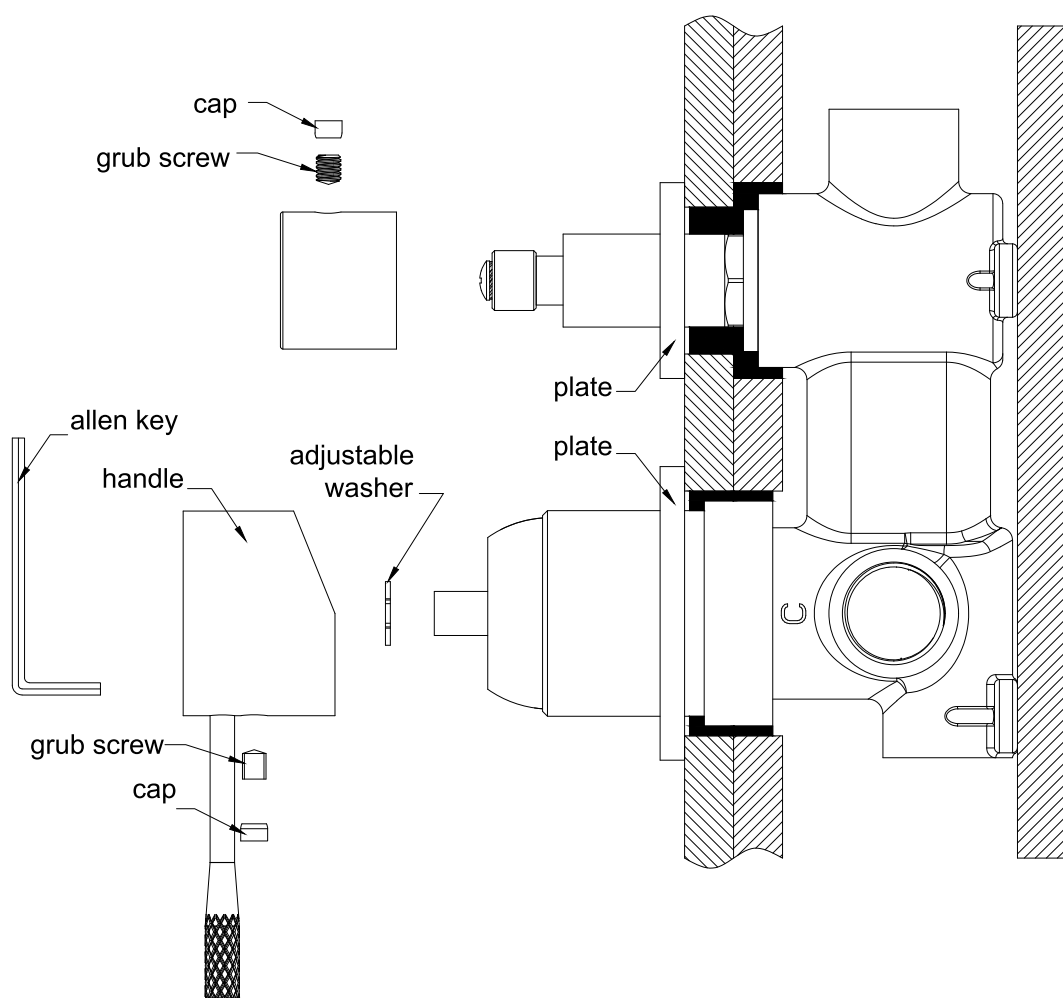
\*Dimensions are nominal measurements only.

# Installation Instruction For Trim Kits Only



1. Drill a  $\phi 50\text{mm}$  and a  $\phi 30\text{mm}$  hole in the ceramic tile, then position it as shown in the above diagram.
2. Undo the self-tapping screw to remove the plastic sleeve.

3. Insert the O ring to the dressing bell groove, and slide the cartridge bell onto cartridge and slide diverter dressing bell onto diverter cartridge.
4. Apply waterproof treatment to the area indicated in the diagram above.
5. Tighten up the dressing ring on the cartridge bell.



6. Slide the backplates onto body.
7. Attach the washer to cartridge rod, position the handle, tighten it with a grub screw using an Allen key, and cap the grub screw hole.
8. Put knob onto diverter cartridge, tighten it with grub screw using Allen key, and cap the grub screw hole.

# Nero

[info@nerotapware.com.au](mailto:info@nerotapware.com.au)  
[nerotapware.com.au](http://nerotapware.com.au)

11-13 Buontempo Road  
Carrum Downs Vic 3201

