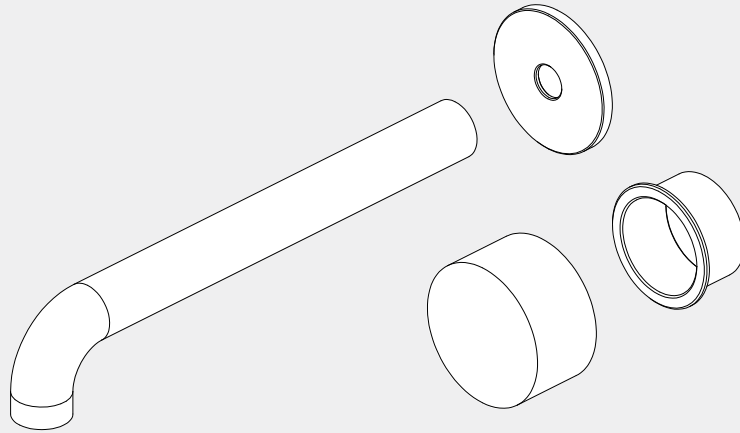


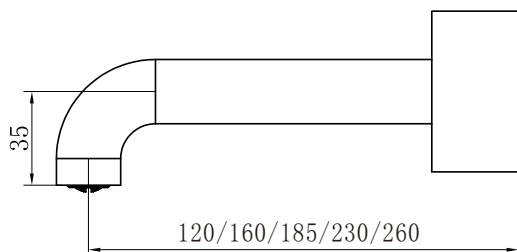
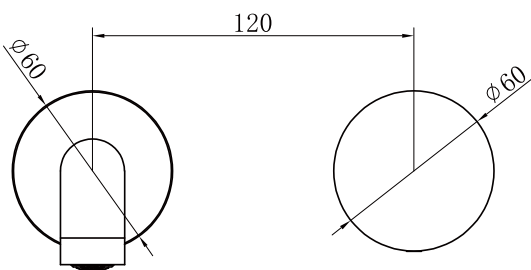
# Kara Progressive Wall Basin/Bath Set Trim Kits Only

# Nero



Versions:202311

## Drawing



## Specifications

### SKU

NR271907at(120/160/185/230/260)

### Watermark License

WM-060073







### Temperature Rating

Min 1°C-Max 75°C

### Pressure Rating

Min 150kpa - Max 500kpa

## Finish

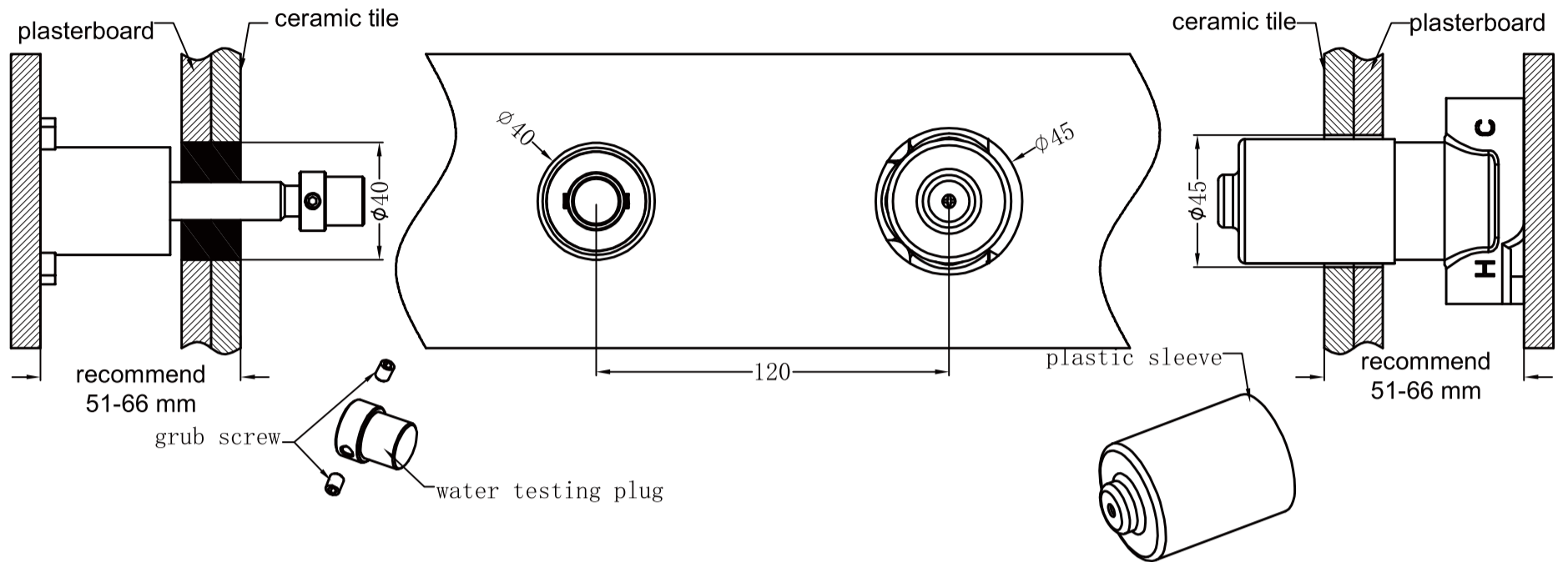
 <b>Chrome</b> NR271907at(120/160/185/230/260)CH	 <b>Gun Metal</b> NR271907at(120/160/185/230/260)GM
 <b>Matte Black</b> NR271907at(120/160/185/230/260)MB	 <b>Brushed Gold</b> NR271907at(120/160/185/230/260)BG
 <b>Brushed Bronze</b> NR271907at(120/160/185/230/260)BZ	 <b>Brushed Nickel</b> NR271907at(120/160/185/230/260)BN

\*Dimensions are nominal measurements only.

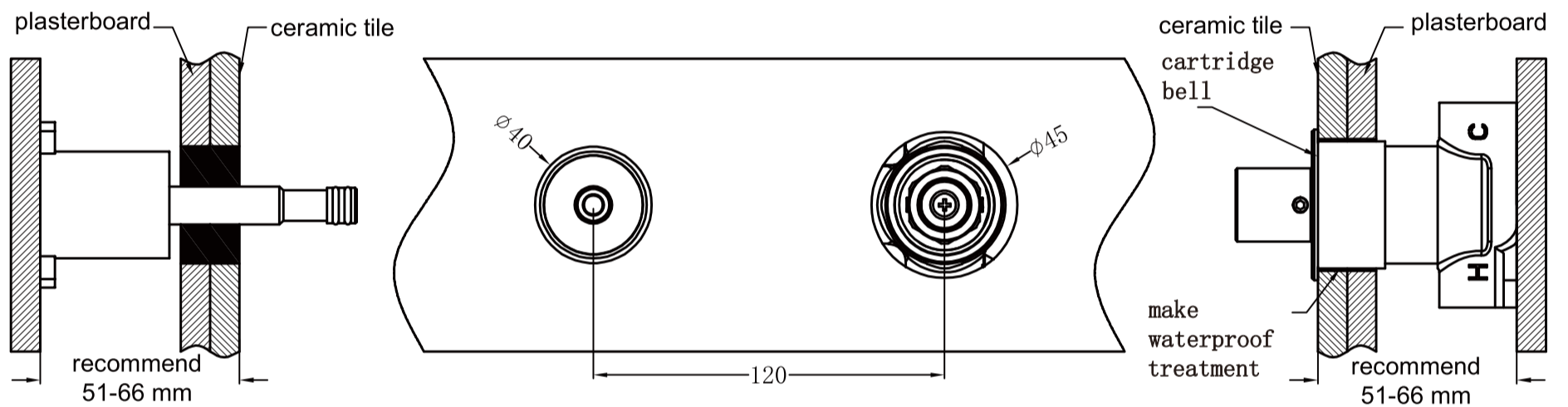
## Packaging Includes

1x spout  
1x plate  
1x hand wheel  
1x cartridge bell

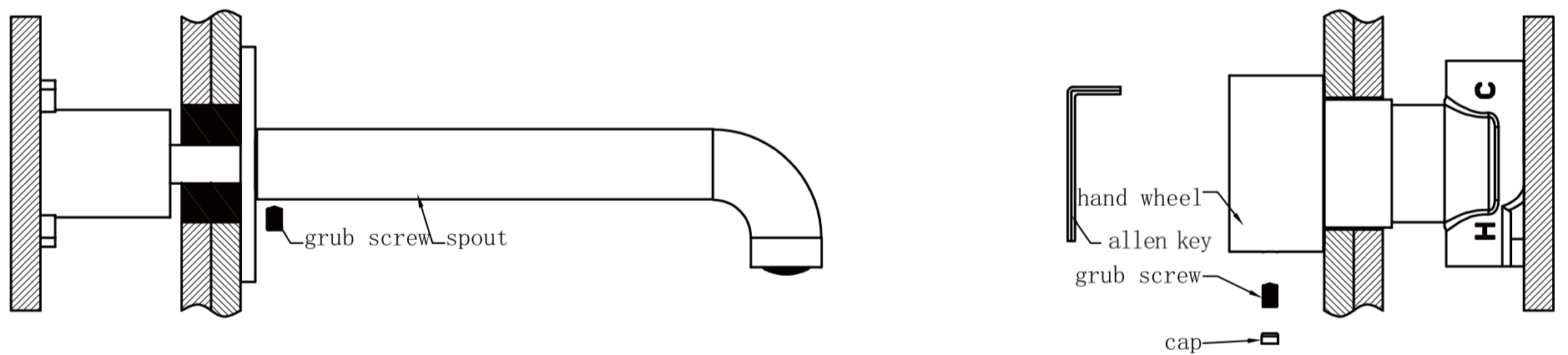
# Installation Instruction For Trim Kits Only



1. Remove plastic sleeve, grub screw and water testing plug.

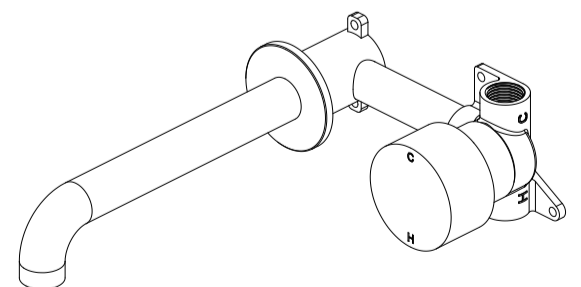


2. Put cartridge bell onto body and do waterproof treatment for the gap between cartridge bell and plasterboard and ceramic tile.



3. Put plate, washer and spout onto body successively, tighten grub screw of spout firmly by allen key.

4. Make hand wheel into connecting rod, turn the hand wheel counterclockwise to the end. Then reinstall the hand wheel, make the "C" should be on twelve o'clock direction and "H" on the six o'clock direction, according to above picture. Then tighten grub screw of hand wheel by allen key, put cap into hand wheel.



# Nero

info@nerotapware.com.au  
nerotapware.com.au

11-13 Buontempo Road  
Carrum Downs Vic 3201

