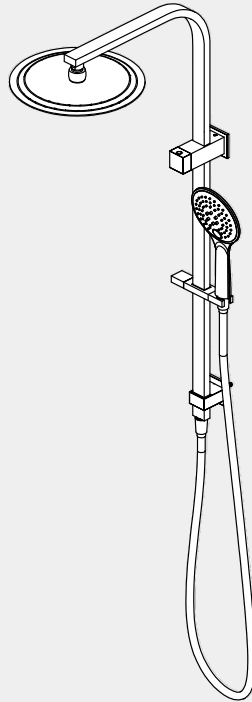


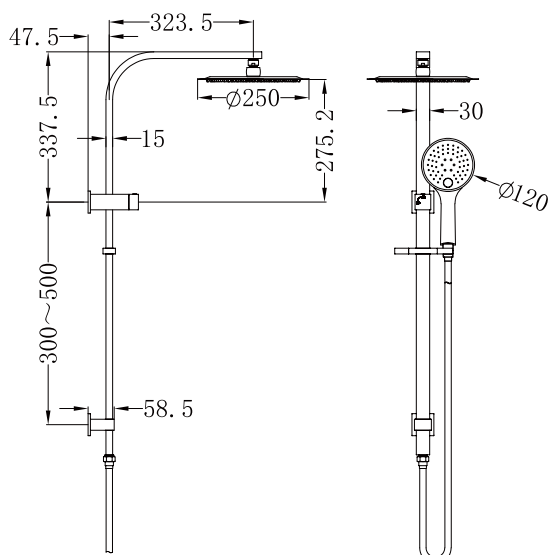
Bianca Twin Shower

Nero



Versions:202401

Drawing



Specifications

Watermark License
WM-060093

Temperature Rating
Min 1°C-Max 75°C

Pressure Rating
Min 150kpa - Max 500kpa

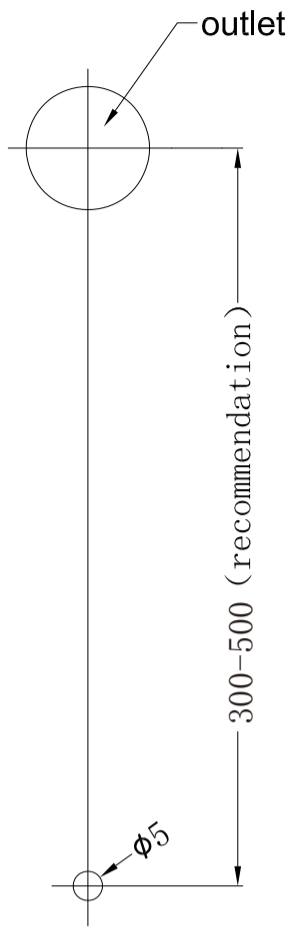
Finish & SKU

Chrome
NR250805cCH

Packaging Includes

1x Shower Arm
1x Shower Rail
1x Shower Head
1x Hand Shower (Built- In Check Valve)
1x 1.5m PVC Hose

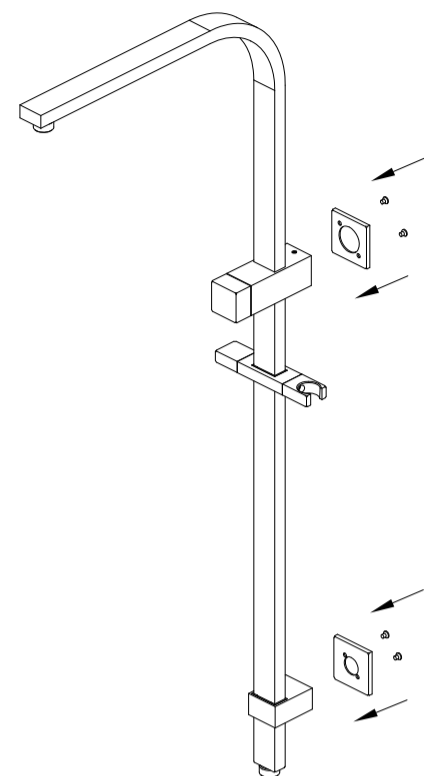
*Dimensions are nominal measurements only.



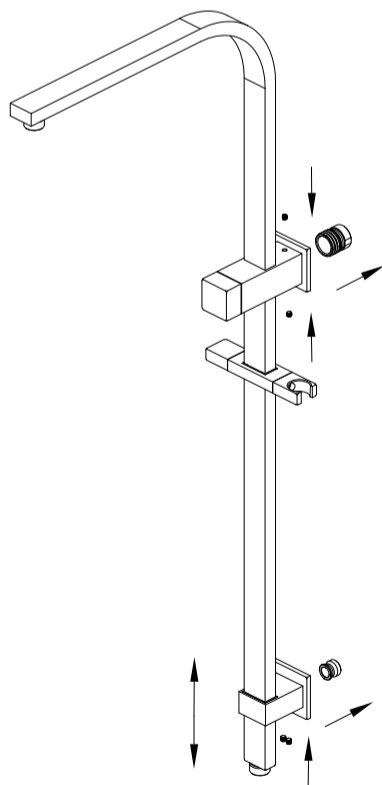
1. Drill a $\phi 6$ mm hole at the outlet vertical downward position in the recommended range.



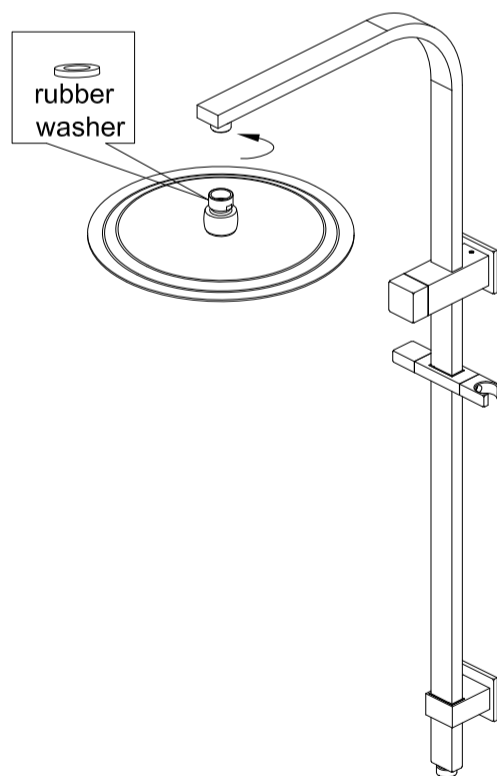
2. Screw the adapter on the outlet, and mount the bracket on the $\phi 6$ mm hole by expansion plug and tapping screw.



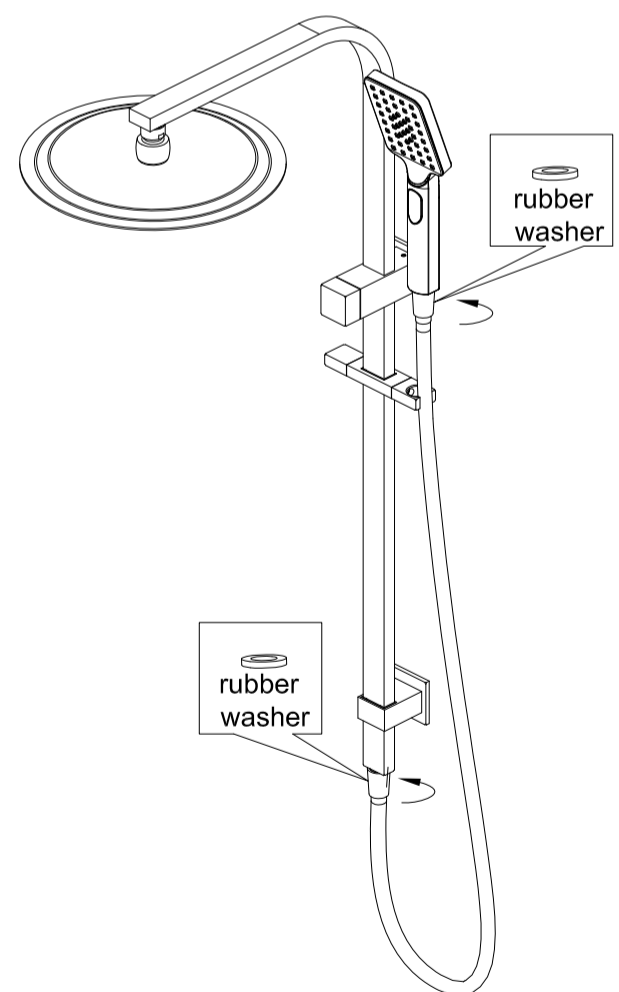
3. Screw the straight tube (with lower body) on diverter body, and then pull on the 2 dressing rings for both the diverter body and lower body.



4. Adjust lower body position, and put diverter body and lower body on to the outlet adapter and the bracket, then tighten grub screws by Allen key.



5. Screw on shower head. (note the rubber washer in the shower head.)



6. Screw shower hose to hand shower and shower rail. (note the rubber washers in the 2 joints of the shower hose).

Nero

info@nerotapware.com.au
nerotapware.com.au

11-13 Buontempo Road
Carrum Downs Vic 3201

