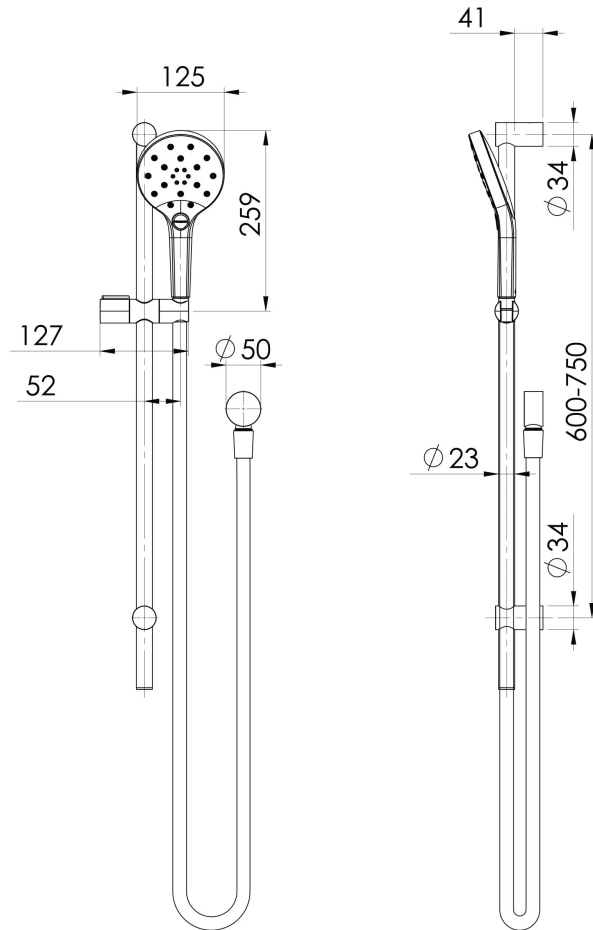


# ORMOND

## ORMOND RAIL SHOWER

## SPECIFICATIONS



### AVAILABLE IN



609-6830-00  
Chrome



609-6830-40  
Brushed Nickel



609-6830-31  
Brushed Carbon



609-6830-10  
Matte Black

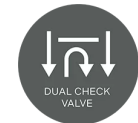


609-6830-12  
Brushed Gold

### INFORMATION

Temperature Rating  
1 - 75°C

Pressure Rating  
150 - 500kPa



### MAINTENANCE AND CARE:

- All surfaces should be cleaned with mild liquid detergent or soap and water.
- Do not use cream cleaners or citrus based cleaning products, as they are abrasive.
- Use of unsuitable cleaning agents may damage the surface.
- Any damage caused in this way will not be covered by warranty.

Please visit <https://www.phoenixtapware.com.au/warranty> to view the full warranty

AS2485.1 Compliant Dual Check Valves