

Description

RUBINE Raul wall-hung pan is designed with the latest rimless outfit that coupled with a patented VORTEX flushing technology that enable good transportation of wastes with minimum water consumption. It also replaced 100% trapped water per cycle so as to prevent growth of bacteria. In addition, the porcelain is fired at a high temperature of 1240 °C to ensure its hardness and applied a special glazing formula to protect the WC surface from scratches and it is easy to maintain too.

A good toilet must have a good flushing system, we partnered with Geberit to let you indulge yourself in aqua lifestyle today.



Specifications

- Model : RAWFP
- Description: Floor Standing Toilet

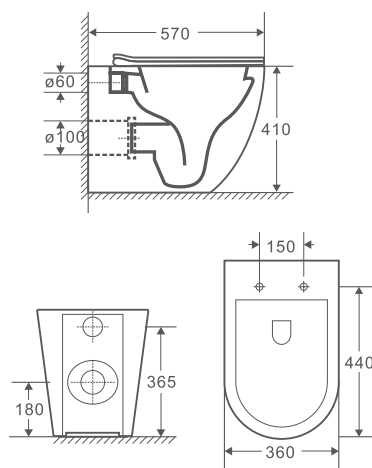
- Features:
- Highest Quality Vitreous China
 - Rimless vortex flushing technology
 - Easy-release slim Duraplas seat
 - Unique trap design - 100% clean water

- Installation:
- V70 Flexible Connector
 - P-Trap: 180mm Roughing-in
 - S-Trap: 100-145mm Roughing-in

Water Consumption:
WELS 4 Star
4.5L/Full, 3L/Half



Product Dimension



Dimension: 570 x 360 x 410mm

GEBERIT

Rimless



Distributed by: Unicasa Pty Ltd

Toll Free: 1800 699 888 Email: info@unicasa.com.au

www.mercio.com.au