

SPECIFICATION

IN-WALL CISTERN



Model: **Slim Mechanical In-Wall Concealed Cistern**

Code: VI.200CC

Features: Suitable for wall faced pans only (to the floor)
Suits 90mm cavities
Mechanical actuation
Front Press

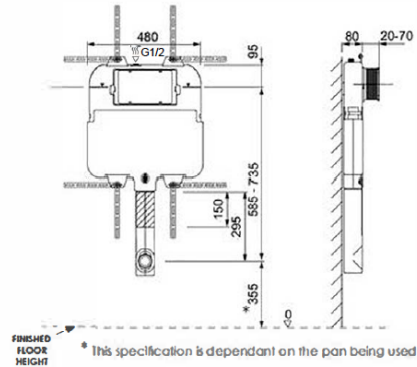
Flush Plate: Suitable with VI.003CC Push Plate

10
Year Warranty

CONCEALED CISTERN CONCEALED CISTERN CONCEALED CISTERN CONCEALED CISTERN CONCEALED CISTERN
CONCEALED CISTERN CONCEALED CISTERN CONCEALED CISTERN CONCEALED CISTERN CONCEALED CISTERN
CONCEALED CISTERN CONCEALED CISTERN CONCEALED CISTERN CONCEALED CISTERN CONCEALED CISTERN
CONCEALED CISTERN CONCEALED CISTERN CONCEALED CISTERN CONCEALED CISTERN CONCEALED CISTERN
CONCEALED CISTERN CONCEALED CISTERN CONCEALED CISTERN CONCEALED CISTERN CONCEALED CISTERN
CONCEALED CISTERN CONCEALED CISTERN CONCEALED CISTERN CONCEALED CISTERN CONCEALED CISTERN
CONCEALED CISTERN CONCEALED CISTERN CONCEALED CISTERN CONCEALED CISTERN CONCEALED CISTERN
CONCEALED CISTERN CONCEALED CISTERN CONCEALED CISTERN CONCEALED CISTERN CONCEALED CISTERN

ENDURANCE + QUALITY + RELIABILITY

Our strategy: versatility, innovation and sophistication. Verotti in-wall world's first cistern to be made from sound-proofing plastic material. Research and development laboratories, a special plastic compound was design using a formula with the aim of reducing the noise emissions from the flush cistern. Laboratory tests show that the perceived noise from Verotti in-wall is 5 times lower compared to the most widely-used cistern on the market.



Compatible Mechanical Push Plate



VI.003CCBN

VI.003CCBB

VI.003CCGM

VI.003CCMB



Information provided represents the actual product available at the time 01/01/2021.
The design and specification are subject to change without notice.
Dimensions are approximate.

www.verotti.com

T.1300 837 688

customer@verotti.com