

STERLING

ORBIT RIMLESS

Orbit Rimless Toilet Suite

Seat: Soft Close Seat

Cistern: Dual Flush

WELS Rating: 4 Star -4.5Ltrs per Full Flush / 3Ltrs per Half Flush

Code: WCORBWF-U

Inlet: Universal

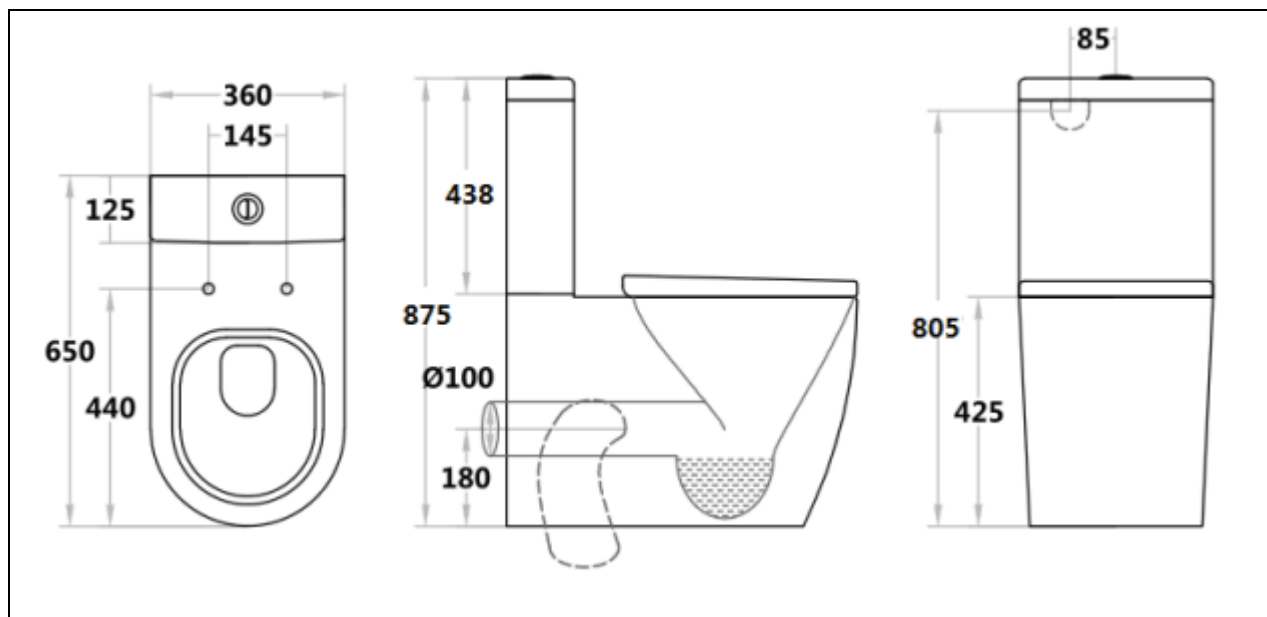
Size: 650x360x875

Trap: Suitable for S and P Trap Installations

Set Out: S-trap: 100-190mm
P-trap: 180mm
WC-Vario01 - Vario Bend 150-210mm (Additional Charges Apply)

Colour: White

Warranty 7 Year warranty on Ceramic & 5 Year on Geberit Flushing Valves (Conditions Apply)
12 Months Warranty on the Seat and Seat Fixings (Conditions Apply)



Notes:

- 1) Sterling Toilets distributed by New Horizon Building Products Pty Ltd
- 2) All dimensions are nominal due to the natural characteristics of the products
- 3) Product specifications subject to change without notice.

Installation Instructions

022

FULL WALL FACED TOILET SUITE

Installation of Toilet Seat and Cleaning

It is recommended that toilet seat and cover be installed after all trades are finished

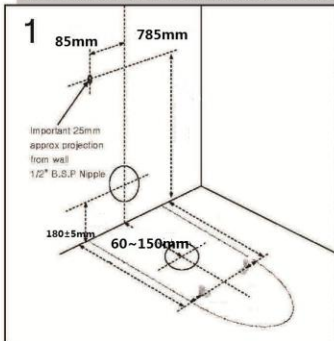
Note:

All measurements for roughing-in should be taken from finished wall/floor.
It is strongly recommended by the manufacturer that installation is carried out by a licensed plumber.

Cleaning Recommendations

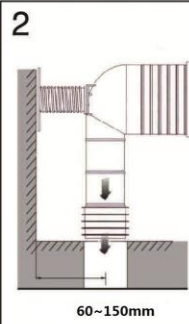
The high quality vitreous china finish on all sanitary ware can be maintained by simply using mild soapy water and wiping over. Sanitary ware should not be cleaned with abrasive materials e.g. steel wool/scourers. Do not use any corrosive or abrasive cleaning agents containing acids or scouring agents as this may lead to surface damage. Bleaches can also discolour seats and hinges and therefore should not be used. If your toilet has metal hinges they should only be cleaned with a mild liquid domestic cleaner, with soft soapsuds or Steel & Chrome cleaner. After cleaning, rinse with clean water and polish with a clean soft cloth.

INSTALLATION INFORMATION

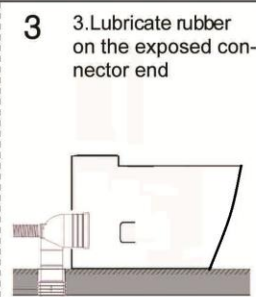


1. Rough in position of water inlet, waste outlet and floor fixing bracket holes. Ensure inlet connection extends 60mm from finished wall. Drill holes for floor fixing bracket then fix brackets to floor.

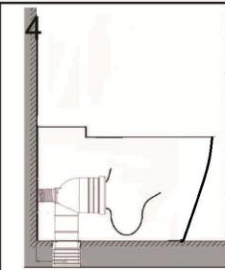
S-Trap



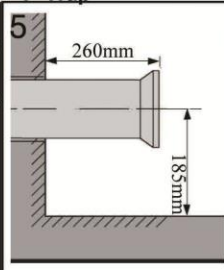
2. Lubricate the fins of the pan bend and position into waste pipe.



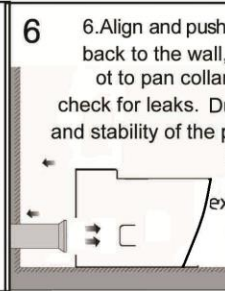
P Trap



4. Align and push fully assembled toilet back to the wall



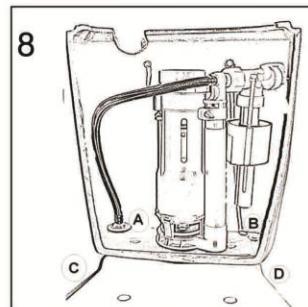
5. Set up waste pipe so that the end of the pan collar extends 260mm from the finished wall.



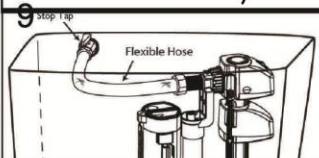
6. Align and push fully assembled toilet back to the wall, connecting pan spigot to pan collar. Bucket flush and check for leaks. Due to the design, weight, and stability of the pan and cistern a silicone adhesive is recommended and excepted by manufacturer for floor based Fixing.



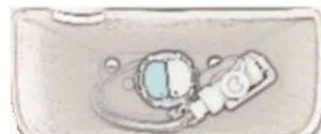
7. Place rubber seal into pan recess (**DO NOT USE SEALANT**). Place cistern screws into holes on the inside of cistern, making sure washers are located correctly. Gently lower cistern onto pan locating fixing screws into matching pan screw holes. Secure cistern to pan. Before tightened fully make sure cistern sits square and straight to pan.



8. IF BACK INLET, SKIP THIS STEP. Remove cap from cistern plug A or B at base cistern. Connect flexible hose to cistern plug A or B depending on location of stop tap. Complete stop tap connection to underside of cistern plug C or D. Fill cistern and ensure correct water level.



9. IF STEP 8 IS COMPLETED, SKIP THIS STEP. Fit off stop tap then connect rear water inlet valve to stop tap. Fill cistern and ensure correct water level.



Make sure inlet valve flow are free from side of cistern wall.
If inlet valve been jam on the cistern wall, it will cause inlet valve keep filling.

Note: Inlet valve can be adjusted if required.