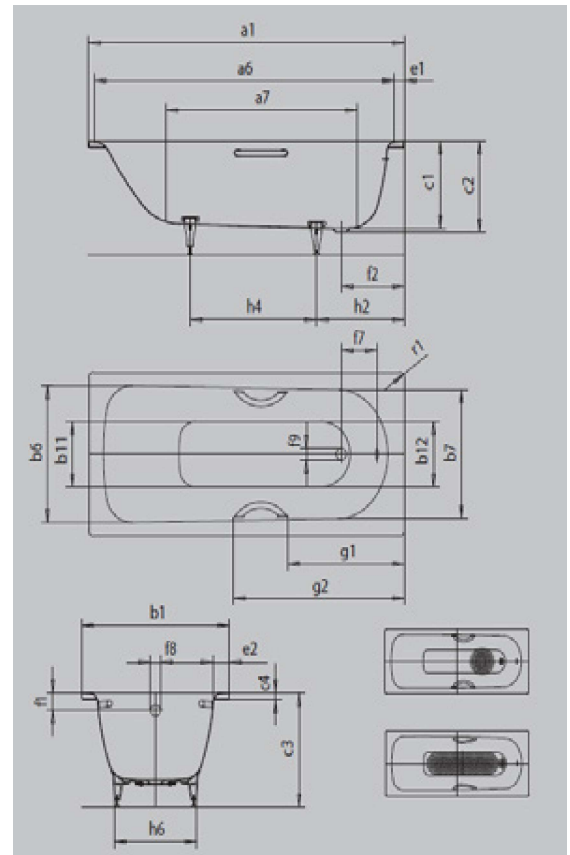


SANIFORM PLUS WITH OVERFLOW

- one-seater bath with waste at foot end
- classic four-cornered model
- made of KALDEWEI steel enamel
- designed by Phoenix Design
- **30 YEAR WARRANTY**



UNIVERSAL GRIP



SOUND WAVE

Model No.		360	361	362	372
External length	a ₁	1400	1500	1600	1600 mm
Internal length (top)	a ₆	1230	1330	1430	1430 mm
Internal length (bottom)	a ₇	850	950	1050	1050 mm
External width	b ₁	700	700	700	750 mm
Internal width (top)	b ₆ ; b ₇	550; 530	550; 530	550; 530	600; 580 mm
Internal width (bottom)	b ₁₁ ; b ₁₂	390; 350	390; 350	390; 350	440; 400 mm
Depth inside	c ₁	400	400	400	400 mm
Depth incl. waste hole	c ₂	410	410	410	410 mm
Height with feet	c ₃	545 - 560	545 - 560	545 - 560	545 - 560 mm
Height of rim	c ₄	32	32	32	32 mm
Width of rim (foot end; long side)	e ₁ ; e ₂	70; 75	70; 75	70; 75	70; 75 mm
Distance top edge to centre of overflow hole	f ₁	63	63	63	63 mm
Distance bath edge to centre of waste hole	f ₂	310	320	310	310 mm
Distance centre of waste hole to centre of overflow hole	f ₇	212	222	212	218 mm
Diameter of overflow hole	f ₈	∅ 52	∅ 52	∅ 52	∅ 52 mm
Diameter of waste hole	f ₉	∅ 52	∅ 52	∅ 52	∅ 52 mm
Distance bath edge (foot end) to start of grip	g ₁	484	534	584	584 mm
Distance bath edge (foot end) to end of grip	g ₂	759	809	859	859 mm
Distance foot end of bath edge to centre of foot	h ₂	455	445	450	445 mm
Distance between the feet	h ₄	445	555	600	640 mm
Width of feet max.	h ₆	380	380	380	430 mm
External radius	r ₁	23	23	23	23 mm
Water volume		67	82	93	107 mm
Net weight		39	41	45	46 mm
Diameter of anti-slip		∅ 288	∅ 288	∅ 288	∅ 288 mm
Full anti-slip		600 x 220	600 x 220	600 x 220	600 x 220 mm

Subject to technical alterations, tolerances and errors. Similar illustrations.
** 70 litres displacement on average.

KALDEWEI