

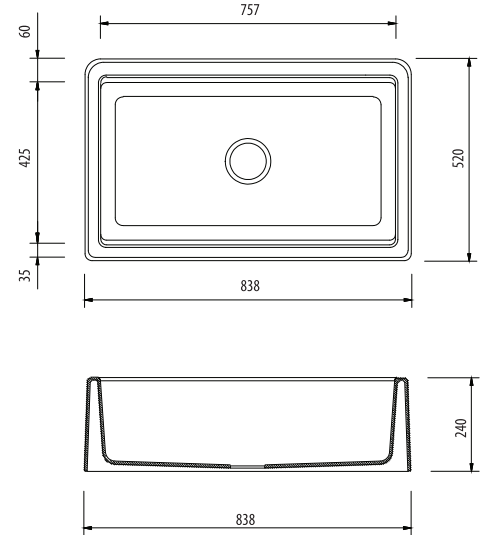
# Santorini

Italian made

All dimensions in mm

## ST-BL1584U

Black Farmhouse Undermount Sink



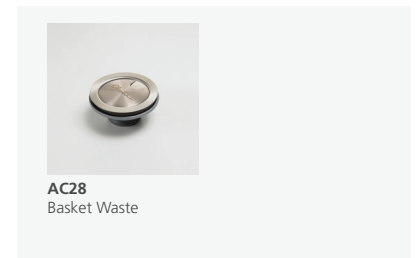
### REVERSIBLE SINK

Can be installed with a narrow front and edge radius of 18mm or wider front with a 40mm edge radius depending on the kitchen style.

### Specifications /

<b>Sink size</b>	838W x 520H mm
<b>Bowl size</b>	Farmhouse Bowl 757W x 425H x 240D / 74L
<b>Construction</b>	Moulded granite
<b>Material</b>	80% granite and quartz particles and 20% acrylic
<b>Installation</b>	Undermount
<b>Fixings</b>	Available on request
<b>Reversible</b>	Yes (for choice of sink front edge style)
<b>Min cabinet size</b>	900 mm
<b>Tap holes</b>	N/A
<b>Waste fittings</b>	1 x 90 mm basket waste included
<b>Overflow</b>	Not available
<b>Carton size</b>	945 x 665 x 330 mm
<b>Weight</b>	20.5 kg
<b>Warranty</b>	Lifetime manufacturer's warranty (refer to <a href="http://oliveri.com.au">oliveri.com.au</a> )
<b>Maintenance and care instructions</b>	Clean the sink regularly with warm water, a liquid detergent and a soft cloth. Do not use abrasive powders or creams and avoid chemically aggressive detergents. Generic stains should be removed immediately with very hot water and a cleaning product. For organic stains which are especially difficult to remove, it is recommended that you fill the sink with a highly diluted organic cleaner such as bleach and let stand overnight. The next morning, rinse with warm water and a soft cloth.

### Included accessories /



### Optional accessories /

