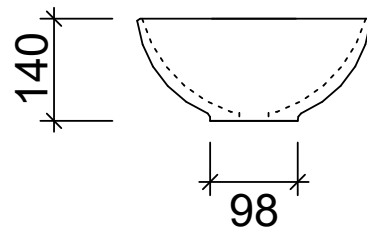
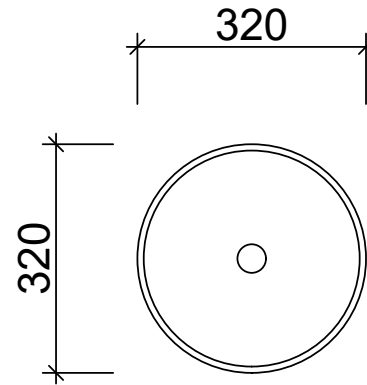


## Rose

**WG** White Gloss  
ROS-BS-320-WG-S

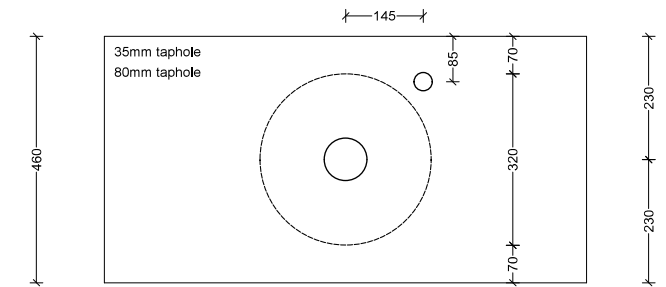


Above Counter

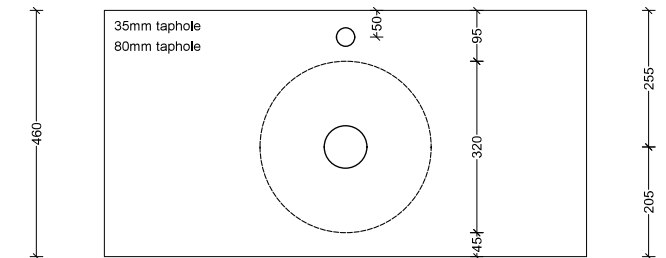


Drawings

### Taphole Offset



### Taphole Behind



Cut Out Specifications

**Material:** Ceramic  
**Approx Capacity:** 5.7L  
**Cut Out Size:** 80mm  
**Waste Size:** 32mm without overflow

**Note:** Due to the manufacturing process, ceramic basins will vary from their nominal stated sizes. Use the dimensions provided as a guide only. Waste not included. Refer to brochure for pricing.