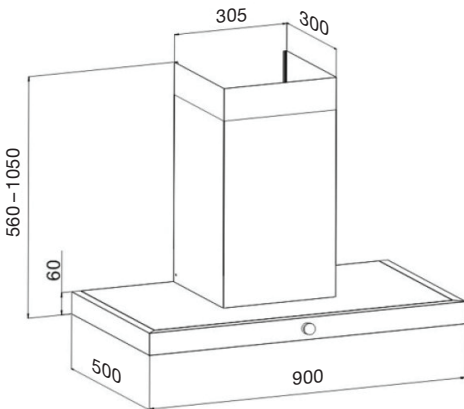


Wall Mounted Rangehood 90cm



Model: RH5CK91

- Stainless steel and Black Krystal glass construction
- 90cm wall-mounted rangehood
- Black glass control panel with illuminated control knob
- High Performance 900m³/h
- Noise 57dbA
- 3 extraction speeds
- Stainless steel baffle filters
- Two 1.5w LED lamps
- Optional carbon filters available for recirculating installation
- Order KDCF00B



These dimensions are provided as a general guide only and should not be used for designing or constructing cabinetry or for installation.

To obtain full installation instructions for this appliance go to kleenmaid.com.au and click on User Care Manuals, top right.



Fineline :0190879

J12434_01

Level 2, 204 Botany Road, Alexandria NSW, 2015
P: 02 9310 1207 • E: support@kleenmaid.com.au
www.kleenmaid.com.au

kleenmaid
The best you can own