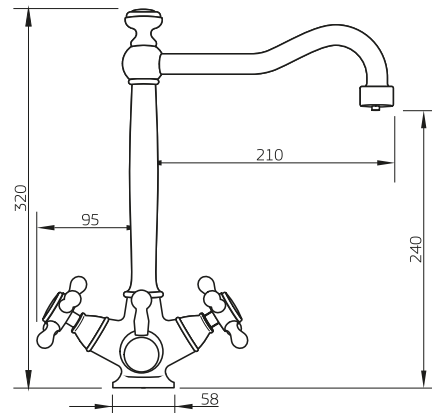


Z1



TRIPLA-BL3

**GENERAL INFO**

**DESIGNED FOR MAINS WATER**

**Quick-Twist Filter System with Tripla BL3 Mixer Tap**

A modern classic. It's easy to imagine the Tripla-BL3 in a country kitchen with its blend of traditional aesthetics and contemporary functionality. Matt black, heritage handles and striking lines give this tapware its vintage appeal, while its ability to dispense filtered water, as well as hot and cold tap water, meets today's demands for pure drinking water. The Tripla-BL3, like all Puretec Tripla taps, does not mix filtered and unfiltered water.

The Puretec Quick-Twist filter is easy to install, and will work in either a vertical or horizontal position. The system includes all necessary plumbing connections, and is specially designed to operate with Tripla tapware. This combination includes the Ultra Z filter and the Tripla-BL3 mixer.

**SPECIFICATIONS**

Model:	<b>Z1-BL3</b>
Filtration System:	<b>Ultra Z Filtration</b>
Replacement Cartridge:	<b>Z1-R</b>
Mixer Tap Style:	<b>3-Way Mixer Tap</b>
Mixer Tap Model	<b>TRIPLA-BL3</b>
WELS 3 Star Rated	<b>8 Litres/Minute</b>
Outlets:	<b>Hot / Cold &amp; Separately Filtered</b>
Min/Max Temperature:	<b>0° - 38°C (protect from freezing)</b>
Min/Max Pressure:	<b>172 - 500 kPa</b>
Micron Rating:	<b>0.1 Micron*</b>
Capacity:	<b>23,000 litres</b>
Tap Hole:	<b>33 mm Diameter</b>
WaterMark:	<b>AS/NZS 3497 Licence No. WM 74617 Australian Certification Services</b>
Warranty:	<b>6 years^</b>

**FEATURES & BENEFITS**

- Filtration down to 0.1 micron\*.
- DIY quick-twist cartridge change.
- Quick and easy installation.
- Reduces chlorine, pesticides, bad taste, odours, organic chemicals, bacteria, dirt, rust and 99.9% Giardia & Cryptosporidium cysts.
- Mounts horizontally or vertically - no shelf cutouts required.
- All plumbing fittings for standard installation included.
- WaterMark approved.

*Important Note: Use only genuine Puretec replacement cartridge. \*Micron rating is nominal. ^Tripla Tapware Warranty is 1 year parts and labour, plus 5 years parts only. Puretec Z1 Series Filter Systems Warranty is 1 year parts and labour, plus 9 years parts only and applies to Puretec Systems when used in conjunction with a Puretec filter cartridge. Excludes cartridge.*

For more information contact your local stockist or visit us at [puretecgroupp.com](http://puretecgroupp.com)  
Australia **1300 140 140** | New Zealand **0800 130 140**

**ADDITIONAL INFORMATION**

**Timeless Styling**

It's surprising how much difference the right tapware makes. It's not just a complementary addition, it's a genuine finishing touch. A subtle, yet unmistakable enhancement that draws together all the elements in your kitchen and entertaining areas, to create a graceful and cohesive living space.

**Hygienic Quick Cartridge Changes**

The valve-in-head design shuts the water off automatically means no mess, the cartridge can be easily replaced - just like changing a light globe. Enjoy water the way it should be, abundant, clear and beautiful tasting from your own water supply, any time of the day.

**Longer Filter Life**

Using the latest carbon briquette technology that gives up to 12 months filter life. It incorporates Puretec's long life filter technology, so you can go longer between filter replacements.

**ULTRA Z FILTRATION TECHNOLOGY**



**Stage 1**

- Removes particles.
- Clarifies the water.
- Removes sediment, rust, sand, silt & algae.

**Stage 2**

- Chlorine and chloramine reduction.
- Eliminates bad taste and odours.
- Chemical pesticides & sulphur reduction.

**Stage 3**

- Ultra Z Filtration membrane finely filters to 0.1 micron\*.
- Provides protection against cysts and bacteria, such as E. coli.
- Removes the finest particles.

Protection from



Cysts



Rust



Sand & Silt



Pesticides



Sulphur



Algae