

ILVE COMMERCIAL MULTI-RESIDENTIAL & HOME BUILDER PRODUCT RANGE

600TCBV 60CM ELECTRIC BUILT-IN OVEN



600TCBV BUILT-IN ELECTRIC OVEN

FEATURES

- Single fan heating providing even heat distribution with reduced hot spots and consistent heat
- S-Move soft and gentle closing door hinges
- Touch control TFT display with brightness adjustment
- Pre programmable timer with 3 beeper level options
- Accurate digital thermostat control: 0°C-250°C

FINISH

- Black Glass

SAFETY

- Safe touch BIO-Safe triple glazed glass door

FUNCTIONS

- Select 14 specialised manual expert modes
- CHEF-Assist with over 35 preset recipes with automatic cooking time and weight preset for a variety of family meals
- Save up to 100 of your favoured most used recipes

CLEANING

- ULTRA-Clean smooth black cavity
- easy-clean removable inner glass & door

CAPACITY & INTERIOR

- Oven cavity size (cm): 46w x 41.5d x 35.2h

ACCESSORIES

- 1 x set of telescopic runners – with 75% extraction
- 2 x oven racks and 1 x grill pan (baking dish) set

TECHNICAL INFORMATION

- 3.5kW/hr total electrical consumption
- 15 amp electrical connection, plug & lead
- Size: 594W x 594H x 535D + 21mm fascia



Standard Option - Oven Colour

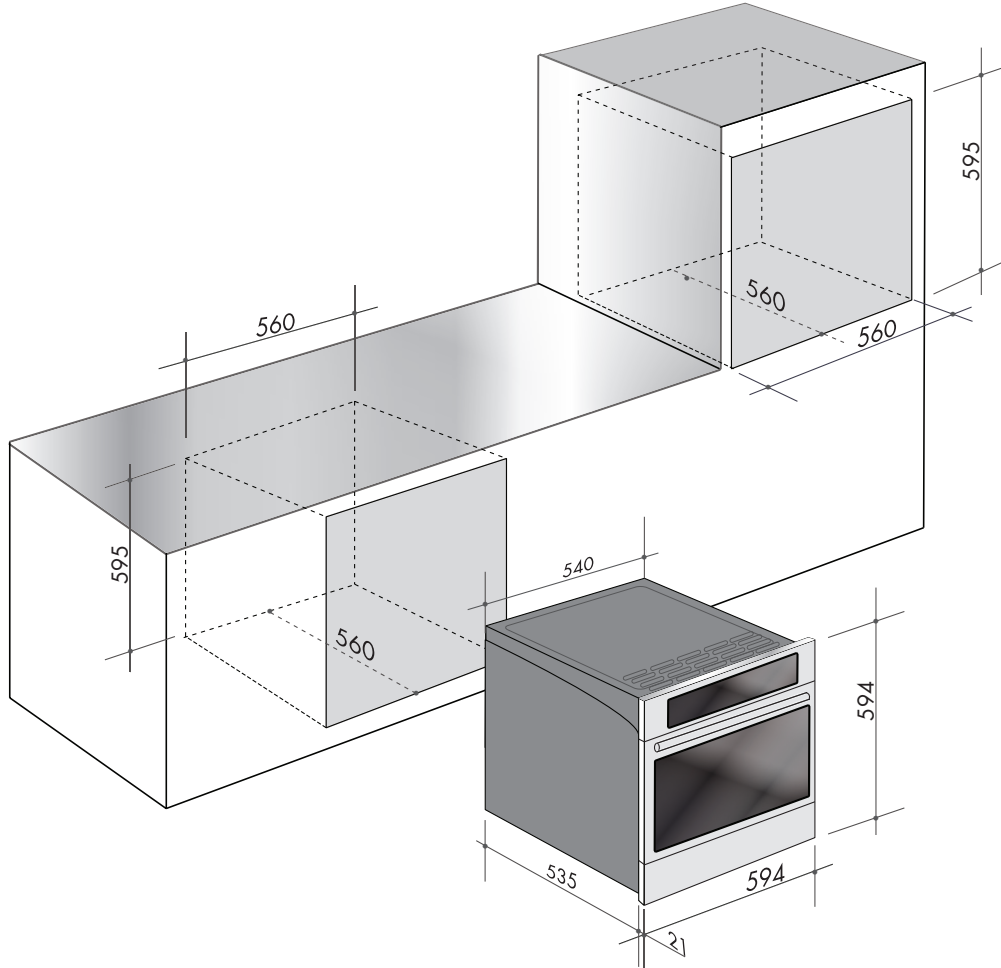


Stainless Steel Black Glass Grey Glass

ILVE COMMERCIAL

MULTI-RESIDENTIAL & HOME BUILDER PRODUCT RANGE

600TCBV 60CM ELECTRIC BUILT-IN OVEN



Oven

EAN code: 9341584039200 (600TCBV)

Product Size: 594W x 594H x 535D + 21mm fascia

Total Electrical Load: 3.5kw/h

NB: drawings are not to scale —
they are to be used as a guide only

FOLLOW US:



/ilve_appliances/



/ILVEappliances



/ILVE_appliances



/ILVEappliances

Page 2/2
08052020

Australia National Telephone Number 1300 MYILVE (694 583) New Zealand Telephone Number 0508 458 369
ILVE showrooms are open daily from 9am-5pm and Saturdays 10am-4pm

ilve.com.au

NSW & ACT (Head Office)

48-50 Moore Street
Leichhardt
F 02 8569 4699

VIC & SA

1211 Toorak Road
Camberwell
F 03 9809 2155

QLD

1/42 Cavendish Road
Coorparoo
F 07 3397 0850

WA & NT

Unit 10/55 Howe Street
Osborne Park
F 08 9201 9188

New Zealand

PO Box 11.160
Sockburn Christchurch
F 03 344 5906