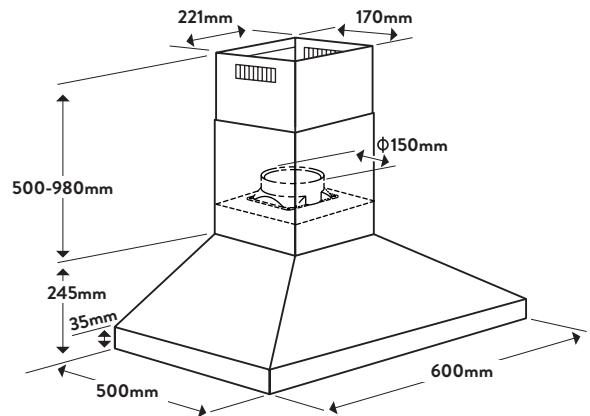




Dimensions/Weight

Overall Dimensions (mm):	1225(max h) x 600(w) x 500(d)
Chimney Height (mm):	500 - 980
Duct Diameter (mm):	150mm
Weight:	10kg



Technical Details

Style

Rangehood Type:	Canopy
Category Size:	60cm

Functionality

Extraction Type:	Ducted or Recirculating
Extraction Rate:	705m ³ /hr Net 1000m ³ /hr Gross
Number of Motors:	1
Watts of Motor:	190w
Speeds:	3
Filtration:	2 x Aluminium Mesh
Lights:	2 x 2W LED
dBA Rating:	54-61dBA

Accessories

Charcoal Filter:	Included (ORCF110)
Chimney Extension:	Optional OREF782A

Installation

Maximum Current:	10amps 3 Pin Plug
Connection:	220 - 240V, 50Hz
Installation Type	Wall Mounted
Warranty:	24 Months Parts & Labour

Aesthetics

Finish:	Brushed Stainless Steel
Controls:	Push Buttons

Key Features



Charcoal Filters

Charcoal filters do a superior job of cleaning the air before it re-enters the kitchen, ensuring your kitchen will be smelling fresh.



LED Light

LED lights use a small amount of energy, generate little heat and last a long time. Not only are they cost effective, they will ensure your cooktop is well lit.



Recirculating

Recirculating rangehoods will draw the odorous air in, clean through the charcoal filters and then return the clean air to the room. Recirculating install allows greater install flexibility if you are unable to duct to the atmosphere.

Customer Care

T: 1300 11 4357
E: sales@residentiagroup.com.au

NB: Drawings are not to scale - they are to assist only.
WARNING: technical specifications and product sizes can be varied by the manufacturer without notice. Cutouts for appliances should only be by physical product measurements.
The above information is indicative only.