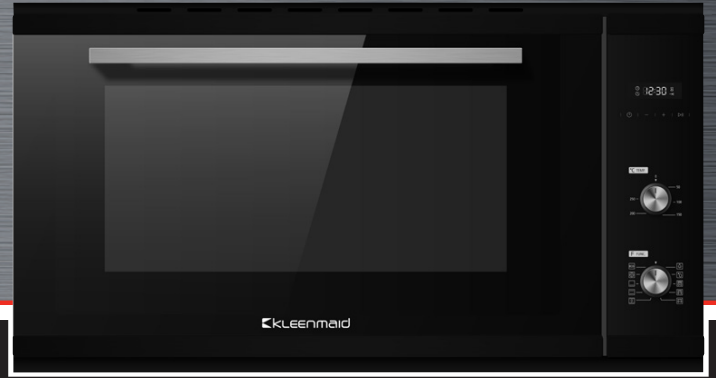
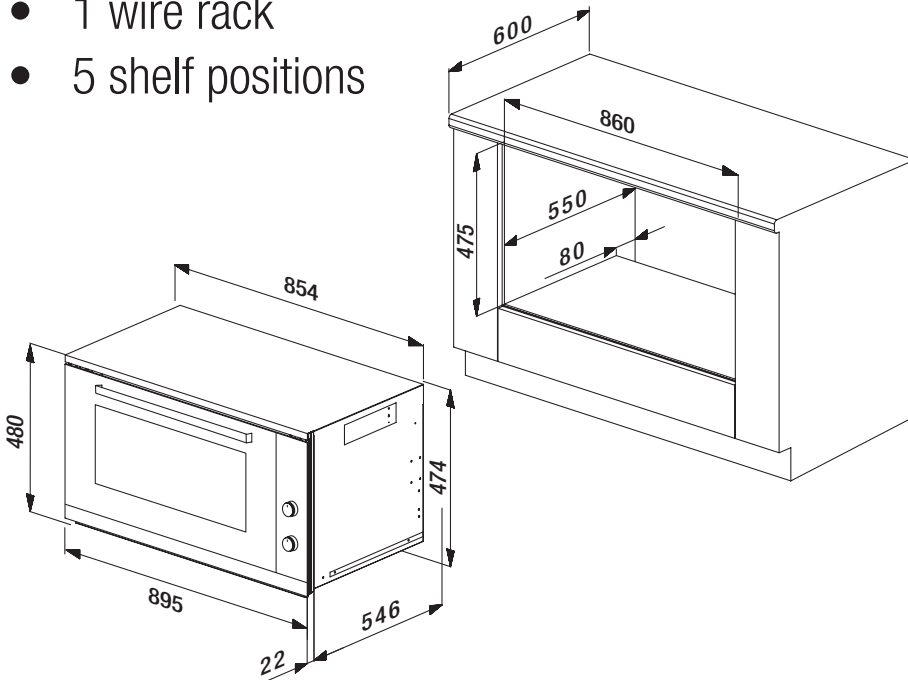


Multifunction Oven – XL 105 Litre

Model: OMF9411



- 10 Functions
- Electronic timer
- Push pull knobs
- Dual mount lighting
- Removable door
- Tangential cooling ventilation
- Triple glazed door
- Full glass inner door
- 1 fully extendable telescopic guide
- 1 baking tray
- 1 wire rack
- 5 shelf positions



Enamel



Traditional cooking:
upper and lower
heating elements
Pizza and Bread



Pastry:
lower heating element



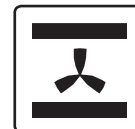
THERMAflow®



Dual mount lighting



Baking: fan forced



Intensive cooking:
upper + lower heating
elements + fan



Defrosting: fan



Full Grill



Double Grill



Gratin:
ventilated grill



Eco Fan Forced



QUALITY ASSURED

To obtain full installation instructions for this appliance go to kleenmaid.com.au and click on User Care Manuals, top right.

Fineline :0015272

J12007_01

Level 2, 204 Botany Road, Alexandria NSW, 2015
P: 02 9310 1207 • E: support@kleenmaid.com.au
www.kleenmaid.com.au

KLEENMAID
The best you can own