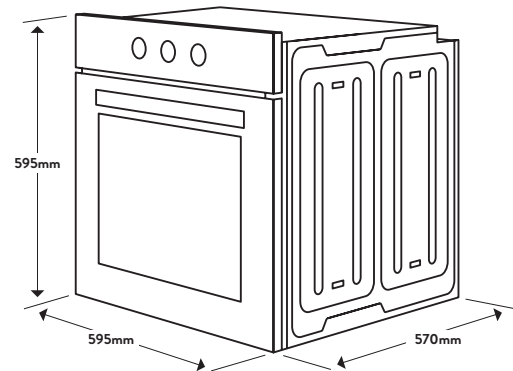




Dimensions/Weight

Overall Dimensions (mm): 595(h) x 595(w) x 570(d)
 Flush Mount Cut-Out (mm): 598(h) x 598(w)
 Proud Mount Cut-Out (mm): 580(h) x 580(w)
 Weight: 39kg



Technical Details

Style

Oven Type: Standard
 Category Size: 60cm
 Capacity: 90 Litres

Functionality

Oven Functions: Fan Forced
 Half Grill
 Grill
 Defrost
 Conventional
 Conventional + Fan Assist
 Max Cooking Temperature: 250°C
 Clock: Yes
 Timer: Fully Programmable
 Number of Shelf Positions: 12
 Light: Yes

Features & Accessories

Accessories: 1 x Chrome Wire Shelf
 1 x Shallow Baking Tray with Grill Insert
 1 x 80mm Deep Baking Dish
 Easy View Door: Yes

Installation

Maximum Current: 15amps
 Connection: 240V, 50Hz
 Installation Type: Hardwired; Built-in, Under Bench or Wall Mounted

Made In: Europe
 Warranty: 24 Months Parts & Labour

Customer Care

T: 1300 11 4357
 E: sales@residentiagroup.com.au

Aesthetics

Finish: Stainless Steel with Black Glass
 Controls: 2 Knob Controls & Touch Controls
 Door: Top Opening Double Glazed

Key Features

90L **90L Capacity**
 More oven capacity to suit the largest of families.

Multifunction
 This oven has a bottom, top and main element for more versatility and allows for better results in difficult dishes such as pastries, pies and pizzas.

EUR **Made in EU**
 Built to the highest quality and standards, made in Europe is the benchmark.

NB: Drawings are not to scale - they are to assist only.
 WARNING: technical specifications and product sizes can be varied by the manufacturer without notice. Cutouts for appliances should only be by physical product measurements.
 The above information is indicative only.

