

York Shower Mixer With Divertor

SPECIFICATION

PRODUCT CODE	YSW6921-09A
WATERMARK LICENSE	WM-060073
TEMPERATURE RATING	MIN 1°C-MAX 75°C
PRESSURE RATING	MIN 150KPa-MAX 500KPa

FINISH

	CHROME WITH WHITE PORCELAIN LEVER NR692109a01CH
	CHROME WITH METAL LEVER NR692109a02CH
	CHROME WITH BLACK PORCELAIN LEVER NR692109a03CH
	MATTE BLACK WITH WHITE PORCELAIN LEVER NR692109a01MB
	MATTE BLACK WITH METAL LEVER NR692109a02MB
	AGED BRASS WITH WHITE PORCELAIN LEVER NR692109a01AB
	AGED BRASS WITH METAL LEVER NR692109a02AB

MAINTENANCE AND CARE

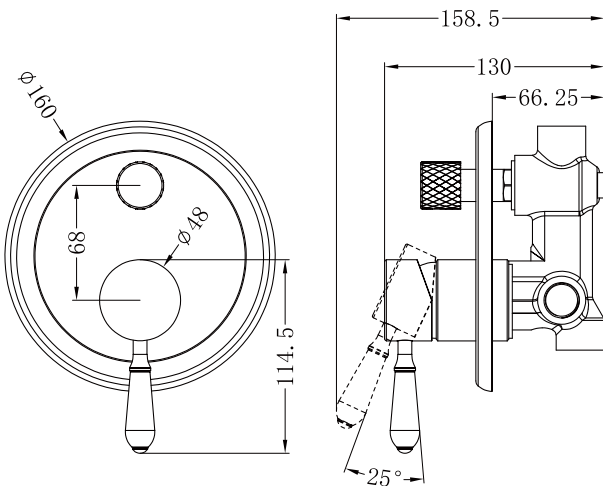
All surfaces should be cleaned with mild liquid detergent or soap and water.

Do not use cream cleaners or citrus based cleaning products, as they are abrasive.

Use of unsuitable cleaning agents may damage the surface. Any damage caused in this way will not be covered by warranty

PACKING INCLUDES

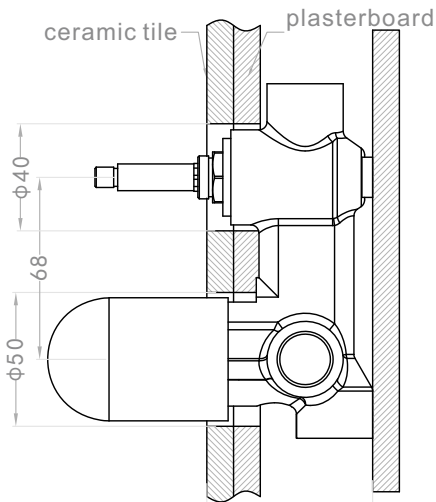
- 1x body set
- 1x handle
- 1x plate
- 1x diverter
- 1x accessories pouch



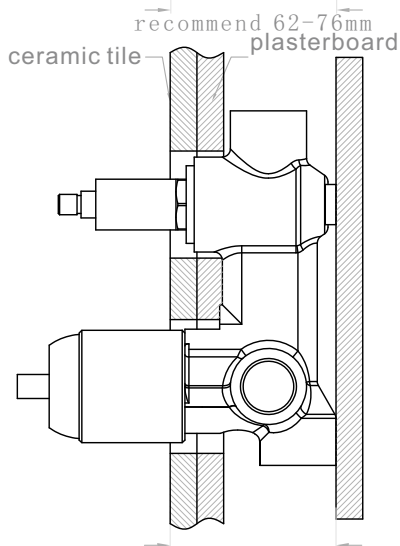
Dimensions are nominal measurements only.



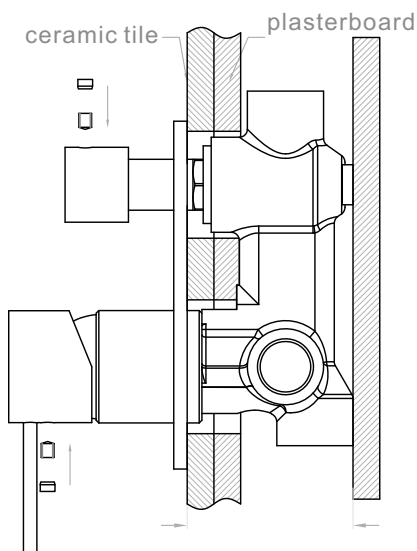
Installation Instruction



1. Fix body on noggin and ensure installation depth is 62-76mm from noggin to ceramic tile.
2. Connect cold water hose and hot water hose and test for leakage.
3. Install plasterboard and ceramic tile after drilling a $\phi 50$ and a $\phi 40$ hole according to the right drawing.



4. Remove the plastic sleeve and install sleeve of diverter.



5. Install plate, handle and knob.