

# MARIS

MRG210-72



MRG210-72 MB



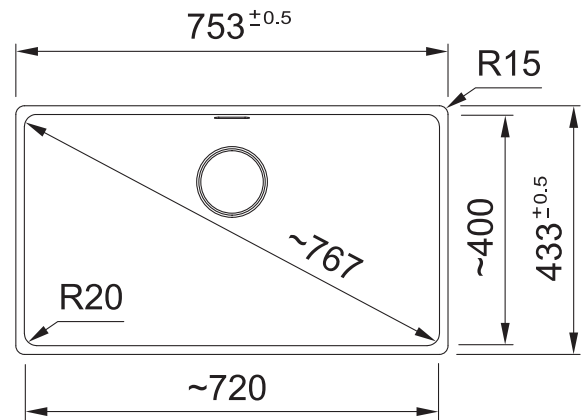
MRG210-72 ON



MRG210-72 PW



MRG210-72 SG



## PRODUCT INFORMATION

<b>Installation</b>	Flushmount
<b>Dimensions</b>	753 x 433mm
<b>Cabinet Base</b>	800mm
<b>Bowl Size</b>	720 x 400 x 200mm / 57L
<b>Bowl Radius</b>	20mm
<b>Cut-Out Size</b>	Template
<b>Cut-Out Template</b>	Yes
<b>Waste Outlet</b>	Semi Integrated Waste
<b>Overflow</b>	Hidden
<b>Tap Holes</b>	No
<b>Remote Waste</b>	No
<b>Finish</b>	Fragranite
<b>Warranty</b>	50 Years

**NOTE:** Cut-out dimensions are a guide only, please use the actual sink as your template.

## FEATURES & BENEFITS



Food Preparation Centre



Fragranite



Hidden Overflow



Sanitized@ Surface

## ALL-IN ACCESSORIES (AVAILABLE)

**PACK 1**

- Telescopic Bridge
- Chopping Board
- Small Strainer Bowl
- Small Storage Box
- Bamboo Lid

**PACK 2**

- All Accessories Included In Pack 1
- Silicon Drainer Mat

**PACK 3**

- All Accessories Included In Pack 2
- Large Strainer Bowl
- Storage Container

**ADDITIONAL ACCESSORIES**

— Included Accessory  
- - - Available Accessory



**DT651**  
Extension Drainer



**DB448**  
Drainer Basket



**RM44**  
Rollamat

BARE SINK OPTION AND SOME SINK & TAP PACKAGES DO NOT INCLUDE ACCESSORIES. PLEASE CHAT TO YOUR SALES CONSULTANT FOR FURTHER INFORMATION.

LAST UPDATED: 29 MARCH 2023

