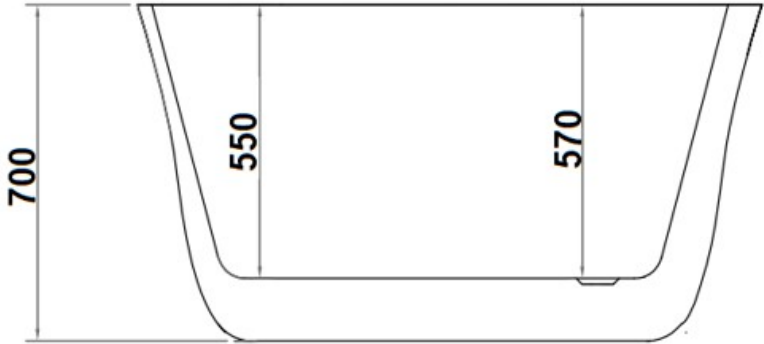
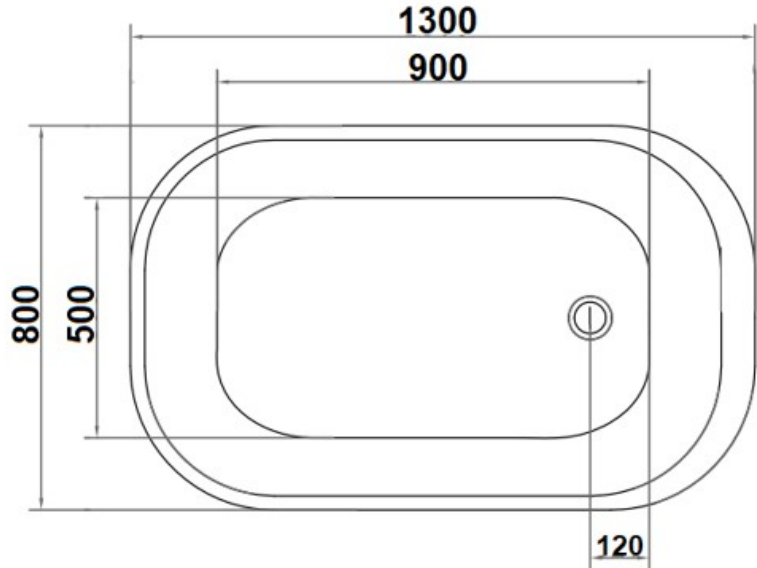


CODE:	CJ-CLAR-13
SIZE:	1300 x 800 x 700MM
TYPE:	FREESTANDING BATHTUB
CONFIGURATION:	N/A

**JNK**

BATHROOM, PLUMBING  
& KITCHEN SUPPLIES



NB: Drawings are not to scale—they are to assist only. All measurements are nominal and are subject to change.