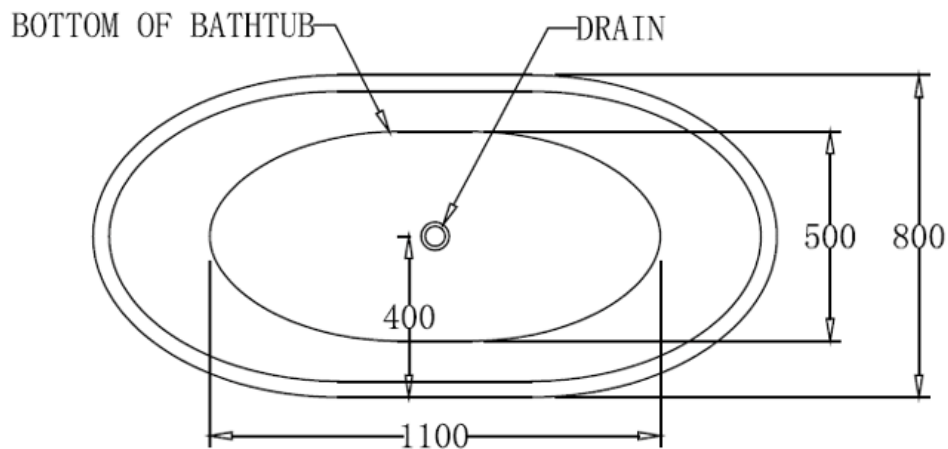
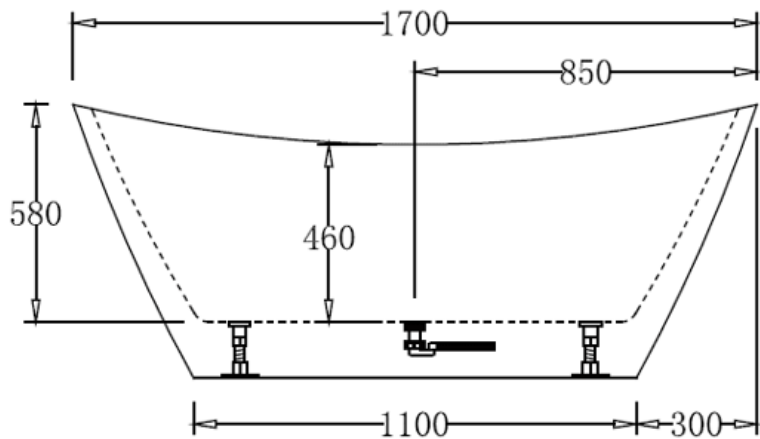


|                |                      |
|----------------|----------------------|
| CODE:          | CJ-BATH-9            |
| SIZE:          | 1700 x 800 x 680MM   |
| TYPE:          | FREESTANDING BATHTUB |
| CONFIGURATION: | N/A                  |

**JNK** | BATHROOM, PLUMBING  
& KITCHEN SUPPLIES



NB: Drawings are not to scale—they are to assist only. All measurements are nominal and are subject to change.