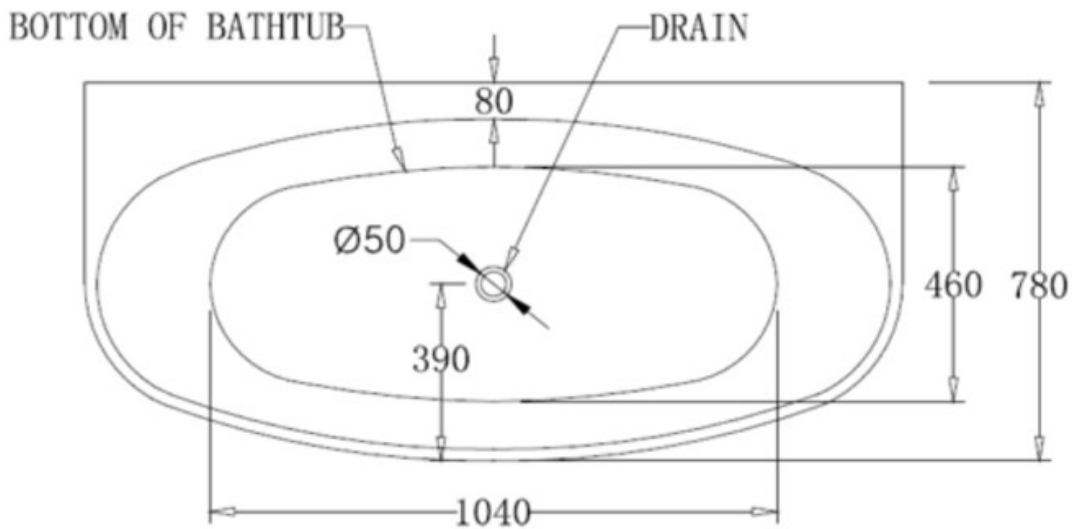
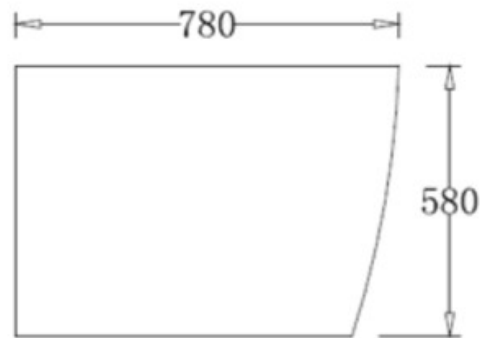
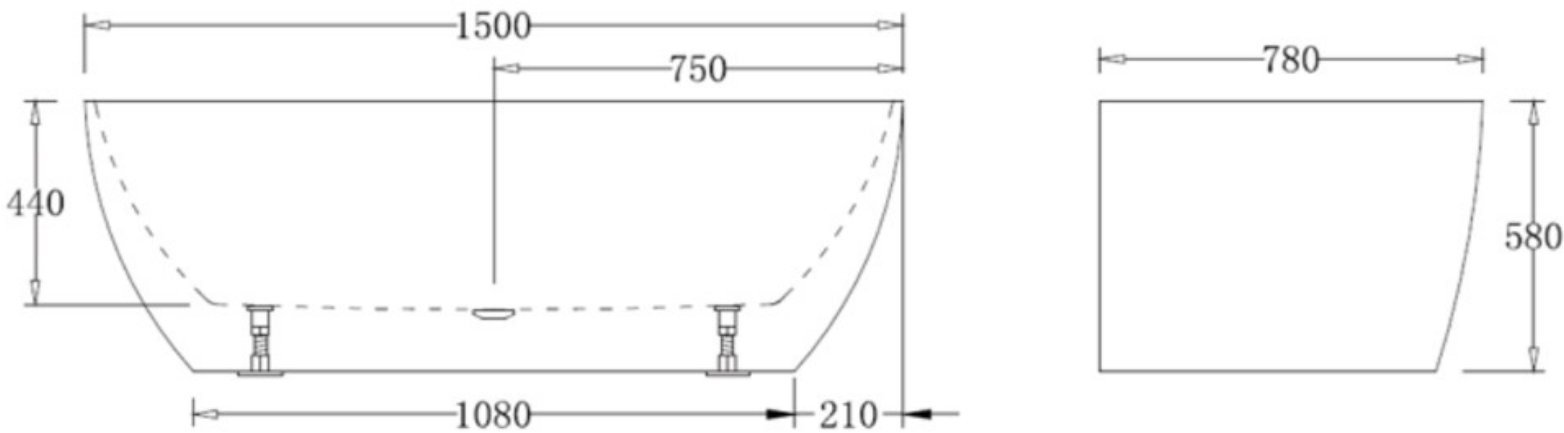


CODE:	CJ-BATH-19
SIZE:	1500 x 780 x 580 mm
TYPE:	BACK TO WALL
CONFIGURATION:	-

JNK | BATHROOM, PLUMBING
& KITCHEN SUPPLIES



NB: Drawings are not to scale—they are to assist only. All measurements are nominal and are subject to change.