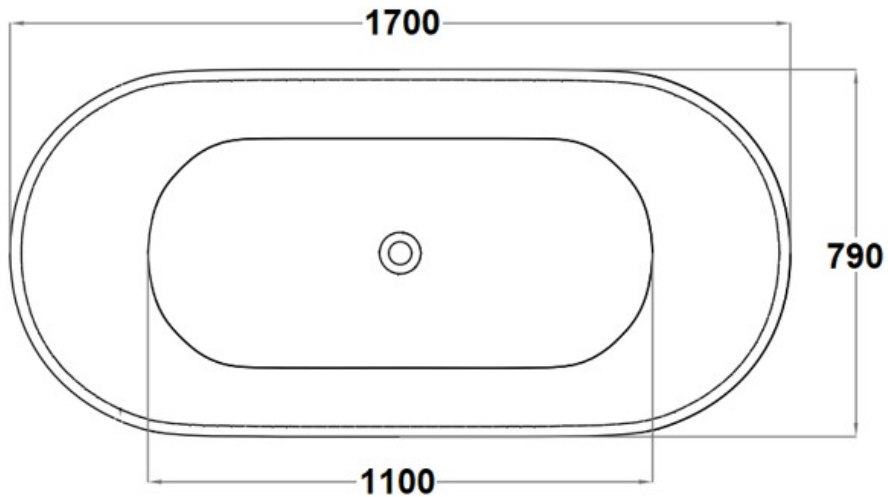
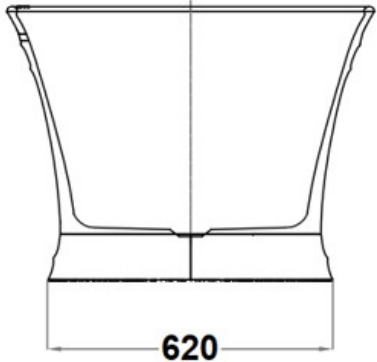
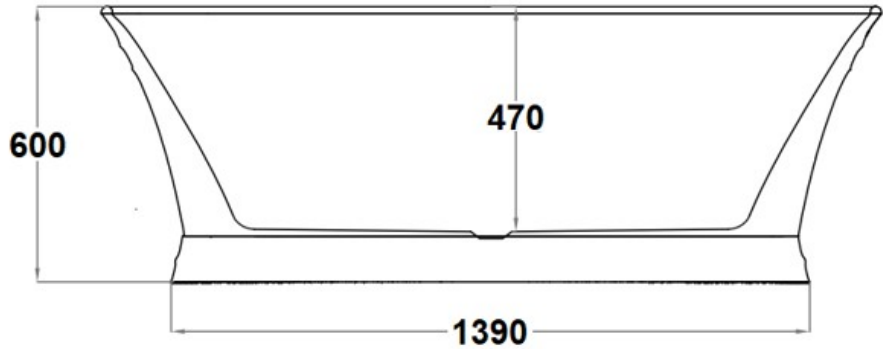


CODE:	CJ-BAL-17
SIZE:	1700 x 790 x 600MM
TYPE:	FREESTANDING BATHTUB
CONFIGURATION:	N/A

JNK

BATHROOM, PLUMBING
& KITCHEN SUPPLIES



NB: Drawings are not to scale—they are to assist only. All measurements are nominal and are subject to change.