

MODEL CAGH6000B



60CM BUILT-IN GAS COOKTOP



24 MONTH WARRANTY



GAS BURNERS



WOK BURNER



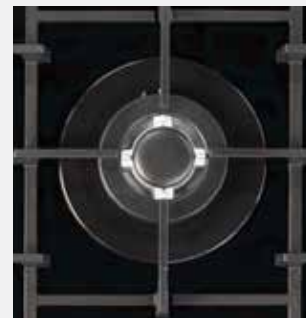
FLAME FAILURE DEVICE



INTEGRATED IGNITION

PRODUCT INFORMATION

- top mount
- black schott glass
- 4 gas burners, including wok
- x2 sets of knobs supplied to suit all Artusi models
- cast-iron trivets and burner caps
- Flame Failure device fitted to each burner
- automatic electronic ignition
- AGA approved (Australian Gas Association)
- 1x wok: **13 MJ/H 3.6 KW/HR**
- 1x auxiliary: **4 MJ/H 1.1 KW/HR**
- 2x semi-rapid: **6 MJ/H 1.6 KW/HR EA**
- TOTAL: **29 MJ/H 8.0 KW/HR**
- LPG and natural jets supplies
- 10 AMP plug & lead supplied, GPO required



EAN 9347777002419

AR15012019

DISCLAIMER

Eurolinx PTY LTD, is continually seeking ways to improve the design specifications, aesthetics and production techniques of its products. As a result alterations to our products and designs take place continually. Whilst every effort is made to produce information and literature that is up to date, this brochure should not be regarded as an infallible guide to the current specifications, nor does it constitute an offer for the sale of any particular product. Product dimensions indicated in our literature is indicative only. Actual product only should be used to define dimension cut outs. Distributors, and retailers are not agents of Eurolinx and are not authorized to bind Eurolinx by any express or implied undertaking or representation.

FOLLOW US ON:  [instagram.com/artusi_appliances](https://www.instagram.com/artusi_appliances)

 www.linkedin.com/company/eurolinx-pty-ltd-t-a-llve/

Australia National Telephone Number 1300 (694 583) New Zealand Telephone Number 64 3 344 5913
 Artusi showroom hours: Tuesday to Friday - 9am-5pm, Saturday - 10am-4pm, Sunday and Monday - closed
 * Melbourne showroom hours: Tuesday to Saturday - 10am-4pm

[artusi.com.au](https://www.artusi.com.au)

NSW & ACT (Head Office)
 48-50 Moore Street
 Leichhardt
 F 02 8569 4699

VIC & SA
 1211 Toorak Road
 Camberwell
 F 03 9809 2155

QLD
 1/42 Cavendish Road
 Coorparoo
 F 07 3397 0850

WA & NT
 Unit 10/55 Howe Street
 Osborne Park
 F 08 9201 9188

TAS
 3 Pear Avenue
 Derwent Park
 P 03 6272 7386

New Zealand
 PO Box 11,160
 Sockburn Christchurch
 F 03 344 5906

MODEL CAGH6000B



60CM BUILT-IN GAS COOKTOP



24 MONTH
WARRANTY



GAS
BURNERS



WOK
BURNER

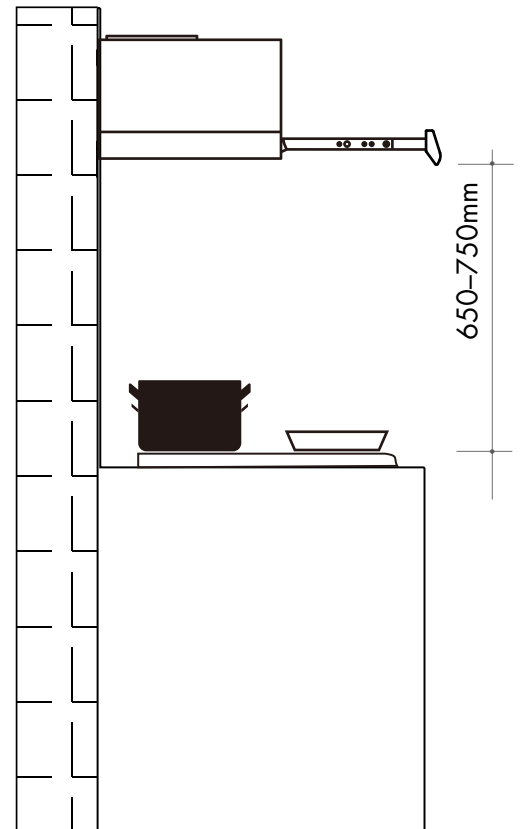
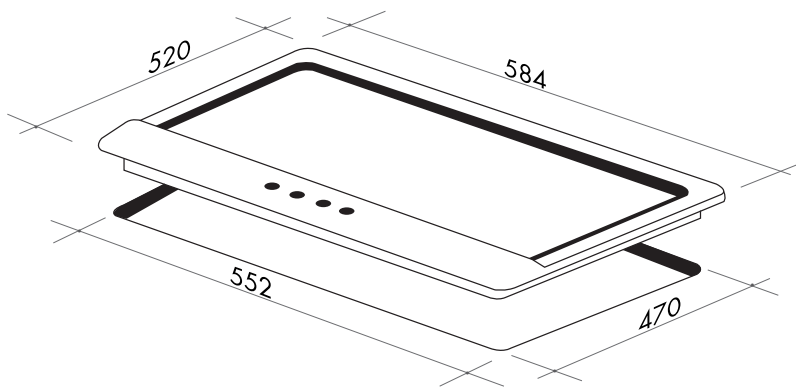


FLAME FAILURE
DEVICE



INTEGRATED
IGNITION

TECHNICAL DIAGRAM



NB: drawings are not to scale — they are to be used for detailed installation instructions, please refer to user guide.

EAN 9347777002419


AR15012019

DISCLAIMER

Eurolinx PTY LTD, is continually seeking ways to improve the design specifications, aesthetics and production techniques of its products. As a result alterations to our products and designs take place continually. Whilst every effort is made to produce information and literature that is up to date, this brochure should not be regarded as an infallible guide to the current specifications, nor does it constitute an offer for the sale of any particular product. Product dimensions indicated in our literature is indicative only. Actual product only should be used to define dimension cut outs. Distributors, and retailers are not agents of Eurolinx and are not authorized to bind Eurolinx by any express or implied undertaking or representation.

Technical Information CAGH6000B Built-in Gas Cooktop
Total gas consumption (natural gas): 29MJ/h / 8.0 kW/hr
Size: 584 x 510 x 100 CUTOUT: 552 x 470
Electrical Connection: 220-240V/50Hz
10 AMP plug & lead supplied, GPO required

FOLLOW US ON:  [instagram.com/artusi_appliances](https://www.instagram.com/artusi_appliances)

 www.linkedin.com/company/eurolinx-pty-ltd-t-a-lve/

Australia National Telephone Number 1300 (694 583) New Zealand Telephone Number 64 3 344 5913
Artusi showroom hours: Tuesday to Friday - 9am-5pm, Saturday - 10am-4pm, Sunday and Monday - closed
* Melbourne showroom hours: Tuesday to Saturday - 10am-4pm

[artusi.com.au](https://www.artusi.com.au)

NSW & ACT (Head Office)
48-50 Moore Street
Leichhardt
F 02 8569 4699

VIC & SA
1211 Toorak Road
Camberwell
F 03 9809 2155

QLD
1/42 Cavendish Road
Coorparoo
F 07 3397 0850

WA & NT
Unit 10/55 Howe Street
Osborne Park
F 08 9201 9188

TAS
3 Pear Avenue
Derwent Park
P 03 6272 7386

New Zealand
PO Box 11,160
Sockburn Christchurch
F 03 344 5906