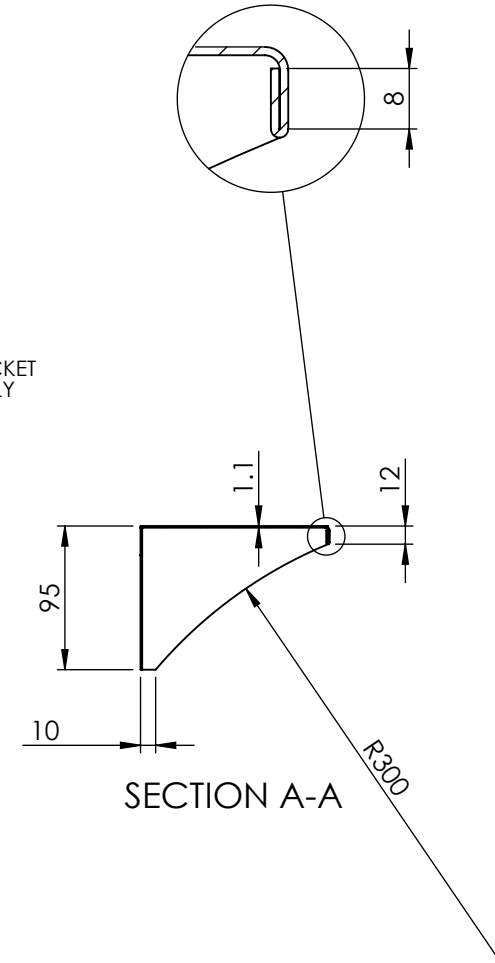
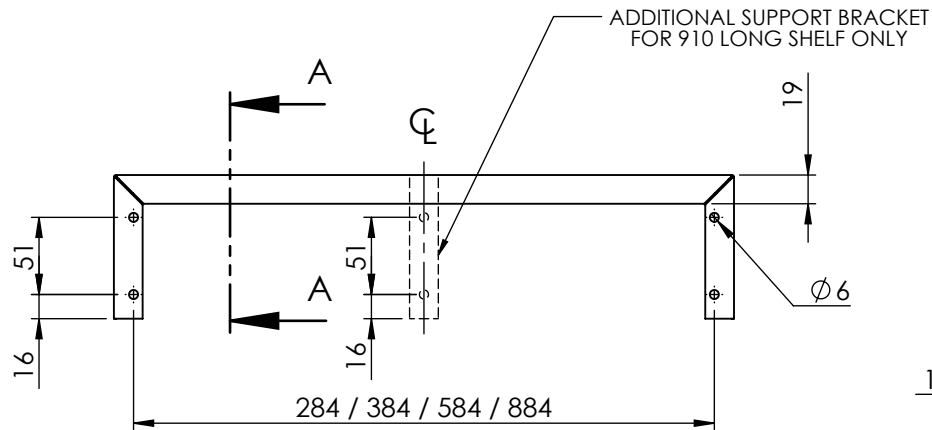
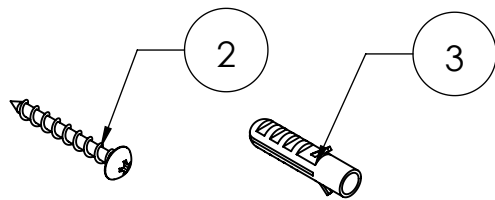


310 / 410 / 610 LONG



AVAILABLE LENGTHS				
PART NO.	C11730	C11740	C11760	
L	310	410	610	

ITEM NO.	PART NUMBER	DESCRIPTION	QTY.	DRAWN	B DOOLAN	18/03/2014	CAT NO:	REV: A	
				CHK'D	U WAUGE	18/03/2014			C11730-C11740-C11760
1	SHELF	STAINLESS STEEL SHELF	1	MATERIAL	304 STAINLESS STEEL			DESCRIPTION: STAINLESS STEEL SHELF	
2	SDH-5-43.5	SCREW-DOME HEAD-5MMX43.5MM	4 OR 6	FINISH	BRUSHED SATIN				
3	WP-8-38	WALL PLUG-8MMX38MM	4 OR 6	WEIGHT					
				 www.emro.com.au			<small>This drawing has been made with due care and attention however Emro do not accept any responsibility for variations. This drawing and information contained is the property of Emro and cannot be used without their consent.</small>		