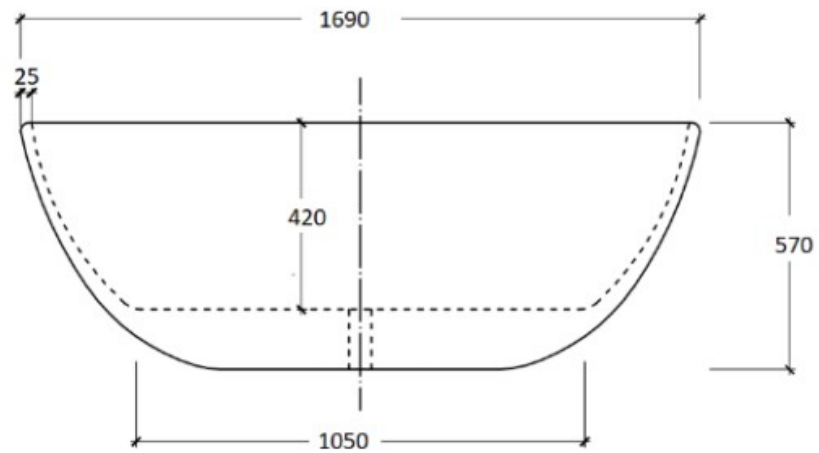
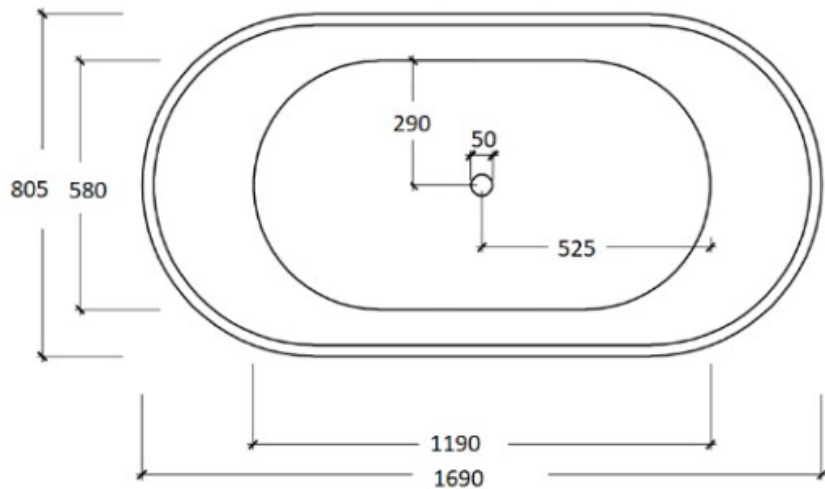


CODE:	BT-EL1700 / BT-EL1700M
SIZE:	1690W X 570H X 805D mm
TYPE:	FREESTANDING BATH
CONFIGURATION:	-

JNK | BATHROOM, PLUMBING
& KITCHEN SUPPLIES



NB: Drawings are not to scale—they are to assist only. All measurements are nominal and are subject to change.