

4 IN 1 TAP

BOILING, CHILLED, HOT AND COLD MAINS

BOILING CHILLED
FILTERED

HOT & COLD MAINS
UNFILTERED

ORDER CODES

CHROME	4IN1BCCH
MATTE BLACK	4IN1BCMB
BRUSHED NICKEL	4IN1BCBN
GUN METAL GREY	4IN1BCGMG
BRUSHED BRASS GOLD	4IN1BCBBG

The Peppy Tap 4 in 1 feature; boiling filtered water, chilled filtered water, hot and cold mains all in the convenience of 1 tap.

The Boiler Control Centre has 7 preset temperatures. 75, 95, 90, 96, 97 and 98 degrees with a 2.4L tank. The boiler is an open vent design which means no grates are needed on the cabinetry. Boiler is certified to RCM standards and has passed all Watermark testing.

The Chiller can be set from 4 degrees to 14 degrees in single degree increments. The chiller utilises R600A refrigerant which is non ozone depleting.

The filter has been tested to NSF standard 42 and watermark.

CAPACITY: RESIDENTIAL



Watermark License: WMKA:26794

WELS Registration Number: 1998

WELS Rating 5 stars: 5L per minute

Registration Number: 4IN1BCCH

Recommended lowest water pressure: 150 Kpa

Recommended max water pressure: 500 Kpa

Temperature rating: 1-98 Degrees Celsius

Construction: Brass

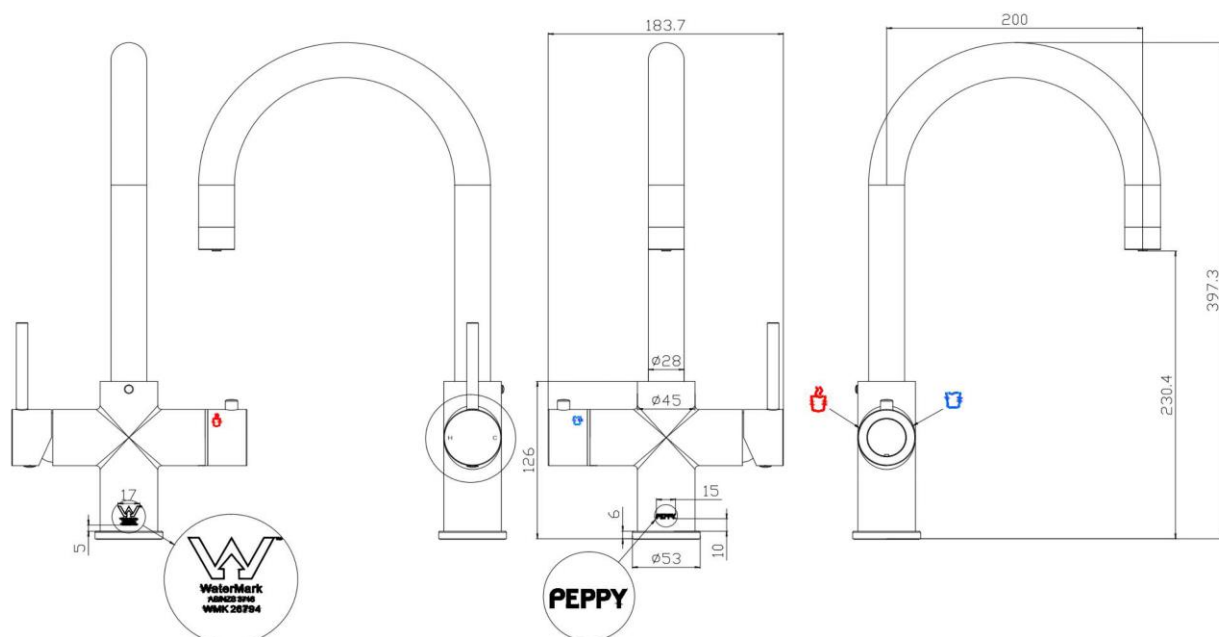
Cartridge size: 35mm

Warranty: 5 Years (appliance warranty 36 months, plus an additional 24 months tank warranty)

Installation Requirements.

Installation of your Peppy Tap 4 in 1 appliance must be carried out by a registered plumber, observing all national and local regulations. Mains electrical (a dedicated 10AMP GPO) and drinking water connections, plus wastewater drainage.

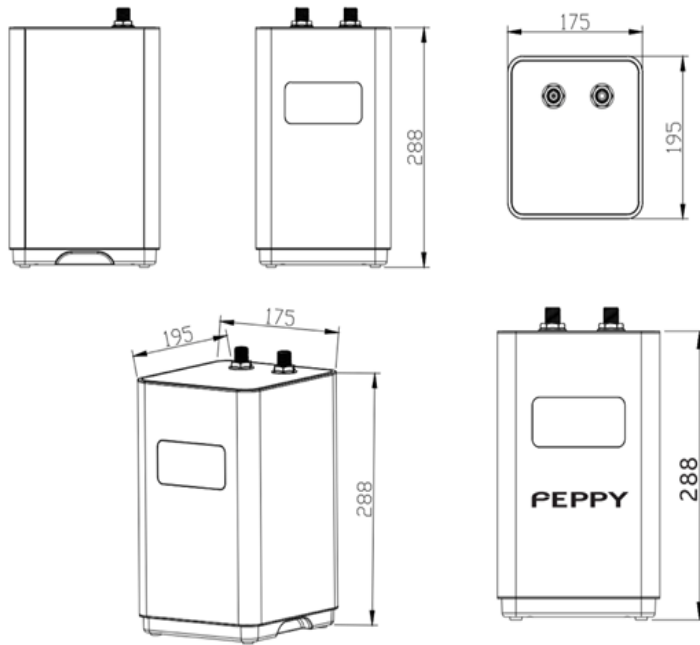
TAP DIMENSIONS



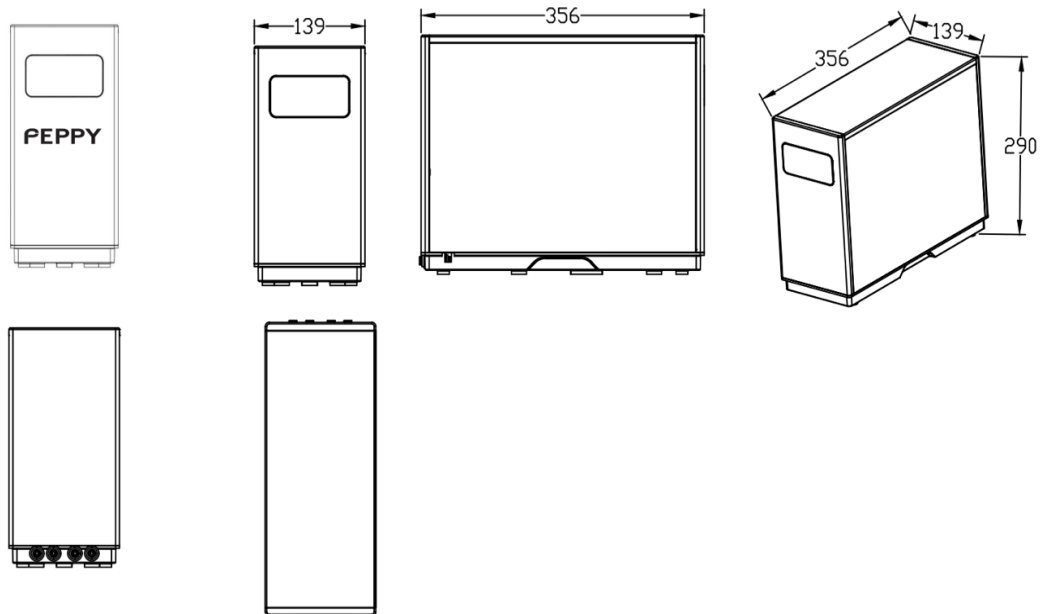
PRODUCT SPECIFICATION SHEET

PEPPY TAPS

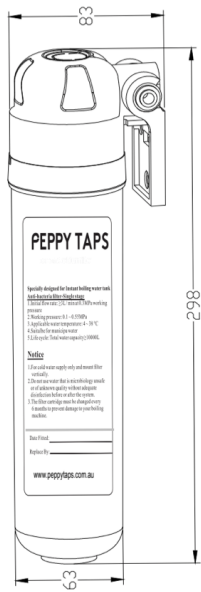
BOILER DIMENSIONS



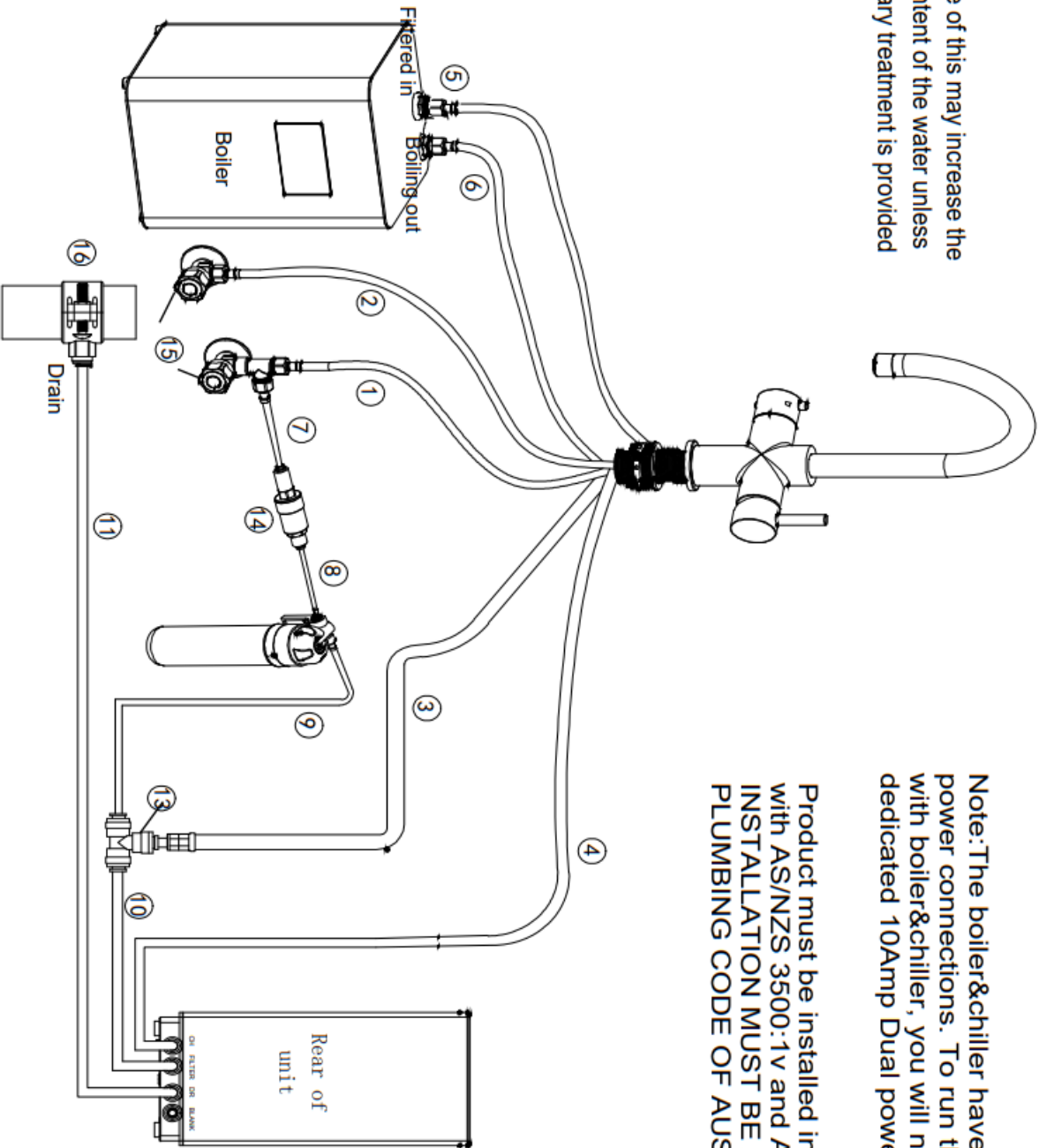
CHILLER DIMENSIONS



FILTER DIMENSIONS



Note:the use of this may increase the bacterial content of the water unless supplementary treatment is provided



Note:The boiler&chiller have dedicated power connections. To run the 4 in 1 tap with boiler&chiller, you will need a dedicated 10Amp Dual power point

Product must be installed in accordance with AS/NZS 3500:1v and AS/NZS 3500:2 INSTALLATION MUST BE AS THE PLUMBING CODE OF AUSTRALIA

No	Part Description	Qty	Size
A	TAP	1	
B	O-ring	1	Ø32
C	Rubber Washer ¹	1	47*32.5*3
D	Metal Washer	1	Ø32
E	Mounting nut	1	32*1.5
1	Cold flexible hose	1	M8*1-3/8"thread
2	Hot flexible hose	1	M8*1-1/2"thread
3	Hose from filter outlet to tap	1	M8*1-Ø1/4" quick fit
4	Hose from Chiller outlet to tap	1	M8*1-Ø1/4" quick fit
5	Hose from tap to boiler inlet	1	M8*1-3/8"thread
6	Hose from boiler outlet to tap	1	M8*1-3/8"thread
7	Hose from cold water supply to filter protective valve	1	3/8"thread-Ø1/4"quick fit
8	PE hose from filter protective valve to filter inlet	1	Ø1/4"
9	PE hose from filter outlet to T adaptor	1	Ø1/4"
10	PE hose from T adaptor to chill inlet	1	Ø1/4"
11	PE hose from chill drain to waste pipe	1	Ø1/4"
12	Three way connector	1	1/2"female*3/8"male*3/8"male
13	1/4" quick fit T-adaptor	1	Ø1/4" quick fit
14	Pressure Limiting Filter Protection Valve	1	
15	Neoperl flow limiter	2	
16	Saddle drain	1	

