

ANDANO400IFNK5

Stainless Steel Single Bowl Inset / Flushmount Sink



BLANCO



Model Code

ANDANO400IFNK5

Description

Single bowl inset or flushmount with overflow

Warranty

30 Year Warranty

Features

Benefits

Engineered in Germany

Over 90 years of Stainless Steel know-how make Blanco one of the world leaders in sink manufacturing, which translates to superior products for your home.

Inset flushmount installation

This elegant IF flat rim not only has an appealing flush fit but it makes it much easier to clean around the sink.

18/10 Surgical Grade Stainless Steel

Engineered from surgical grade stainless steel and with Blanco's satin finish, this sink is the ultimate food preparation area.

Large 30L capacity main bowl

Accommodates the largest of baking trays, woks and other bulky kitchen utensils.

Tight radius corners

The small radius maximises useable space in the bowl to allow for larger pots and pans. Also allows for easy cleaning.

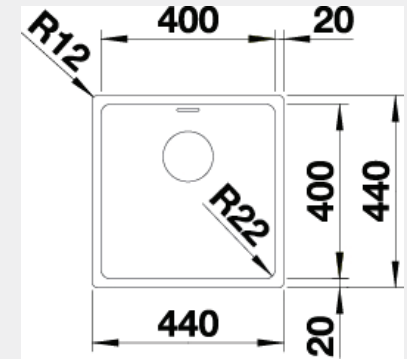
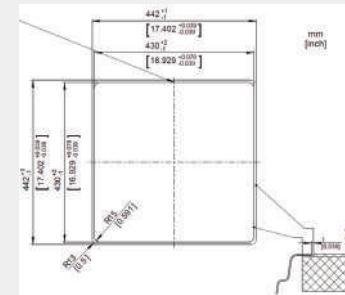
Broad range offering

Varying sizes available. You can create a design utilising just one bowl or a collection of bowls from the range.

Integrated overflow - Plumbing kit supplied

No overflowing of the main bowl, prevents damage to the kitchen.

Specifications



Method of Installation:	Inset/flushmount
Cabinet Size:	45cm
Overall Dimensions:	440w X 440d x 190h mm
Inset Cut-out:	430w x 430d mm (refer to CAD drawing on the website for corner radii)
Flushmount Cut-out	442w x 442d mm (refer to CAD drawing on the website for corner radii)
Bowl Depth:	190mm
Bowl Capacity:	30 Litres
Standard Inclusions:	Designer Wastes and Integrated Overflow
Optional Accessories:	ANDCUTGCB, BDRAINP, ANDDRAINSS, BUCRBSS, ANDCOLSS, BWCB, CAPFLOW
Mounting hole:	Ø35 mm tap hole required
Warranty:	30 years

Note: Measurements are within 2 - 3mm of factory tolerance. It is advisable to check dimensions of physical product when measuring for installations and before doing any cut outs.

*Due to continual product development the information provided is not final and may be subject to change.