

Allure

WG White Gloss
ALL-BS-360-WG-S

WM White Matt
ALL-BS-360-WM-U

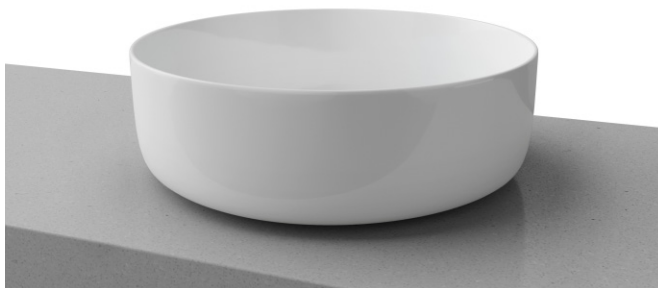
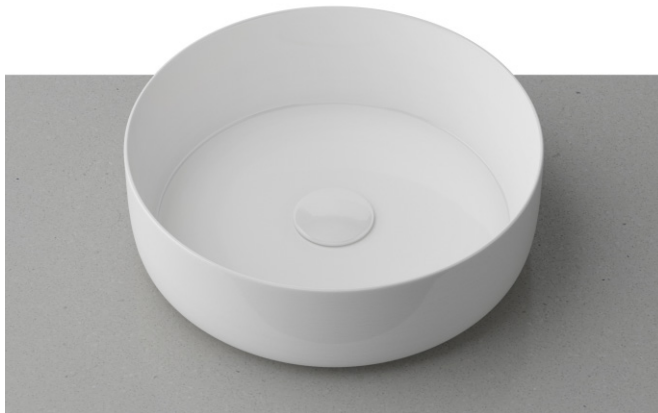
BM Black Matt
ALL-BS-360-BKM-U

ANT Anthracite
ALL-BS-360-ANT-U

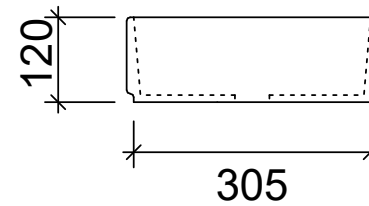
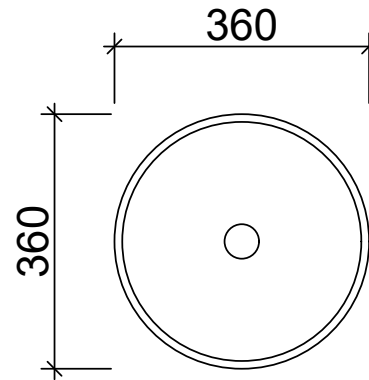
GM Grey Matt
ALL-BS-360-GM-U

LGM Light Grey Matt
ALL-BS-360-LGM-U

PM Pink Matt
ALL-BS-360-PM-U

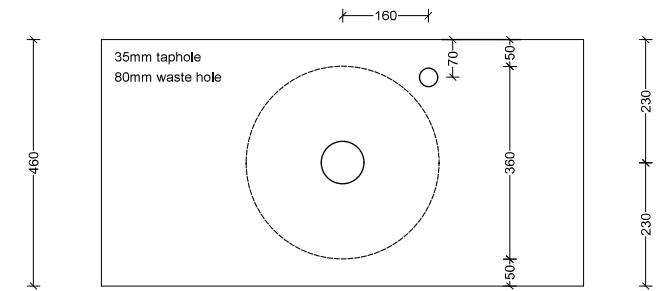


Above Counter

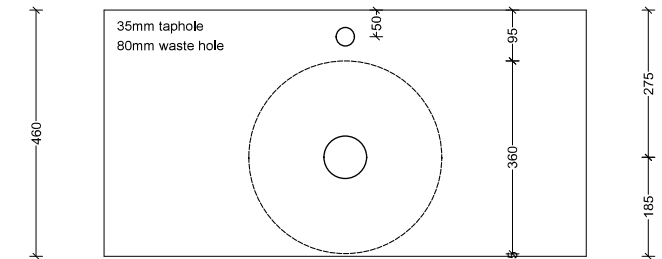


Drawings

Taphole Offset



Taphole Behind



Cut Out Specifications

Material: Ceramic
Approx Capacity: 8.5L
Cut Out Size: 80mm
Waste Size: 32mm without overflow

Note: Due to the manufacturing process, ceramic basins will vary from their nominal stated sizes. Use the dimensions provided as a guide only. Waste not included. Refer to brochure for pricing.